



---

## Public Notice

### The Purchasing of Condenser for CCR and ECR Room AC

**1. Scope of Supply**

Purchasing of Condenser for CCR and ECR Room AC

**2. Bidding Type**

- Domestic open bidding to select the lowest priced suppliers and evaluated by total price
- The quotation shall be submitted in one sealed envelope containing both the priced and unpriced proposals, addressed to Procurement Team, F&A Division PT. KPJB

**3. Requirement for Qualification of Bidder**

It is mentioned in document of INVITATION TO BID, Bidding Schedule of Purchasing of Condenser for CCR and ECR Room AC, Attachment 5.

**4. Aanwijzing will be held on 09.00 WIB, 13 May 2026 (via Zoom Application)**

Topic: RFQ K19395 for The Purchasing of Condenser for CCR and ECR Room AC

Time: May 13, 2026 09:00 AM Jakarta

Join Zoom Meeting

<https://us06web.zoom.us/j/89631455946?pwd=HfM55azO2b83FPJbKeeOTOkwEOScTu.1>

Meeting chat link

<https://us06web.zoom.us/jc/89631455946>

Meeting ID: 896 3145 5946

Passcode: 291948

**5. Bid Closing date and Time on 11.00 WIB, 2 June 2026**

**6. Invitation to Bid (ITB) and Additional Information**

- Invitation to Bid (ITB) document copy or soft file is available in website PT. KPJB ([www.kpjb.co.id](http://www.kpjb.co.id)); or
- Email : [procurement34@kpjb.co.id](mailto:procurement34@kpjb.co.id)

**7. Bid submission**

To : Procurement Team

**Finance & Administration Division (K19395)**

**PT. Komipo Pembangkitan Jawa Bali (KPJB)**

PLTU Tanjung Jati B Unit 3 & 4,

Desa Tubanan, Kecamatan Kembang,

Kabupaten Jepara, Jawa Tengah, Indonesia 59453

Tel : 0291-4270493, Fax : 0291-4270601



**8. Procedure for Submission Bid Document**

- The bidding document shall be submitted in a sealed envelope by registered mail or direct submission after KPJB security's check not later than the bid closing date and time.
- Document title shall be marked in the envelope as "Purchasing Condenser for CCR and ECR Room AC"

	<b>PT. KOMIPO PEMBANGKITAN JAWA BALI</b> <b>PLTU TANJUNG JATI B UNIT 3&amp;4</b>	Doc. Ref	: KPJB-0951-02
		Form No.	: KPJB-0951-02-ZZ-FM-16
	<b>TERM OF REFERENCE</b>	Design Div.	: Finance and Administration
		Revision No.	: 00

**1. Subject**

Condenser for CCR and ECR room AC

**2. Background**

The spare parts will be provided to equipment as follow:

Name : 00AC-K003&4

Type : Compatible with SAE 20.1 CHE (Surface Area 5.71 m<sup>2</sup>) and SAE 40.2 CHE (Surface Area 8.565 m<sup>2</sup>)

**3. Spare Part Data**

3.1. System : Air Conditioning

3.2. Equipment :

- Name : 00AC- K003A,B,C  
Type : Floor Moounted  
Load : 214 MBH
- Name : 00AC- K004A,B,C  
Type : Floor Moounted  
Load : 400 MBH

3.3. Spare Part Group :

- Overhaul
- PM & PdM
- Run to Failure
- Strategic Parts
- Strategic Equipment

3.4. Usage Plan :

For 00AC- K003A,B,C/K004A,B,C condenser replacement

3.5. Description :

Item to be purchased


No	Item ID	Description	Qty	Unit
1	224226	HEAT EXCHANGER, REFRIGERANT CONDENSER, SHELL AND TUBE TYPE, SHELL; PRESS: 300 PSIG, TEMP: 150 DEGC, FLUID: HFC,HCFC, TUBE; PRESS: 300 PSIG, TEMP: 50 DEGC, REFER TO DRAWING NO. KPJB-AC-K-02	3	pcs
2	224228	HEAT EXCHANGER, REFRIGERANT CONDENSER, SHELL AND TUBE TYPE, SHELL; PRESS: 300 PSIG, TEMP: 150 DEGC, FLUID: HFC,HCFC, TUBE; PRESS: 300 PSIG, TEMP: 50 DEGC, REFER TO DRAWING NO. KPJB-AC-K-03	3	pcs

**4. Work Scope**

Material supply

**5. CSMS Risk Level:**

- 1. Low
- 2. Moderate
- 3. High
- 4. Very High
- 5. Extreme

	<b>PT. KOMIPO PEMBANGKITAN JAWA BALI</b> <b>PLTU TANJUNG JATI B UNIT 3&amp;4</b>	Doc. Ref	: KPJB-0951-02
		Form No.	: KPJB-0951-02-ZZ-FM-16
	<b>TERM OF REFERENCE</b>	Design Div.	: Finance and Administration
		Revision No.	: 00

## 6. Bidder Qualification

Opened for all vendor.

## 7. Delivery of material and/or services

7.1. Required date is 15 August 2026

7.2. Delivery point is KPJB's Warehouse, PLTU Tanjung Jati B Unit 3&4, Jepara, Central Java.

## 8. Requirement of Documents

Within delivery the materials, supplier should submit documents as follow:

8.1. Electronic or manual COM issued by manufacturer.

8.2. Detail drawing include size and material

8.3. Manufacturing statement letter that the product has been designed and fabricated following ASME Section VIII Division 1 code

8.4. Run test log sheet for 3 days with at least per 6 hour record, in which later must indicate that the part was not undersized for particular equipment

## 9. Technical Specification

9.1. All of technical specification should be comply with determined specification, cannot be changed, no crack, should be new 100%, genuine, no defect, and can be installed and used properly.

9.2. In the case PT KPJB decline the delivered material, supplier should replace the material. If supplier can't replace it, they will be penalized in accordance to General Term & Condition (GTC) of the PO.

9.3. Other

- Compatible installed to Air Conditioning TRANE WCVS270&470
- For detail equipment data and spare part specification, see attachment 1
- To avoid in case any warranty issue later, vendor must install the part on the equipment, and test the part along with equipment
- Before part being installed, related equipment operation condition must be recorded with vendor standard log sheet for at least 1 day
- After part being installed, related equipment must be tested must be tested at least to obtain log sheet for 3 days with at least per 6 hour record with no malfunction record in which root caused by the supplied parts. Any disagreement on the root cause, can be resolved by using general HVAC troubleshooting reference or by mutual agreement between related parties (including PLN)

## 10. Acceptance Criteria

10.1. Delivery time is complied.

10.2. All delivered materials are accordance to PO requirement, specification and condition of the TOR.

10.3. All of required document are fulfilled.

10.4. Contractor standard commissioning report (point 8.4)


## 11. Standard of Quality




Quality of the material and/or services should comply with standard, code, manufacturer specification and user's requirement.

## 12. Warranty

12.1. Generally if there isn't mentioned at other clause, supplier should warrant the material for 1 year after material being receiving by PT. KPJB.

12.2. If the condenser does not meet the specified criteria, the vendor must replace it with a new item with the specified specifications.

	<b>PT. KOMIPO PEMBANGKITAN JAWA BALI PLTU TANJUNG JATI B UNIT 3&amp;4</b>	Doc. Ref	: KPJB-0951-02
		Form No.	: KPJB-0951-02-ZZ-FM-16
	<b>TERM OF REFERENCE</b>	Design Div.	: Finance and Administration
		Revision No.	: 00

Prepared by	Checked by	Approved by
		
<u>Dian Virgianto</u> Staff	<u>Agus Widodo</u> Turbine Leader	<u>Lim Hyung Chul</u> Mechanical Manager
Date :	Date :	Date :



# General Specification WCVS 270-12H

	WCVS 270	WCVS 330	WCVS 400	WCVS 470	WCVS 530	WCVS 600	WCVS 660	WCVS 730	WCVS 800	WCVS 900	WCVS 12H
<b>Performances (1)</b>											
Unit Capacity Step (%)	50-50	50-50	50-50	27-63-100	24-62-100	21-50-70-100	25-50-75-100	23-50-75-100	25-50-75-100	35-66-100	25-50-75-100
Total Compressor Power Input (kW)	13.2	18.3	22.3	25.5	29.2	32.1	33.9	41.2	45.2	57.0	77.0
Main power Supply						400/3/50					
Utilization Range						400V±10%					
Sound Power Level (at 1kHz) (dBA)	70	68	73	72	72	72	71	73	76	76	76
Compressor											
Number	2	2	2	3	3	4	4	4	4	3	4
Type	Scroll	Scroll	Scroll	Scroll	Scroll	Scroll	Scroll	Scroll	Scroll	Scroll	Scroll
Model	2X10T	2X15T	2X15T	1X10T+2X13T	1X10T+2X13T	2X10T+2X13T	2X13T+2X13T	2X13T+2X15T	2X15T+2X15T	3X25T	4X25T
Speeds Number											
Unit MCA Amps (4)	40	48	59	65	73	83	90	103	110	141	191
RLA / LRA (2)	2[14.4/130]	2[17.8/135]	2[21.3/175]	1[4.4/130]+2[17.8/135]	1[4.4/130]+2[21.3/175]	2[14.4/130]+2[17.8/135]	2x[17.8/135]	2[17.8/135]+2[21.3/175]	2x[21.3/175]	3(35/270)	4(35/270)
<b>Condenser Data</b>											
Water Connection Side	Shell & Tube Condenser										
Max. Flow Rate	2-1/2	2-1/2	2-1/2	2-1/2	2-1/2	2-1/2	2-1/2	2-1/2	2-1/2	2-1/2	2-1/2
Min Flow Rate	60/228	73/276	89/335	102/386	116/438	132/500	144/546	161/609	172/648	265/1003	338/1279
Max. Water Side Pressure	26/98	33/145	40/150	46/174	53/198	59/219	66/252	72/273	79/300	165/625	178/674
Evaporator Coil	300/2068	300/2068	300/2068	300/2068	300/2068	300/2068	300/2068	300/2068	300/2068	300/2068	300/2068
Configuration	Rows/FPI	3/12	3/12	3/12	3/12	4/12	4/12	4/12	4/12	4/12	4/12
Face Area	Sq. ft/m <sup>2</sup>	13.4/1.25	16.7/1.55	19.2/1.78	26.2/2.44	34.8/3.24	34.8/3.24	38/3.53	38/3.53	50/4.65	64/5.94
Tube Material	Tube Type	Copper	Copper	Copper	Copper	Copper	Copper	Copper	Copper	Copper	Copper
No. Of Circuits		1	1	2	2	2	2	2	2	2	2
Refrigerant Flow Control											
Drain Connection Size	in	1/4	1/4	1/4	1/4	1/4	1/4	1/4	1/4	1/4	1/4
Evaporator Fan/Motor											
Drive Type											
FLAIRA (each) (2)	8.4/41.7	8.4/41.7	11/82	11/82	11/82	15/104	15/104	22/153	22/153	28.1/192	38.7/265
No. of Motors	5/3.7	7.5/5.5	15/11	15/11	15/11	10/7.5	10/7.5	15/11	15/11	20/15	30/22
Hi. Static HP/KW	7.5/5.5	10/7.5	15/11	15/11	15/11	20/15	20/15	20/15	20/15	25/18.5	35/25
Diameter of Fan	in/mm	15.4/390	15.7/400	15.4/390	15.4/390	17.7/450	17.7/450	17.7/450	17.7/450	19.7/500	22/560
Width of Fan	in/mm	15.4/390	12.6/320	12.6/320	15.4/390	14.2/360	14.2/360	14.2/360	14.2/360	14.2/360	14.2/360
No. of Fans	1	1	1	2	2	2	2	2	2	2	2
Indoor Fan Type											
Air Qty - Max	cfm	7300	8900	10600	13800	16700	16700	21800	21800	39600	67281
- Min	cfm	4800	5900	7000	9100	11000	11000	14400	14400	26400	44854
Fan Motor Type											
Std. Fan Speed (Std. Factory Set)	900	850	900	900	900	760	760	760	760	760	583
@ ESP including filters in/Fominal CFM	1.1[16190]	1.1[17760]	1.1[19240]	1.0[110750]	0.9[112120]	1.4[13800]	1.5[15130]	1.3[16880]	1.1[18080]	1.2[24750]	1.2[33000]
Max. Allowable Fan RPM	1100	1100	1100	1200	1200	1000	1000	1000	1000	1000	1000
Filters	(2)15x20	(2)20x25	(2)15x20	(2)15x20	(2)15x20	(1)20x20(4)20x25	(1)20x20(4)20x25	(3)25x25	(3)25x25	(1)16x20	(1)16x20
Std. Washable (module 900, 12H, 2 Washable)	(2)20x20	(5)16x25	(2)16x25	(1)15x20	(3)25x25	(1)15x20	(1)15x20	(3)16x25	(3)16x25	(10)25x20(2)16x25	(10)16x25
Refrigerant Charge (3)	(1)20x25	(1)25x25	(1)25x25	(3)25x25	(3)25x25	(3)15x25(3)25x25	(3)15x25(3)25x25	(1)16x20	(1)16x20	(9)20x20(1)16x20	(10)25x25
Circuit 1	(kg)	14.6	16.8	16.8	16.8	16.8	16.8	16.8	16.8	27.0	27.0
Circuit 2	(kg)										
Circuit 3	(kg)										
Circuit 4	(kg)										
Dimensions [uncratted]											
Height	(mm)	1427	2040	2040	2040	2040	2040	2040	2040	2260	2519
Width	(mm)	1977	1975	1975	2255	2763	2763	2763	2763	3282	3577
Depth	(mm)	893	1078	1078	1078	1292	1292	1292	1292	1345	1500
App. operating Weight	(kg)	567	927	990	1226	1199	1584	1722	1730	1779	2046

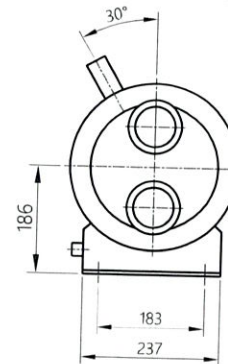
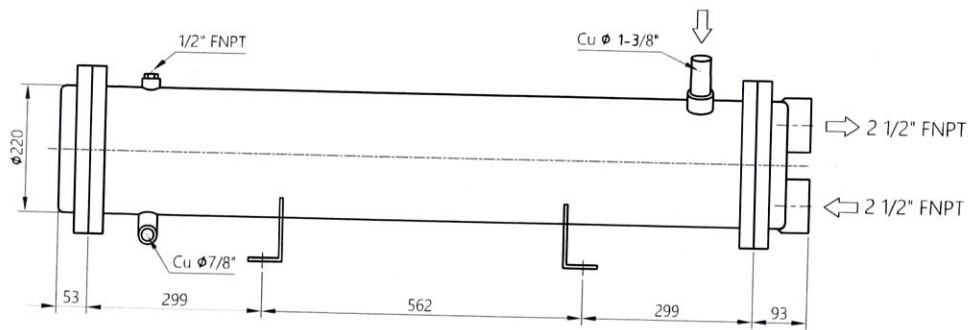
- Notes:**
- Gross Cooling Capacity based on 85/95 deg F [29.5-35C], EWT-LWT and 80/67 deg F [27/19C] on coil conditions & Nominal airflows.
  - RLA/LRA, FLA, MCA Rated at 400V
  - 1 inch Washable (270-800), 2 inch Washable (900-1200)
  - FLA rated at ARI-360 Conditions

### SPESIFICATION TABLE

FLUID ALLOCATION	SHELL SIDE	TUBE SIDE
FLUID NAME	R-407C	WATER
DESIGN PRESSURE	25,0 kgf/cm <sup>2</sup> (G)	8,5 kgf/cm <sup>2</sup> (G)
TEST PRESSURE	29,0 kgf/cm <sup>2</sup> (G)	12,8 kgf/cm <sup>2</sup> (G)
MAX. PRESSURE WORK	23,8 kgf/cm <sup>2</sup> (G)	9,4 kgf/cm <sup>2</sup> (G)
DESIGN TEMPERATURE	150 °C	50 °C
CORROSION ALLOWANCE	2,5 mm	0,3 mm
STRESS RELIEVED	NO	NO
RADIOGRAPHIC EXAM	NO	NO
JOINT EFFICIENCY	85 %	85 %
NO. OF PASS	1	4
VOLUME	0,19 m <sup>3</sup>	0,015 m <sup>3</sup>
SURFACE AREA	5,71 m <sup>2</sup>	

FLUID ALLOCATION	SHELL SIDE	TUBESIDE
FLUID NAME	R-407C	WATER
HEAT LOAD	119 kW	119 kW
INLET TEMPERATURE	85 °C	30 °C
OUTLET TEMPERATURE	43 °C	36 °C
MAX FLOW RATE	-	228 Lpm
MIN FLOW RATE	-	98 Lpm
DESUPERHEAT	23,65 kW	NO
SUBCOOLING HEAT	2,75 kW	NO



Note:  
must be compatible usage for AC TRANE WCVS 270

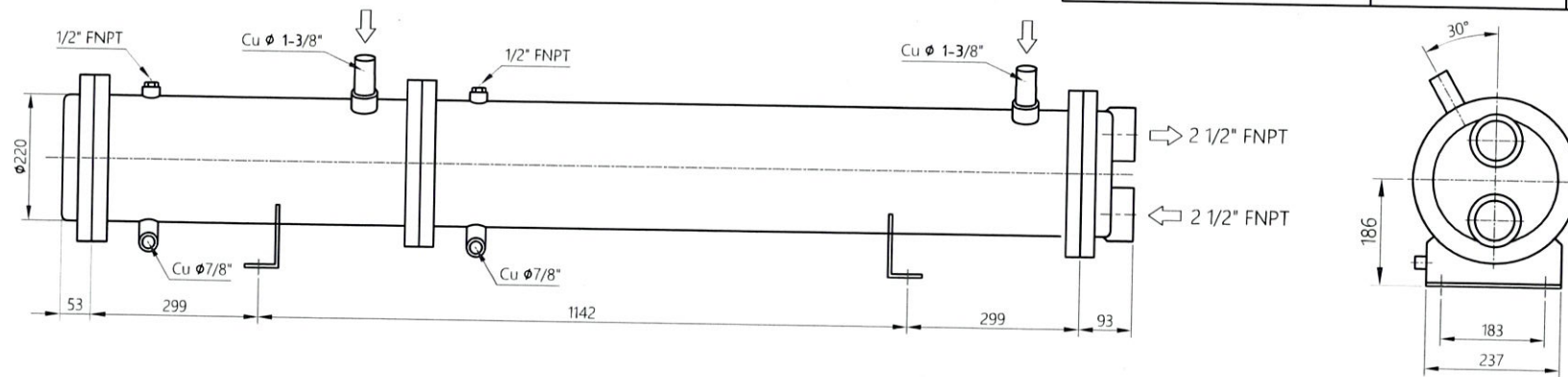
1	<b>SHELL AND TUBE CONDENSER</b> Merk/Type : SAEIKI / SAE 20.1 CHE Heat Rejection : 119 KW Refrigerant : R-407C	1 UNIT	-	-
NO	Description	QTY	Material	Remark
	CCR Air Conditioning Heat Exchanger	Scale :	Digambar	Dian
			Disetujui	Agus
	<b>KPJB</b>	Drawing No:	<b>KPJB-AC-K-02</b>	

### SPESIFICATION TABLE

FLUID ALLOCATION	SHELL SIDE	TUBE SIDE
FLUID NAME	R-407C	WATER
DESIGN PRESSURE	25,0 kgf/cm <sup>2</sup> (G)	8,5 kgf/cm <sup>2</sup> (G)
TEST PRESSURE	29,0 kgf/cm <sup>2</sup> (G)	12,8 kgf/cm <sup>2</sup> (G)
MAX. PRESSURE WORK	23,8 kgf/cm <sup>2</sup> (G)	9,4 kgf/cm <sup>2</sup> (G)
DESIGN TEMPERATURE	150 °C	50 °C
CORROSION ALLOWANCE	2,5 mm	0,3 mm
STRESS RELIEVED	NO	NO
RADIOGRAPHIC EXAM	NO	NO
JOINT EFFICIENCY	85 %	85 %
NO. OF PASS	1	4
VOLUME	0,285 m <sup>3</sup>	0,0225 m <sup>3</sup>
SURFACE AREA	8,565 m <sup>2</sup>	


  

FLUID ALLOCATION	SHELL SIDE	TUBESIDE
FLUID NAME	R-407C	WATER
HEAT LOAD	238 kW	238 kW
INLET TEMPERATURE	85 °C	30 °C
OUTLET TEMPERATURE	43 °C	36 °C
MAX. FLOWRATE	-	386 Lpm
MIN. FLOWRATE	-	174 Lpm
DESUPERHEAT	35,5 kW	NO
SUBCOOLING HEAT	4,12 kW	NO



1	<b>SHELL AND TUBE CONDENSER</b> Merk/Type : SAEIKI / SAE 20.1 CHE Heat Rejection : 238 KW Refrigerant : R-407C	1 UNIT	-	-
NO	Description	QTY	Material	Remark
	ECR Air Conditioning Heat Exchanger	Scale :	Digambar	Dian
			Disetujui	Agus
	<b>KPJB</b>	Drawing No:	<b>KPJB-AC-K-03</b>	

Note:  
must be compatible usage for AC TRANE WCVS 470

	<b>PT. KOMIPO PEMBANGKITAN JAWA BALI</b>	Doc. Ref	: KPJB-0951-02
	<b>PLTU TANJUNG JATI B #UNIT 3&amp;4</b>	Form No.	: KPJB-0951-02-ZZ-FM-03
	<b>REQUEST FOR QUOTATION</b>	Design Div.	: Finance and Administration
		Revision No.	: 00

Date	RFQ No:	PRF No:
May 7, 2026	K19395	K19395
SUBJECT : The Purchasing of Condenser for CCR and ECR Room AC		

KPJB on behalf of PT. PLN hereby request your quotation for material/services below :

No	Item Code	Description	No		Item Code
			Qty	Unit	

As per the attachment

- The quotation shall be submitted in one sealed envelope containing both the priced and unpriced proposals, addressed to Procurement Team, F&A Division PT. KPJB. The original documents should be received by KPJB not later than 11.00 WIB date 02 JUN 2026 by registered mail or direct submission after PLTU Tanjung Jati B security check and registration.
- Aanwijzing will be held in KPJB on 13 MAY 2026 .
- Validity of Quotation price should be minimum 3 months.
- Prices and detailed information should be specified about the materials and services in the quotation by strictly following the quotation form attached hereto.
- Payment will be made by Telegraphic Transfer (T/T) within forty five (45) days after invoice received, attached with delivery or work completion report (Invoice, Good receive form, MOV, BAPP, etc.) issued by PT. KPJB.
- Performance Bond is applicable for PO  $\geq$  IDR 500.000.000: minimum 5% from PO price including VAT. Validity of Bank Guarantee is covering delivery period + 130 calendar days.
- Warranty period is 12 months (365 calendar days).
- **Delivery time: not later than August 15, 2026**
- **Delivery should be completed to PT. KPJB's warehouse, PLTU Tanjung Jati B Unit #3&4.**
- **Certificate should be submitted at the delivery time: Certificate of Manufacture** issued by manufacture and Detail Drawing include Size & Material and Manufacturing Statement Letter that The Product has been Designed & Fabricated Following ASME section VIII Division 1 code and Run Test Log Sheet for 3 Days with at least per 6 hour record, in which later must indicate that the part was not underized for particular equipment are **required at the delivery time.**
- Warranty letter that state "The material is genuine, no defect, new and can be used properly" should be submitted at the time of delivery.
- All documents and communications shall be in English.
- All terms and conditions of this contract must be subject to and governed by PT. KPJB's Terms and Conditions for Contract attached hereto.
- In case of hazardous material, Material Safety Data Sheets (MSDS) and other related document for hazardous material shall be submitted at the time of delivery.
- For hand powered tools / powered tools: must be attached with tools certificate from manufacturer.
- For chemicals: All material delivery must be completed with symbol & label as required on regulation in every containers/other packaging.
- For service: All personnel must have appropriate certification as required on local HSE Regulation.

Sincerely Yours,

  
**Hendang Suroso**  
 F&A. Manager

Date

Attachment :


1. Material list
2. Quotation format
3. Unprice document required
4. KPJB Contractor Safety Rules
5. PT. KPJB's General Terms and Conditions for Contract
6. Pakta Integritas Form
7. DPJT list and Bid Bond format
8. Term of Reference

	<b>PT. KOMIPO PEMBANGKITAN JAWA BALI</b>	Doc. Ref	: KPJB-0951-02
	<b>PLTU TANJUNG JATI B #UNIT 3&amp;4</b>	Form No.	: KPJB-0951-02-ZZ-FM-03
	<b>REQUEST FOR QUOTATION</b>	Design Div.	: Finance and Administration
		Revision No.	: 00

Attachment 1: RFQ No. K19395

### MATERIAL LIST

Item No	Item Code	Description	Quantity	
			Order	Unit
1	224226/	HEAT EXCHANGER, REFRIGERANT CONDENSER, SHELL AND TUBE TYPE, SHELL; PRESS: 300 PSIG, TEMP: 150 DEGC, FLUID: HFC,HCFC, TUBE; PRESS: 300 PSIG, TEMP: 50 DEGC, REFER TO DRAWING NO. KPJB-AC-K-02	3,00	PC
2	224228/	HEAT EXCHANGER, REFRIGERANT CONDENSER, SHELL AND TUBE TYPE, SHELL; PRESS: 300 PSIG, TEMP: 150 DEGC, FLUID: HFC,HCFC, TUBE; PRESS: 300 PSIG, TEMP: 50 DEGC, REFER TO DRAWING NO. KPJB-AC-K-03	3,00	PC

	<b>PT. KOMIPO PEMBANGKITAN JAWA BALI</b>	Doc. Ref	: KPJB-0951-02
	<b>PLTU TANJUNG JATI B #UNIT 3&amp;4</b>	Form No.	: KPJB-0951-02-ZZ-FM-03
	<b>REQUEST FOR QUOTATION</b>	Design Div.	: Finance and Administration
		Revision No.	: 00

Attachment 2: RFQ No. K19395  
Quotation format  
A. Price Quotation

<COMPANY LOGO>

**Quotation**  
**No:**


Item No	Item Code	Description	Quantity		Price (IDR)	
			Order	Unit	Unit Price	Total
1	224226/	HEAT EXCHANGER, REFRIGERANT CONDENSER, SHELL AND TUBE TYPE, SHELL; PRESS: 300 PSIG, TEMP: 150 DEGC, FLUID: HFC,HCFC, TUBE; PRESS: 300 PSIG, TEMP: 50 DEGC, REFER TO DRAWING NO. KPJB-AC-K-02	3,00	PC		
2	224228/	HEAT EXCHANGER, REFRIGERANT CONDENSER, SHELL AND TUBE TYPE, SHELL; PRESS: 300 PSIG, TEMP: 150 DEGC, FLUID: HFC,HCFC, TUBE; PRESS: 300 PSIG, TEMP: 50 DEGC, REFER TO DRAWING NO. KPJB-AC-K-03	3,00	PC		
		<b>TOTAL</b>				
		<b>VAT 11%</b>				
		<b>GRAND TOTAL</b>				

..... rupiah (Please mention the price in words)

Term and Conditions:

1. The above price are included delivery cost to warehouse of PT. KPJB
2. Please mention Certificate is required at the delivery time
3. Payment will be made by Telegraphic Transfer (T/T) within forty five (45) days after invoice received, attached with delivery or work completion report issued by PT.KPJB.
4. Please mention Bank Account that will be use for payment (including Bank Name, Bank Address)
5. Please mention Name of Director

Place, [Month] [Date] [Year]  
SIGN & COMPANY STAMP  
DUTY STAMP / MATERAI (10000)  
Name  
(Title)

	<b>PT. KOMIPO PEMBANGKITAN JAWA BALI</b>	Doc. Ref	: KPJB-0951-02
	<b>PLTU TANJUNG JATI B #UNIT 3&amp;4</b>	Form No.	: KPJB-0951-02-ZZ-FM-03
	<b>REQUEST FOR QUOTATION</b>	Design Div.	:Finance and Administration
		Revision No.	:00

B. Unpriced Quotation

<COMPANY LOGO>

**Quotation**

**No:**

Item No	Item Code	Description	Quantity		Delivery Time
			Order	Unit	
1	224226/	HEAT EXCHANGER, REFRIGERANT CONDENSER, SHELL AND TUBE TYPE, SHELL; PRESS: 300 PSIG, TEMP: 150 DEGC, FLUID: HFC,HCFC, TUBE; PRESS: 300 PSIG, TEMP: 50 DEGC, REFER TO DRAWING NO. KPJB-AC-K-02	3,00	PC	
2	224228/	HEAT EXCHANGER, REFRIGERANT CONDENSER, SHELL AND TUBE TYPE, SHELL; PRESS: 300 PSIG, TEMP: 150 DEGC, FLUID: HFC,HCFC, TUBE; PRESS: 300 PSIG, TEMP: 50 DEGC, REFER TO DRAWING NO. KPJB-AC-K-03	3,00	PC	

Term and Conditions:

1. The above price are included delivery cost to warehouse of PT. KPJB
2. Please mention Certificate is required at the delivery time
3. Payment will be made by Telegraphic Transfer (T/T) within forty five (45) days after invoice received, attached with delivery or work completion report issued by PT.KPJB.
4. Please mention Bank Account that will be use for payment (including Bank Name, Bank Address)
5. Please mention Name of Director

Place, [Month] [Date] [Year]  
SIGN & COMPANY STAMP

Name  
(Title)

	PT. KOMIPO PEMBANGKITAN JAWA BALI	Doc. Ref	: KPJB-0951-02
	PLTU TANJUNG JATI B #UNIT 3&4	Form No.	: KPJB-0951-02-ZZ-FM-03
	REQUEST FOR QUOTATION	Design Div.	: Finance and Administration
		Revision No.	: 00

Attachment 3: RFQ No. K19395

**(KOP PERUSAHAAN/BADAN/LEMBAGA)**

**PAKTA INTEGRITAS**

Saya yang bertanda tangan di bawah ini, dalam rangka Pengadaan ..... (*diisi Nama Pengadaan*) dengan nomor ..... (*diisi nomor RFQ/PR*), pada satuan kerja PT KPJB yang dalam hal ini mewakili PT PLN (Persero) Unit Induk Pembangkitan Tanjung Jati B Jepara dengan ini menyatakan bahwa saya:

1. Akan mentaati peraturan tentang Pedoman Pengadaan Barang/Jasa di Lingkungan PT KPJB dan PT PLN (Persero), dan peraturan perundang-undangan yang terkait dengan pengadaan;
2. Tidak akan melakukan persengkokolan/pengaturan/kerjasama diantara para Peserta Pengadaan/Jasa lain dan/atau Pengguna Barang/Jasa dan/atau Pelaksana Pengadaan yang dapat mengakibatkan terjadinya persaingan usaha tidak sehat;
3. Mendukung prinsip **4 NO's** yang dijunjung tinggi oleh PT KPJB dan PT PLN (Persero) yaitu:
  - a. **No Bribery** (tidak boleh ada suap menyuap dan pemerasan)
  - b. **No Kickback** (tidak boleh ada komisi, tanda terimakasih baik dalam bentuk uang dan dalam bentuk lainnya);
  - c. **No Gift** (tidak boleh ada hadiah atau gratifikasi yang bertentangan dengan peraturan
  - d. **No Luxirious Hospitality** (tidak boleh ada penyambutan dan jamuan yang berlebihan).
4. Tidak akan melakukan komunikasi yang mengarah dan/atau melakukan praktek Korupsi, Kolusi dan Nepotisme (KKN)
5. Akan melakukan proses pengadaan secara bersih dan transparan agar menghasilkan pekerjaan sesuai ketentuan peraturan perundang-undangan yang berlaku.

Apabila saya melanggar hal-hal yang telah saya nyatakan dalam Pakta Integritas ini, saya bersedia dikenakan sanksi sesuai dengan ketentuan peraturan perundang-undangan yang berlaku.

\_\_\_\_\_ [Tempat], \_\_\_\_\_ [Tanggal]

[Tanda Tangan & Cap Perusahaan & Materai 10.000]

\_\_\_\_\_ [Nama Jelas]

\_\_\_\_\_ [Jabatan]

	PT. KOMIPO PEMBANGKITAN JAWA BALI	Doc. Ref	: KPJB-0951-02
	PLTU TANJUNG JATI B #UNIT 3&4	Form No.	: KPJB-0951-02-ZZ-FM-03
	REQUEST FOR QUOTATION	Design Div.	: Finance and Administration
		Revision No.	: 00

Attachment 4: RFQ No. K19395

**(KOP PERUSAHAAN/BADAN/LEMBAGA)**

### SURAT PERNYATAAN KEASLIAN DOKUMEN

Yang bertanda tangan di bawah ini :

Iama :  
 Jabatan :  
 Alamat :

Sehubungan dengan pekerjaan :

Judul Pekerjaan :  
 RFQ No. :

Menyatakan dengan sesungguhnya bahwa segala dokumen yang kami sampaikan adalah benar dan apabila dikemudian hari ditemukan bahwa dokumen – dokumen yang telah kami sampaikan tidak benar dan ada pemalsuan, maka kami bersedia dikenakan sanksi sesuai peraturan perundang – undangan yang berlaku.

\_\_\_\_\_ [Tempat], \_\_\_\_\_ [Tanggal]

[Tanda Tangan & Cap Perusahaan & Materai 10.000]

\_\_\_\_\_ [Nama Jelas]

\_\_\_\_\_ [Jabatan]

	<b>PT. KOMIPO PEMBANGKITAN JAWA BALI</b>	Doc. Ref	: KPJB-0951-02
	<b>PLTU TANJUNG JATI B #UNIT 3&amp;4</b>	Form No.	: KPJB-0951-02-ZZ-FM-03
	<b>REQUEST FOR QUOTATION</b>	Design Div.	: Finance and Administration
		Revision No.	: 00

Attachment 5: RFQ No. K19395

### Unprice Document Required

No.	Syarat Administrasi (Administration Requirement)
<b>A.</b>	
1	Asli Surat Penawaran (Original Unprice quotation) yang: 1. Description sesuai permintaan 2. Bertanggal (dated) 3. Bertanda tangan dan Cap Perusahaan (Company stamped) 4. Menyebutkan waktu pengiriman sampai gudang sesuai permintaan (Time Delivery)
2	Pengalaman Pekerjaan dengan total harga kontrak senilai minimal IDR 250.000.000 – <b>menyerahkan copy kontrak atau PO</b> (Work Experience for contract amount minimum IDR 250.000.000 – <b>submitting the copy of the contract or PO</b> )
3	Copy pembayaran pajak SSP (PPN) 3 bulan terakhir periode: January, February, March 2026 (Copy of 3 month payment tax period of: January, February, March 2026)
4	Original Pakta Integritas
5	Original Bid bond 1% up to 3% from price quotation (including VAT) with the validity until <b>02 SEP 2026</b> . - Bid bond should be issued by Bank based on DPJT list and format issued by PLN - Beneficiary of Bid bond to: PT. Perusahaan Listrik Negara (Persero) UIK Tanjung Jati B Desa Tubanan, Kecamatan Kembang, Jepara Jaminan Penawaran asli 1% sampai dengan 3% dari Penawaran Harga (termasuk PPn) dengan validitas sampai dengan <b>02 SEP 2026</b>
6	Surat Pernyataan Keaslian Dokumen
7	Vendor participants must have registered CSMS Certificate (minimum: Low Risk Level) issued by PT. PLN (Persero) - submitting the copy of the document
<b>B.</b>	
1	Copy Surat Ijin Usaha Perusahaan – SIUP / BKPM (PMA) (copy of Business License )
2	Copy Surat Ijin Tempat Usaha – SITU / DOMISILI / HO (Copy of Domicile Certificate)
3	Copy Nomor Pokok Wajib Pajak - NPWP (Copy Tax ID number of company)
4	Copy Surat Pengukuhan Perusahaan Kena Pajak - SPPKP (Copy of Taxable Company Certificate)
5	Copy Tanda Daftar Perusahaan – TDP / NIB (Copy of Certificate Company Registration)
6	Copy Akte pendirian perusahaan/perubahan *jika ada (Deed of Incorporation)

**Note: Administration Requirement point B 1-6 is not required to be submitted if your company already registered in our SAP and the Company data submitted still valid until closing time. If any document not submitted by the suppliers or the submitted document do not meet the requirement, we will regard that the supplier fails and we will not open the price quotation document (price evaluation)**

*Catatan: Syarat Administrasi no. B 1-6 tidak perlu di kirimkan jika perusahaan anda sudah terdaftar di SAP kami dan data yang dahulu di kirimkan masih berlaku sampai dengan waktu penutupan bidding. Jika ada dokumen yang tidak diserahkan atau dokumen yang diserahkan tidak sesuai dengan persyaratan, kami akan menganggap bahwa supplier gagal dan kami tidak akan membuka dokumen penawaran harga (evaluasi harga).*

**DAFTAR PENERBIT JAMINAN TERSELEKSI  
PENGADAAN BARANG/JASA DI LINGKUNGAN PT PLN (PERSERO)**

KLASIFIKASI	BATASAN NILAI KONTRAK	PENERBIT JAMINAN	BERLAKU SAMPAI DENGAN
I	TDAK ADA BATASAN NILAI KONTRAK	PT Bank Central Asia Tbk	30 Oktober 2028
		PT Bank Danamon Indonesia Tbk	30 Oktober 2028
		PT Bank Syariah Indonesia Tbk	30 Oktober 2028
		PT Bank Permata Tbk	30 Oktober 2028
		PT Bank SMBC Indonesia Tbk	30 Oktober 2028
		PT Bank OCBC NISP Tbk	30 Oktober 2028
		PT Bank UOB Indonesia	30 Oktober 2028
		PT Bank Rakyat Indonesia (Persero) Tbk	02 November 2028
		PT Bank Tabungan Negara (Persero) Tbk	12 Januari 2029
		PT Bank Mandiri (Persero) Tbk	26 Januari 2029
		PT Bank Negara Indonesia (Persero) Tbk	26 Januari 2029
II	NILAI KONTRAK ≤ Rp1 TRILIUN	Bank HSBC Indonesia	12 Januari 2029
		Lembaga Pembiayaan Ekspor Indonesia	13 Januari 2029
		PT Bank Maybank Indonesia Tbk	26 Januari 2029
III	NILAI KONTRAK ≤ Rp150 MILIAR	PT Bank ICBC Indonesia	30 Oktober 2028
		Bank Of China (Hongkong) Cabang Jakarta	30 Oktober 2028
		MUFG Bank Ltd Cabang Jakarta	30 Oktober 2028
		PT Bank KEB Hana Indonesia	12 Januari 2029

Jakarta, 28 Januari 2026

**PT PLN (PERSERO)**

**DIREKTUR KEUANGAN**



**SINTHYA ROESLY**

## 1. BANK GARANSI - JAMINAN PENAWARAN

### BANK GUARANTEE BID BOND

\_\_\_\_\_ [number]  
\_\_\_\_\_ [places & dated]

To:

PT PLN (Persero)

\_\_\_\_\_ [address]

PT \_\_\_\_\_ [name of Guarantor], having its registered office at \_\_\_\_\_ [address] (hereinafter referred to as the "**Guarantor**"), hereby unconditionally and irrevocably issues this guarantee in favour of \_\_\_\_\_ [name of applicant] having its registered office at \_\_\_\_\_ [address] (hereinafter refer as the "**Principal**"), for the favour of PT PLN (Persero) having its registered office at \_\_\_\_\_ (hereinafter refer as the "**Beneficiary**"), for the payment of an amount not exceeding \_\_\_\_\_ (in words: \_\_\_\_\_), in the event that the Principal has failed to fulfill its obligations in accordance with the condition stated in the Bid Document \_\_\_\_\_ no \_\_\_\_\_ date \_\_\_\_\_ [Bid Document] ("**Bid Document**") for the Project of \_\_\_\_\_ [name of Project]. This guarantee also covers the Principal's failure to extend the validity period of this Bank Guarantee in accordance with the provisions of the Bid Document and/or as requested by the Beneficiary.

This Bank Guarantee is issued with the following provisions:

1. This Bank Guarantee shall be effective on and as of the date of \_\_\_\_\_ until \_\_\_\_\_ ("**Expiry Date**").

### BANK GARANSI JAMINAN PENAWARAN

\_\_\_\_\_ [nomor]  
\_\_\_\_\_ [tempat & tanggal]

Kepada:

PT PLN (Persero)

\_\_\_\_\_ [alamat]

PT \_\_\_\_\_ [nama Penerbit Jaminan] berkedudukan di \_\_\_\_\_ [alamat], (selanjutnya disebut "**Penerbit Jaminan**"), dengan ini secara tanpa syarat dan tidak dapat ditarik kembali (*irrevocably*) memberikan jaminan kepada \_\_\_\_\_ [nama Penyedia Barang/Jasa] yang beralamat di \_\_\_\_\_ (selanjutnya disebut "**Pihak Terjamin**"), untuk dan demi kepentingan PT PLN (Persero) yang beralamat di \_\_\_\_\_ (untuk selanjutnya disebut sebagai "**Penerima Jaminan**"), atas pembayaran sejumlah uang sebesar maksimum \_\_\_\_\_ (terbilang: \_\_\_\_\_), apabila Pihak Terjamin melakukan wanprestasi dan/atau gagal untuk memenuhi kewajibannya sebagaimana dinyatakan dalam Dokumen Penawaran \_\_\_\_\_ nomor \_\_\_\_\_ tanggal \_\_\_\_\_ [Dokumen Penawaran] ("**Dokumen Penawaran**") untuk \_\_\_\_\_ [nama proyek]. Jaminan ini juga mencakup kegagalan Pihak Terjamin dalam memperpanjang masa berlaku Bank Garansi ini sesuai dengan ketentuan dalam Dokumen Penawaran dan/atau permintaan dari Penerima Jaminan.

Bank Garansi ini diterbitkan dengan ketentuan-ketentuan sebagai berikut:

1. Bank Garansi ini berlaku efektif sejak tanggal \_\_\_\_\_ dan akan berakhir pada tanggal \_\_\_\_\_ ("**Tanggal Jatuh Tempo**").

- |  |  |
|--|--|
| <p>2. Claim Payment shall be made without requiring the consent of the Principal and shall be affected upon the Beneficiary's submission of a Claim Payment Demand Letter to the Guarantor, stating that the Principal has committed a breach and/or failed to fulfill its obligations. The Beneficiary shall include in such submission the amount claimed and enclose the original Bank Guarantee document together with the said demand letter. In the event that the Bank Guarantee document has been amended or modified, the Beneficiary may submit only the latest version of such amendment or modification.</p> | <p>2. Pembayaran Klaim dilakukan tanpa memerlukan persetujuan Pihak Terjamin, dan dilaksanakan setelah Penerima Jaminan menyampaikan Surat Pengajuan Pembayaran Klaim kepada Penerbit Jaminan yang menyatakan bahwa Pihak Terjamin telah melakukan tindakan wanprestasi/gagal memenuhi kewajibannya. Dalam pengajuan tersebut, Penerima Jaminan wajib mencantumkan jumlah pembayaran yang diminta untuk dibayarkan serta melampirkan dokumen asli Bank Garansi bersama dengan surat pengajuan dimaksud. Dalam hal terdapat perubahan atau amandemen terhadap dokumen Bank Garansi, Penerima Jaminan dapat melampirkan hanya dokumen perubahan atau amandemen terakhir.</p> |
| <p>3. The Claim Payment Request Letter submitted by the Beneficiary may be delivered either in physical form bearing a wet signature or in digital form bearing an electronic signature, in accordance with the applicable laws and regulations.</p>   | <p>3. Surat Pengajuan Pembayaran Klaim yang disampaikan oleh Penerima Jaminan dapat disampaikan dalam bentuk fisik yang ditandatangani secara manual (tanda tangan basah) maupun dalam bentuk digital yang ditandatangani secara elektronik sesuai dengan ketentuan peraturan perundang-undangan yang berlaku.</p>   |
| <p>4. The Claim Payment Request must be submitted no later than within fourteen (14) Business Days from the Expiry Date of the Bank Guarantee. In the event that such Expiry Date falls on a Public Holiday, the calculation of the fourteen (14) Business Days shall commence on the first Business Day following the said Public Holiday.</p>  | <p>4. Permohonan Pembayaran Klaim harus diajukan paling lambat dalam jangka waktu 14 (empat belas) Hari Kerja terhitung sejak tanggal jatuh tempo Bank Garansi. Apabila tanggal jatuh tempo tersebut bertepatan dengan Hari Libur, maka perhitungan jangka waktu 14 (empat belas) Hari Kerja dimulai sejak Hari Kerja pertama setelah Hari Libur dimaksud.</p>   |
| <p>5. The Claim Payment Demand Letter from the Beneficiary must be submitted in the Indonesian language and may be addressed to the Guarantor's head office or any of its branch offices.</p>  | <p>5. Surat Pengajuan Pembayaran Klaim dari Penerima Jaminan harus disampaikan dalam Bahasa Indonesia dan dapat ditujukan ke kantor pusat atau kantor cabang manapun milik Penerbit Jaminan.</p>   |
| <p>6. The Guarantor shall be obligated to make payment to the Beneficiary for the amount referred to above promptly and no later than</p>  | <p>6. Penerbit Jaminan berkewajiban untuk melakukan pembayaran kepada Penerima Jaminan atas jumlah yang dimaksud di</p>  |

fifteen (15) Calendar Days from the date of the Claim Payment Demand Letter submitted by the Beneficiary.

7. The Claim Payment shall be **final and unconditional**, and must be fulfilled notwithstanding any claims, objections, or requests made by the Principal or any other party.
8. The Claim Payment shall be made to the bank account designated by the Beneficiary in the Claim Payment Demand Letter, in full and without any deductions, and free and clear of any taxes, levies, charges, or other withholdings whether currently applicable or imposed in the future. Such bank account may be held with a bank other than the Guarantor's bank.
9. The Guarantor shall be obligated to submit written evidence of the Claim Payment to the Beneficiary no later than one (1) Business Day following the execution of the Claim Payment, in the form of a copy of the transfer receipt or a valid payment instruction issued by the executing bank.
10. The Bank Guarantee shall terminate upon the occurrence of any of the following events, whichever occurs first:
  - a. On Expiry Date;
  - b. When there is no remaining amount payable under the Bank Guarantee; or
  - c. When the Beneficiary expressly releases the Guarantor in writing from all obligations arising under this Bank Guarantee.
11. The Beneficiary shall be entitled to make a demand for Claim Payment for an amount less than the total amount stated in the Bank Guarantee (partial demand), and may also

atas, segera dan selambat-lambatnya dalam jangka waktu 15 (lima belas) Hari Kalender terhitung sejak tanggal Surat Pengajuan Pembayaran Klaim yang diajukan oleh Penerima Jaminan.

7. Pembayaran Klaim adalah bersifat **final dan tanpa syarat (*unconditional*)**, serta tetap wajib dilaksanakan meskipun terdapat tuntutan, keberatan, atau permohonan dari Pihak Terjamin maupun dari pihak lain manapun.
8. Pembayaran Klaim dilakukan ke rekening bank yang ditetapkan oleh Penerima Jaminan pada Surat Pengajuan Pembayaran Klaim, secara penuh dan tanpa potongan, serta bebas dari segala bentuk pajak, pungutan, biaya, atau pemotongan lainnya baik yang berlaku saat ini maupun di kemudian hari. Rekening bank dimaksud dapat berada pada bank yang berbeda dengan Penerbit Jaminan.
9. Penerbit Jaminan wajib menyampaikan bukti Pembayaran Klaim secara tertulis kepada Penerima Jaminan paling lambat 1 (satu) Hari Kerja setelah pelaksanaan Pembayaran Klaim, berupa salinan bukti transfer atau instruksi pembayaran yang sah dari Bank Pelaksana.
10. Bank Garansi akan berakhir pada saat terjadi salah satu dari keadaan berikut, manapun yang terjadi lebih dahulu:
  - a. Pada Tanggal Jatuh Tempo;
  - b. Apabila tidak terdapat lagi sisa nilai yang dapat dibayarkan berdasarkan Bank Garansi; atau
  - c. Apabila Penerima Jaminan secara tertulis membebaskan Penerbit Jaminan dari seluruh kewajiban yang timbul berdasarkan Bank Garansi ini.
11. Penerima Jaminan berhak mengajukan Pembayaran Klaim dengan nilai yang lebih rendah dari nilai nominal yang tercantum dalam Bank Garansi (*partial demand*),

submit more than one Claim Payment demand (multiple demand).

12. This Bank Guarantee is non-transferable and/or cannot be transferred to another party.

13. This Bank Guarantee cannot be amended, revoked, terminated, or cancelled unless such action has been approved by Beneficiary in written consent or as expressly required by the Beneficiary to the Principal.

14. Any and all expenses arising from the issuance of this Bank Guarantee, including those associated with any extension and/or amendment thereof (if applicable), shall be the sole responsibility of the Principal.

15. With reference to Article 1832 of Indonesian Civil Code (Kitab Undang-Undang Hukum Perdata), the Guarantor hereby relinquish/waives its privileges/rights granted by law to claim/demand on asset belonging to the Principal and/or bound as collateral be confiscated, seized or sold in advance for the discharge of Principal debts as stipulated under Article 1831 of Indonesian Civil Code.

16. This Bank Guarantee shall be governed by and construed in accordance with laws and regulations applicable in Indonesia.

17. In relation to the enforcement of this Bank Guarantee and all legal consequences arising therefrom, the Guarantor hereby elects the Court of \_\_\_\_\_ [*domicile of court*] as general and permanent domicile.

18. Any term in this Bank Guarantee that begins with a capital letter shall have the meaning assigned to it under the Cooperation

maupun mengajukan lebih dari satu kali permintaan Pembayaran Klaim (*multiple demand*).

12. Bank Garansi ini tidak dapat dipindahtangankan dan/atau dijaminan kepada pihak lain (*non-transferable*).

13. Bank Garansi ini tidak dapat diubah, dicabut, diakhiri, ataupun dibatalkan kecuali jika hal tersebut disetujui oleh Penerima Jaminan melalui persetujuan tertulis atau secara tegas dimintakan oleh Penerima Jaminan kepada Pihak Terjamin.

14. Seluruh biaya yang timbul sehubungan dengan penerbitan Bank Garansi ini, termasuk biaya yang berkaitan dengan perpanjangan dan/atau perubahan atas Bank Garansi (jika ada), sepenuhnya menjadi tanggung jawab Pihak Terjamin.

15. Dengan mengacu pada Pasal 1832 Kitab Undang-Undang Hukum Perdata, Penerbit Jaminan dengan ini melepaskan hak-hak istimewanya yang diberikan oleh undang-undang sebagaimana dimaksud dalam Pasal 1831 Kitab Undang-Undang Hukum Perdata untuk menuntut supaya benda-benda milik Pihak Terjamin dan/atau yang diikat sebagai jaminan lebih dahulu disita dan dijual untuk melunasi hutang Pihak Terjamin.

16. Bank Garansi ini diatur oleh dan ditafsirkan berdasarkan peraturan perundang-undangan yang berlaku di Negara Republik Indonesia.

17. Untuk tujuan Bank Garansi ini dan segala akibat hukumnya, Penerbit Jaminan memilih domisili yang tetap di Kantor Panitera Pengadilan Negeri \_\_\_\_\_ [*domisili pengadilan*].

18. Seluruh istilah dalam Bank Garansi ini yang ditulis dengan diawali huruf kapital memiliki pengertian sebagaimana

Agreement between the Beneficiary and the Guarantor concerning the Issuance of Guarantees for the Procurement of Goods/Services within PT PLN (Persero).

ditetapkan dalam Perjanjian Kerja Sama antara Penerima Jaminan dan Penerbit Jaminan perihal Penerbitan Jaminan Pengadaan Barang/Jasa di Lingkungan PT PLN (Persero).

19. This Bank Guarantee is made in both the Indonesian and English languages. The two versions of this Bank Guarantee shall not be construed as separate documents and, when executed together, shall be deemed one and the same instrument. In the event of any conflict or inconsistency between the English version and the Indonesian version of this Bank Guarantee, the Indonesian version shall prevail.

19. Bank Garansi ini dibuat dalam Bahasa Indonesia dan Bahasa Inggris. Dua versi dari Bank Garansi ini tidak dapat ditafsirkan sebagai dokumen terpisah, dan ketika ditandatangani bersama, harus dianggap satu dan merupakan instrumen yang sama. Dalam hal terdapat konflik atau ketidaksesuaian antara versi Bahasa Inggris dan versi Bahasa Indonesia atas Bank Garansi ini, maka versi Bahasa Indonesia akan berlaku.

Accordingly, this Bank Guarantee is issued by the Guarantor on \_\_\_\_\_ to be used as appropriate in accordance with the purpose of its issuance.

Demikian Bank Garansi ini diterbitkan oleh Penerbit Jaminan pada tanggal \_\_\_\_\_ untuk digunakan sebagaimana mestinya sesuai dengan tujuan penerbitannya.

\_\_\_\_\_ [place/tempat], \_\_\_\_\_ [dated/tanggal]

PT \_\_\_\_\_ [name of Guarantor/nama Penerbit Jaminan]

[Guarantor Stamp/Stempel Penerbit Jaminan]

\_\_\_\_\_ [authorized signatory/tandatangan pejabat yang berwenang]



**PT. KOMIPO PEMBANGKITAN JAWA BALI**  
**PLTU TANJUNG JATI B #UNIT 3&4**

**REQUEST FOR QUOTATION**

Doc. Ref	: KPJB-0951-02
Form No.	: KPJB-0951-02-ZZ-FM-03
Design Div.	: Finance and Administration
Revision No.	: 00

TERMS AND CONDITION

Lampiran

PO NO :

Description :

**SYARAT - SYARAT DAN KONDISI**

**KETENTUAN UMUM**

Singkatan dan istilah umum :

"**Purchase Order/PO**" adalah Surat Pesanan Pembelian (*Purchase Order* atau PO).

"**ASET OPERATOR**" adalah PT Komipo Pembangkitan Jawa Bali (PT. KPJB)

"**PLN TJB**" adalah PT PLN (Persero) Unit Induk Pembangkitan Tanjung Jati B.

"**PPN**" adalah Pajak Pertambahan Nilai.

**1. SURAT MENYURAT**

Setiap surat menyurat harus menggunakan Kop Surat Perusahaan yang mencantumkan Nomor *Purchase Order/PO* , Nomor Surat Penawaran, Tanggal dan ditandatangani di atas meterai oleh Penyedia Barang/Jasa (oleh Direktur atau yang dikuasakan berdasarkan Anggaran Dasar Perusahaan), dan dialamatkan kepada: **ASET OPERATOR**, Procurement, Jepara.

Korespondensi antara **ASET OPERATOR** dan Penyedia Barang/Jasa dapat dilaksanakan melalui surat, faksimili, atau *e-mail* dan ditujukan kepada alamat masing-masing Pihak sebagaimana yang tercantum dalam *Purchase Order/PO*.

Salah satu Pihak dapat mengganti alamat, nomor telepon, faksimili dan/atau *E-mail* dengan memberikan pemberitahuan terlebih dahulu kepada Pihak lainnya.

**2. PROSES PENGADAAN**

Proses Pengadaan diadakan dengan sistem yang diputuskan oleh **ASET OPERATOR Procurement** dan **PLN TJB**, dimana prosedur yang berlaku yaitu sebagai berikut:

2.1 Penyedia Barang / Jasa yang diundang untuk Pengadaan adalah yang telah terdaftar di daftar Penyedia Barang/Jasa **ASET OPERATOR** dan telah disetujui oleh **PLN TJB** dengan diterbitkan "SAP CODE" oleh **PLN TJB**.

2.2 Menyeraikan Jaminan Penawaran untuk Surat Penawaran di atas Rp.500,000,000,- (Lima Ratus Juta Rupiah) dan/atau dipersyaratkan pada Undangan Pengadaan Barang / Jasa dengan nilai jaminan minimal 1% (satu persen) dan maksimal 3% (tiga persen) dari Harga Penawaran dari Penyedia Barang/Jasa termasuk PPN sesuai peraturan yang berlaku, kepada **ASET OPERATOR** dengan masa berlaku adalah 90 (Sembilan Puluh) hari kalender terhitung dari tanggal yang tertera di Surat Penawaran Harga. Jaminan Penawaran Harus diterbitkan oleh Bank sesuai dengan Daftar Penyedia Jaminan Terseleksi (DPJT) PLN yang telah disetujui oleh **ASET OPERATOR** dan/atau **PLN TJB**.

2.3 Penyedia Barang/Jasa wajib memenuhi persyaratan yang diminta oleh **ASET OPERATOR Procurement** dan tercantum dalam Surat Penawaran Harga, yaitu sebagai berikut:

2.3.1 Jadwal Pengiriman/pekerjaan yang diajukan dalam Surat Penawaran Harga adalah dalam hitungan "HARI KALENDER atau TANGGAL yang disepakati".

2.3.2 Sertifikat dan/atau dokumen lainnya yang dipersyaratkan dalam permintaan barang/jasa yang akan diserahkan, maka harus tercantum dalam Surat Penawaran Harga dan itu adalah "SERTIFIKAT/DOKUMEN ASLI", kecuali ada ketentuan dan persetujuan lain yang disepakati Para Pihak (Penyedia Barang/Jasa dan **ASET OPERATOR Procurement**).

2.3.3 Harga Yang ditawarkan adalah dalam "RUPIAH" sesuai dengan peraturan yang berlaku, kecuali ada ketentuan dan persetujuan lain yang disepakati Para Pihak (Penyedia Barang/Jasa dan **ASET OPERATOR Procurement**).

2.3.4 Surat Penawaran Harga yang diserahkan ke **ASET OPERATOR Procurement** harus menggunakan kop surat resmi perusahaan, bertanggal, bermeterai dan ditandatangani oleh Penyedia Barang/Jasa (oleh Direktur atau yang dikuasakan berdasarkan Anggaran Dasar Perusahaan).

2.3.5 Masa berlaku Surat Penawaran Harga adalah 90 (Sembilan Puluh) Hari Kalender sejak tanggal Surat Penawaran Harga dibuat.

2.3.6 Syarat dan Kondisi penyerahan barang/jasa adalah "DDP Tanjung Jati B" (*incoterms* 2000), kecuali ada ketentuan dan persetujuan lain yang disepakati Para Pihak (Penyedia Barang/Jasa dan **ASET OPERATOR Procurement**).

2.3.7 Syarat dan Kondisi Pembayaran adalah 45 (empat puluh lima) Hari Kalender sejak barang/atau bukti penyelesaian pekerjaan dan dokumen lainnya yang dipersyaratkan dalam *Purchase Order/PO* lengkap diterima oleh **ASET OPERATOR** dan **PLN TJB**.

2.3.8 Penyedia Barang/Jasa dipersyaratkan mencantumkan kesanggupan untuk menerbitkan "Surat Pernyataan Jaminan/Warranty Letter", yang menyatakan bahwa barang yang dikirimkan adalah Asli, Baru dan Tidak ada cacat. *Purchase Order/PO* lengkap diterima oleh **ASET OPERATOR** dan dapat digunakan, dan ditandatangani di atas meterai oleh Penyedia Barang/Jasa (oleh Direktur atau yang dikuasakan berdasarkan Anggaran Dasar Perusahaan). Jika dipersyaratkan dalam PO

2.4 Surat Penawaran Harga dan Dokumen pengadaan lainnya yang telah diterima oleh **ASET OPERATOR Procurement** adalah mutlak milik **ASET OPERATOR Procurement** dan keputusan yang dibuat oleh **ASET OPERATOR Procurement Komite** adalah mutlak dan tidak dapat diganggu gugat.

2.5 Adapun Syarat dan Ketentuan lainnya yang ditetapkan terpisah adalah satu kesatuan dari Syarat –Syarat dan Kondisi pada lampiran 2.

**3. PERSETUJUAN PURCHASE ORDER/PO**

Sebagai konfirmasi persetujuan Pesanan atau syarat-syarat *Purchase Order/PO*, Nomor Referensi Rekanan wajib menandatangani Surat *Purchase Order/PO* di atas meterai yang cukup pada kolom yang tersedia dan mengembalikan kepada Procurement **ASET OPERATOR**.

**3.1 PROSES PURCHASE ORDER/PO**

Proses *Purchase Order/PO* diberlakukan dalam tahap sebagai berikut:

3.1.1 *Purchase Order/PO* atas nama **PLN TJB** lebih besar dari Rp.500,000,000,- (Lima Ratus Juta Rupiah), maka Penyedia Barang/Jasa diwajibkan menyerahkan Jaminan Pelaksanaan ditujukan ke **PLN TJB**, bernilai minimal 5% (lima persen) dari total harga barang/ jasa yang tercantum dalam *Purchase Order/PO* termasuk PPN sesuai dengan peraturan yang berlaku.

3.1.2 *Purchase Order/PO* Asli yang telah lengkap ditandatangani oleh **ASET OPERATOR** atas sepengetahuan dan persetujuan **PLN TJB** terlebih dahulu, dan wajib ditandatangani di atas meterai oleh Penyedia Barang/Jasa (oleh Direktur atau yang dikuasakan berdasarkan Anggaran Dasar Perusahaan) dan dikembalikan kepada Procurement **ASET OPERATOR**.

3.1.3 Aktivasi Surat *Purchase Order/PO* adalah 7 (tujuh) Hari Kalender sejak *Purchase Order/PO* dikirimkan melalui surat tertulis dan/atau surat elektronik (surel/*email*) oleh Procurement **ASET OPERATOR**.



**PT. KOMIPO PEMBANGKITAN JAWA BALI**  
**PLTU TANJUNG JATI B #UNIT 3&4**

Doc. Ref : KPJB-0951-02  
Form No. : KPJB-0951-02-ZZ-FM-03  
Design Div. : Finance and Administration  
Revision No. : 00

**REQUEST FOR QUOTATION**

- 3.1.4 *Jangka Waktu berlakunya Purchase Order/PO ditetapkan dalam Purchase Order/PO, pada kolom "Start Date" dan "End Date".*  
3.1.5 *Pada ketentuan Pasal 3.1.1 dimana ASET OPERATOR akan mengirimkan surat "Appointment of awarded Supplier" melalui surat tertulis dan/atau Surat Elektronik (surel/email) kepada Penyedia Barang/Jasa, dan selambat-lambatnya dalam waktu 14 (empat belas) Hari Kalender setelah tanggal dikirimkan surat "Appointment of awarded Supplier", maka Jaminan Pelaksanaan harus diterima oleh Procurement ASET OPERATOR, apabila telah melewati jangka waktu yang telah ditetapkan dan pihak Penyedia Barang/Jasa belum memberikan Jaminan Pelaksanaan, maka ASET OPERATOR mempunyai hak membatalkan perikatan hukum (Purchase Order/PO) dengan Penyedia Barang/Jasa. Penyedia Barang/Jasa dianggap mengundurkan diri dan Jaminan Penawaran dicairkan tanpa syarat. Penyedia Barang/Jasa dianggap telah melakukan Wanprestasi dan akan dikenakan sanksi sesuai dengan peraturan yang berlaku di ASET OPERATOR dan PLN TJB.*

3.2 **ASET OPERATOR** dan Penyedia Barang/Jasa sepakat dalam hal **ASET OPERATOR** membatalkan *Purchase Order/PO* maka **ASET OPERATOR** dan **PLN TJB** tanpa terkecuali dibebaskan dari segala bentuk gugatan dan laporan hukum, sanksi, ganti rugi, penggantian biaya-biaya maupun ongkos-ongkos apapun sehingga Penyedia Barang/Jasa tidak memiliki hak dan wewenang untuk menuntut pertanggungjawaban apapun lagi dari **ASET OPERATOR** dan **PLN TJB**.

3.3 *Purchase Order/PO* dan Ketentuan lainnya yang ditetapkan terpisah adalah satu kesatuan dari Syarat –Syarat dan Kondisi lampiran 2.

**4. JANGKA WAKTU PELAKSANAAN**

Jangka Waktu Pelaksanaan adalah Jangka Waktu yang tertera dalam *Purchase Order/PO* sesuai pada ketentuan Pasal 3.1.4, kecuali adanya pengakhiran atau perpanjangan berdasarkan kesepakatan Para Pihak.

**5. PERPANJANGAN WAKTU PELAKSANAAN**

Setiap perpanjangan waktu pelaksanaan akan diterbitkan Amendemen *Purchase Order/PO* dengan Jangka Waktu yang disepakati Para Pihak.

**6. PERUBAHAN PURCHASE ORDER/PO (AMENDMENT PO)**

Setiap perubahan atas *Purchase Order/PO* mengenai Masa berlaku *Purchase Order/PO*, sebagaimana ketentuan pada Pasal 3.1.4 dan syarat-syarat dan kondisi lain hanya akan mengikat apabila disetujui secara tertulis dari **ASET OPERATOR** atas nama **PLN TJB** dengan diterbitkannya *Amendment PO* yang diterbitkan 2 (dua) rangkap yang masing - masing rangkap ditandatangani diatas meterai oleh **ASET OPERATOR** dan Penyedia Barang/Jasa.

**7. BARANG-BARANG**

7.1 Semua barang yang dipasok/disuplai harus sesuai dengan perincian yang tercantum dalam *Purchase Order/PO*.

7.2 Penyimpangan dari ketentuan-ketentuan di atas tidak diperkenankan tanpa persetujuan tertulis/ tanpa *Amendment PO* dari **ASET OPERATOR**.

**8. KEMASAN**

Kemasan harus dibuat kuat (dalam wujud kayu atau karton) dan layak laut atau udara sesuai dengan standar yang berlaku bagi kemasan. Semua harga bahan kemasan telah termasuk dalam harga yang telah disetujui. Pada setiap kemasan harus dicantumkan nama barang.

**9. PEMERIKSAAN**

9.1 Pemeriksaan sebelum pengapalan: apabila pemeriksaan sebelum pengapalan diperlukan, maka **ASET OPERATOR** dan/atau **PLN TJB** akan melakukan pemeriksaan barang di tempat Penyedia Barang/Jasa atau tempat lain yang disetujui Para Pihak.

9.2 Barang akan diperiksa pada waktu penyerahan dilaksanakan setelah lengkap dengan dokumen yang dipersyaratkan pada *Purchase Order/PO*. Barang yang tidak memenuhi syarat-syarat yang ditentukan dalam *Purchase Order/PO* akan dikembalikan kepada Penyedia Barang/Jasa, dan semua biaya dan kerugian akan ditimbulkan menjadi risiko dan tanggung jawab Penyedia Barang/Jasa.

**10. SERTIFIKASI**

Sertifikat untuk barang (-barang) tertentu yang ditetapkan oleh **ASET OPERATOR** dan **PLN TJB** adalah sebagai berikut:

- Sertifikat Asal Usul Barang (*Certificate of Origin/COO*);
  - Sertifikat dari Pabrikasi (*Certificate of Manufacture/COM*);
  - Surat Keaslian Barang;
  - Sertifikat Hasil Uji Pabrik (*Factory Acceptance Test Certificate*);
  - Salinan Dokumen Impor Barang (*Copy Bill of Lading*);
  - Sertifikat Analisa (*Certificate of Analysis/COA*);
- ataupun dokumen-dokumen pendukung lainnya (sebagaimana dipersyaratkan khusus di *Purchase Order/PO*).

**11. PENYERAHAN**

11.1 Penyedia Barang/Jasa harus menyerahkan barang (-barang) dalam jangka waktu dan tempat sesuai dengan syarat-syarat yang telah ditentukan dalam *Purchase Order/PO*.

11.2 Dalam jangka waktu paling lambat 7 (tujuh) Hari Kalender sebelum pengiriman barang (-barang), Penyedia Barang/Jasa harus memberitahukan **ASET OPERATOR** mengenai jadwal pengiriman.

11.3 Waktu Penyerahan barang(-barang) dihitung efektif sejak 7 (tujuh) Hari Kalender sejak *Purchase Order/PO* dikirimkan melalui surat tertulis dan/atau Surat Elektronik (surel/ email) oleh Procurement **ASET OPERATOR** ditambah jangka waktu pengiriman yang tercantum pada *Purchase Order/PO* sebagaimana ketentuan pada Pasal 3.1.5 dan lengkap disertai dengan penyerahan dokumen pendukung yang dipersyaratkan dalam *Purchase Order/PO*.

**12. DENDA SANKSI**

12.1 Sanksi atas pencairan Jaminan Penawaran tanpa syarat apabila Penyedia Barang/Jasa membatalkan *Purchase Order/PO* secara sepihak, tanpa persetujuan **ASET OPERATOR** dan **PLN TJB**, sebagaimana ketentuan pada Pasal 2.2 dan Pasal 3.1.6. Penyedia Barang/Jasa dianggap telah melakukan Wanprestasi dan mendapatkan sanksi *blacklist* di lingkungan **ASET OPERATOR** dan **PLN TJB** minimal 2 (dua) tahun.

12.2 Denda atas keterlambatan menyelesaikan pekerjaan atau memasok Barang adalah setiap hari keterlambatan dikenakan 1/1000 (satu per seribu) dengan maksimal denda keterlambatan adalah 5% (lima persen) dari total nilai *Purchase Order/PO* belum termasuk PPN sesuai dengan peraturan yang berlaku dan/atau sama dengan maksimal keterlambatan pengiriman maksimal adalah 50 (lima puluh) Hari Kalender, kecuali ada kesepakatan lain antara Para Pihak. Serta melakukan pemotongan pembayaran kepada Penyedia Barang/Jasa dengan menggunakan nilai denda yang sudah ditetapkan **ASET OPERATOR** tersebut sebagai dasar pemotongan.

12.3 Batas maksimal Penyedia Barang/Jasa dalam keterlambatan adalah 3 (tiga) *Purchase Order/PO* dan Penyedia Barang/Jasa akan di tangguhkan ("suspend") atau tidak dapat turut serta dalam proses pengadaan berikutnya. Pemberian Penangguhan ("suspend") kepada Penyedia Barang/Jasa adalah hak mutlak **ASET OPERATOR** atas persetujuan **PLN TJB**, dan tanpa pemberitahuan resmi kepada Penyedia Barang/Jasa.

12.4 Penyedia Barang/Jasa tidak dapat membatalkan *Purchase Order/PO* sepihak kepada **ASET OPERATOR** dan/atau **PLN TJB**. Bila Penyedia Barang/Jasa tidak sanggup menyerahkan atau menyelesaikan pekerjaannya dalam waktu yang telah ditentukan, **ASET OPERATOR** dan/atau **PLN TJB** sebagaimana ketentuan pada Pasal 11.3, maka **ASET OPERATOR** memiliki hak dan wewenang penuh untuk:



**PT. KOMIPO PEMBANGKITAN JAWA BALI**  
**PLTU TANJUNG JATI B #UNIT 3&4**

Doc. Ref : KPJB-0951-02  
Form No. : KPJB-0951-02-ZZ-FM-03  
Design Div. : Finance and Administration  
Revision No. : 00

**REQUEST FOR QUOTATION**

- 12.4.1 Mengenakan denda maksimal sebesar 5% (lima persen) dari Total Nilai pada *Purchase Order/PO* atau mencairkan Jaminan Pelaksanaan tanpa syarat;
- 12.4.2 Dan/ Atau memesan barang/ jasa tersebut kepada sumber lain dan bila ada kelebihan harga yang dibayarkan **ASET OPERATOR** maka Penyedia Barang/Jasa wajib menanggung kelebihan harga tersebut;
- 12.4.3 Penyedia Barang/Jasa dianggap telah melakukan Wanprestasi dan mendapatkan sanksi *black list* di lingkungan **ASET OPERATOR** dan **PLN TJB** minimal 2 (dua) tahun disertai dengan membatalkan atau mengakhiri *PO* beserta pengakhiran ikatan Kerjasama dengan Penyedia Barang/Jasa.
- 12.5 Denda atau Sanksi dapat diabaikan dan/atau dihilangkan apabila keterlambatan atas suatu Pengadaan Barang atau Jasa yang dianggap oleh **ASET OPERATOR** dan/ atau **PLN TJB** adalah dikategorikan sebagai suatu "*Force Majeure*" sebagaimana ketentuan pada Pasal 16.

**13. TAHAPAN SURAT PEMBERITAHUAN, PERINGATAN, DAN PEMUTUSAN *PURCHASE ORDER/PO* KARENA WANPRESTASI**

- 13.1 Peristiwa-peristiwa yang digolongkan sebagai Wanprestasi adalah:
- a. Peristiwa Wanprestasi yang mengakibatkan *Purchase Order/PO* berakhir tanpa melalui surat peringatan dari **ASET OPERATOR** terhadap Penyedia Barang/Jasa adalah sebagai berikut:
- i. Penyedia Barang/Jasa terbukti melakukan tindak pidana antara lain adanya pemalsuan surat/dokumen, praktek korupsi, penyuapan, pemberian gratifikasi, persekongkolan, kecurangan dan pemalsuan yang berkaitan dengan proses pengadaan, *Purchase Order/PO* dan/atau pelaksanaan Pekerjaan.
- ii. Penyedia Barang/Jasa terbukti melakukan pelanggaran atas peraturan internal **ASET OPERATOR** dan/atau **PLN TJB** terkait *fraud*.
- iii. Berdasarkan putusan Pengadilan yang telah mempunyai kekuatan hukum tetap, Penyedia Barang/Jasa dinyatakan dalam keadaan pailit, pembubaran, likuidasi atau diberikan penundaan pembayaran hutang yang menyebabkan Penyedia Barang/Jasa tidak dapat melakukan kewajibannya berdasarkan *Purchase Order/PO*.
- iv. Penyedia Barang/Jasa terbukti dikenakan Sanksi Daftar Hitam (*blacklist*) sebelum penandatanganan *Purchase Order/PO*.
- v. Apabila Jaminan Penawaran dan/atau Jaminan Pelaksanaan yang diserahkan oleh Penyedia Barang/Jasa kepada **ASET OPERATOR** dan/atau **PLN TJB** selama jangka waktu *Purchase Order/PO* terbukti palsu/tidak benar.
- vi. Setiap pernyataan yang dibuat oleh Penyedia Barang/Jasa di dalam *Purchase Order/PO* yang berkaitan dengan proses pengadaan *Purchase Order/PO* dan/atau pelaksanaan Pekerjaan terbukti tidak sah dan/atau tidak dilaksanakan oleh Penyedia Barang/Jasa.
- b. Peristiwa Wanprestasi yang mengakibatkan *Purchase Order/PO* berakhir melalui surat peringatan dari **ASET OPERATOR** terhadap Penyedia Barang/Jasa adalah sebagai berikut:
- i. Penyedia Barang/Jasa mengalihkan Pekerjaan baik sebagian atau seluruhnya atau hak atau kewajiban yang diatur dalam *Purchase Order/PO* tanpa persetujuan tertulis dari **ASET OPERATOR**;
- ii. Apabila denda yang diatur dalam *Purchase Order/PO* tidak dibayar oleh Penyedia Barang/Jasa kepada **ASET OPERATOR**.
- iii. Apabila Penyedia Barang/Jasa tidak melakukan perpanjangan Jaminan Pelaksanaan sebagaimana diatur dalam *Purchase Order/PO*.
- iv. Penyedia Barang/Jasa tidak memenuhi baik sebagian atau seluruh kewajiban sesuai ketentuan yang diatur dalam *Purchase Order/PO*.
- 13.2 Dalam hal terjadi Peristiwa Wanprestasi oleh Penyedia Barang/Jasa sebagaimana dimaksud Pasal 13 ayat 13.1 butir b Syarat Umum *Purchase Order/PO*, **ASET OPERATOR** berhak mengakhiri *Purchase Order/PO* dengan memberikan surat peringatan, dengan ketentuan sebagai berikut:
- a. Surat Pemberitahuan (*Notification Letter*): dikirimkan secara tertulis dan/atau melalui *Email* ke Penyedia Barang/Jasa maksimal 14 (empat belas) Hari Kalender sebelum jangka waktu pengiriman jatuh tempo yang tertera pada *Purchase Order/PO*.
- b. Surat Peringatan Resmi (*Official Warning Letter*): dikirimkan secara tertulis dan/atau melalui *Email* ke Penyedia Barang/Jasa yang mengalami keterlambatan pengiriman dengan ketentuan sebagai berikut:
- i. Surat Peringatan Pertama (*Warning Letter 1*): 1- 10 hari setelah masa berlakunya *Purchase Order/PO* berakhir (*end date*), dan Penyedia Barang/Jasawajib merespon dalam waktu 10 hari setelah Surat Peringatan Pertama (*Warning Letter 1*) diterima.
- ii. Surat Peringatan Kedua (*Warning Letter 2*): 21- 30 hari setelah masa berlakunya *Purchase Order/PO* berakhir (*end date*), dan Penyedia Barang/Jasawajib merespon dalam waktu 10 hari setelah Surat Peringatan Kedua (*Warning Letter 2*) diterima.
- iii. *Warning Letter 3* ((Surat Pengakhiran/Pemutusan (*Termination Letter*)): 51 hari setelah masa berlakunya *Purchase Order/PO* berakhir (*end date*).
- c. Surat Pengakhiran/Pemutusan (*Termination Letter*): dikirimkan secara tertulis dan/atau melalui *Email* ke Penyedia Barang/Jasa setelah 2 (dua) surat pada Pasal 13.2.a dan 13.2.b di atas dikirimkan dan tidak tercapainya kesepakatan antara Para Pihak dalam penyelesaian permasalahan yang dimaksud dalam jangka waktu masa berlakunya *Purchase Order/PO*, maka secara sepihak yaitu **ASET OPERATOR** atas persetujuan **PLN TJB**, akan membatalkan *Purchase Order/PO* dengan mengirimkan Surat Pemutusan (*Termination Letter*) kepada Penyedia Barang/Jasa.
- d. Apabila Penyedia Barang/Jasa tidak menyelesaikan pekerjaan serta tidak tercapainya kesepakatan antara Para Pihak dalam penyelesaian pekerjaan yang dimaksud dalam jangka waktu masa berlakunya *Purchase Order/PO* dalam waktu sebagaimana disebutkan pada Pasal 13 ayat 13.2 butir c, maka **ASET OPERATOR** berhak mencairkan Jaminan Pelaksanaan Penyedia Barang/Jasa pada periode berjalan, dan mengakhiri *Purchase Order/PO* secara sepihak.
- 13.3 Dalam hal Penyedia Barang/Jasa telah melakukan pemulihan atau perbaikan sebagaimana dimaksud pada bab ini, dan pemulihan atau perbaikan tersebut disetujui oleh **ASET OPERATOR** maka peringatan tertulis yang telah diterbitkan tersebut tidak akan diperhitungkan sebagai pemberian peringatan yang berkelanjutan atau tidak berlaku kumulatif pada pemberian peringatan berikutnya.
- 13.4 Atas setiap pengakhiran dari *Purchase Order/PO*, seluruh kewajiban-kewajiban masing-masing Pihak berdasarkan *Purchase Order/PO* wajib berhenti, kecuali:
- a. Sehubungan dengan kewajiban-kewajiban pembayaran yang ditimbulkan dari tindakan-tindakan yang diambil sebelum pengakhiran tersebut (termasuk namun tidak terbatas pada hak normatif Pekerja Penyedia Barang/Jasa);
- b. Sebagaimana ditentukan lain dalam *Purchase Order/PO*;
- c. Bahwa ketentuan terkait Jaminan Pelaksanaan akan tetap berlaku walaupun *Purchase Order/PO* telah diakhiri; dan/atau
- d. Pengakhiran tersebut tidak akan mengurangi setiap hak atas ganti rugi atau setiap perbaikan lainnya yang mungkin dimiliki oleh masing-masing pihak berdasarkan *Purchase Order/PO*.
- 13.5 Dalam hal terjadi Peristiwa Wanprestasi Penyedia Barang/Jasa, maka Penyedia Barang/Jasa akan dikenakan hukuman/denda sesuai ketentuan pada *Purchase Order/PO*.
- 13.6 **ASET OPERATOR** akan memberlakukan hukuman daftar hitam (*blacklist*) bagi setiap pengakhiran *Purchase Order/PO* yang disebabkan karena wanprestasi Penyedia Barang/Jasa sebagaimana diatur lebih lanjut dalam ketentuan yang berlaku pada **ASET OPERATOR**.
- 13.7 Terhadap pengakhiran *Purchase Order/PO*, Para Pihak sepakat untuk tidak memberlakukan ketentuan Pasal 1266 Kitab Undang-Undang Hukum Perdata.
- 13.8 Akibat-akibat Pemutusan *Purchase Order/PO*:
- a. **ASET OPERATOR** dan/atau **PLN TJB** dibebaskan dari segala tuntutan hutang-hutang Penyedia Barang/Jasa kepada pihak ketiga yang harus ditanggung oleh Penyedia Barang/Jasa;
- b. **ASET OPERATOR** dan Penyedia Barang/Jasa segera mengadakan pemeriksaan bersama yang dituangkan dalam Berita Acara Pemeriksaan Pekerjaan dan/atau *Good Receipt* (GR) dan/atau *Join Inspection* (JI) yang meliputi beberapa prestasi yang telah selesai dikerjakan oleh Penyedia Barang/Jasa. Apabila Penyedia Barang/Jasa tidak bersedia mengadakan pemeriksaan bersama, maka **ASET OPERATOR** akan mengadakan



**PT. KOMIPO PEMBANGKITAN JAWA BALI**  
**PLTU TANJUNG JATI B #UNIT 3&4**

Doc. Ref	: KPJB-0951-02
Form No.	: KPJB-0951-02-ZZ-FM-03
Design Div.	: Finance and Administration
Revision No.	: 00

**REQUEST FOR QUOTATION**

- periksaan terakhir dan hasilnya dianggap sebagai hasil pemeriksaan bersama;
- Penyedia Barang/Jasa hanya berhak mendapatkan pembayaran sesuai kemajuan pekerjaan yang telah dilaksanakan dan disetujui **ASET OPERATOR**. Peralatan dan bahan-bahan yang belum dipergunakan tidak termasuk dalam penilaian kemajuan pekerjaan;
  - ASET OPERATOR** akan mengambil alih pekerjaan untuk diselesaikan dengan *Purchase Order/PO* lain atau dengan cara lain;

**14. HARGA**

- Harga yang tercantum dalam *Purchase Order/PO* ini adalah tetap, tidak berubah dan mengikat.
- Bagi Pengusaha Kena Pajak ("PKP") harga yang tercantum dalam *Purchase Order/PO* tidak termasuk PPN sesuai dengan peraturan yang berlaku. PPN harus dinyatakan terpisah dari harga barang(-barang) yang dipesan.

**15. JAMINAN PENAWARAN DAN JAMINAN PELAKSANAAN**

Jaminan dipersyaratkan untuk Pengadaan sebagai berikut :

- Jaminan Penawaran adalah bernilai minimal 1% (satu persen) maksimal 3% (Tiga persen) dari Total Nilai Perkiraan Sendiri (HPS) atau Surat Penawaran Harga dari Penyedia Barang/Jasa termasuk PPN sesuai dengan peraturan yang berlaku, untuk nilai Penawaran lebih besar dari Rp.500,000,000,- (lima ratus juta rupiah), sebagaimana ketentuan pada Pasal 2.2 .
- Jaminan Pelaksanaan adalah bernilai minimal 5% (lima persen) dari Total Nilai pada *Purchase Order/PO* termasuk PPN sesuai dengan peraturan yang berlaku untuk nilai Pembelian lebih besar dari Rp.500,000,000,- (lima ratus juta rupiah), sebagaimana ketentuan pada Pasal 3.1.1 di atas. Dengan ketentuan masa berlaku Jaminan Pelaksanaan adalah sebagaimana ketentuan pada Pasal 3.1.4 ditambah sekurang-kurangnya 50 (Lima Puluh Hari) Hari Kalender.
- Jaminan yang disertakan harus mengikuti persyaratan yang diminta oleh **ASET OPERATOR** dan/atau **PLN TJB** dengan ketentuan sebagai berikut :
  - Mengikuti format yang sudah dibakukan oleh **ASET OPERATOR** dan/ atau **PLN TJB**.
  - Menggunakan mata uang dalam "Rupiah", kecuali ada ketentuan dan persetujuan lain yang disepakati Para Pihak (Penyedia Barang/ Jasa dan **ASET OPERATOR** Procurement).
  - Harus diterbitkan oleh Bank sesuai dengan Daftar Penyedia Jaminan Terseleksi (DPJT) PLN yang telah disetujui oleh **ASET OPERATOR** dan/atau **PLN TJB**.
- Jaminan Pelaksanaan diserahkan kepada **ASET OPERATOR** maksimal 14 (empat belas) Hari Kalender setelah "Surat Penunjukan Pemenang / *Appointment of Awarded Supplier*" dikirimkan melalui surat tertulis dan/atau Surat Elektronik (Surel/ *Email*) oleh **ASET OPERATOR** kepada Penyedia Barang/Jasa, sebagaimana ketentuan pada Pasal 3.1.5.
- Asli dari Jaminan akan dikembalikan ke Penyedia Barang/Jasa apabila semua kewajiban dari Penyedia Barang/Jasa telah dinyatakan selesai oleh **ASET OPERATOR** atas persetujuan **PLN TJB**.
- Jaminan dapat dimungkinkan untuk diperpanjang masa berlakunya atas permintaan dari **ASET OPERATOR** dan/atau **PLN TJB** kepada Penyedia Barang/Jasa.

**16. FORCE MAJEURE**

- Peristiwa, kejadian atau keadaan berikut ini adalah *Force Majeure*: Kehendak Tuhan (*Act of God*) meliputi namun tidak terbatas pada gempa bumi, dari banjir, epidemi, kebakaran, perang, huru-hara, pemogokan dan/atau pemberlakuan peraturan pemerintah yang mengatur atau berhubungan dengan pelaksanaan/ pengiriman di dalam *Purchase Order/PO*.
- Dalam hal terjadi suatu peristiwa, kejadian atau keadaan *Force Majeure*, Penyedia Barang/Jasa wajib memberitahukan secara tertulis dan/atau *email* dengan melampirkan bukti-bukti dari instansi yang berwenang kepada **ASET OPERATOR** selambat-lambatnya 3 (tiga) hari sejak terjadinya suatu peristiwa, kejadian atau keadaan *Force Majeure*.
- Dalam hal pemberitahuan sebagaimana ketentuan Pasal 16.2 di atas terlampaui atau tidak dilaksanakan maka Para Pihak sepakat bahwa kejadian tersebut bukan merupakan keadaan *Force Majeure*.
- Baik Penyedia Barang/Jasa maupun **ASET OPERATOR** dan **PLN TJB** dibebaskan dari setiap dan semua tanggung jawab yang timbul sebagai akibat terjadinya suatu peristiwa, kejadian atau keadaan *Force Majeure*.

**17. TUNTUTAN DARI PIHAK KETIGA**

Penyedia Barang/Jasa harus membebaskan dan melindungi **ASET OPERATOR** dan **PLN TJB** dari segala tuntutan dari pihak ketiga yang timbul atau akan timbul sehubungan dengan *Purchase Order/PO*.


**18. GARANSI (Apabila Diperyaratkan di dalam *Purchase Order/PO*)**

Penyedia Barang/Jasa menjamin ke **ASET OPERATOR** dan/ atau **PLN TJB**, bahwa barang-barang yang dikirim sesuai dengan spesifikasi yang disepakati sebagaimana ketentuan pada Pasal 2.3.8. Barang tidak cacat atau rusak material atau teknis, baru (bukan barang bekas pakai) dan digaransi oleh Pabrik dan/atau Penyedia Barang/Jasa. Garansi harus berlaku selama jangka waktu 18 (delapan belas) bulan sejak tanggal pengiriman barang atau 12 (dua belas) bulan sejak tanggal pemasangan atau operasi awal atas barang ("**Masa Garansi**"). Apapun yang terjadi terlebih dahulu dalam Masa Garansi, ditemukan kerusakan atau kecacatan barang, **ASET OPERATOR** berkewajiban untuk memberitahukan secara tertulis dan/atau melalui *email* atas hal tersebut kepada Penyedia Barang/Jasa. Dan dalam waktu 3 x 24 jam setelah diterimanya pemberitahuan tersebut, Penyedia Barang/Jasa wajib memperbaiki barang yang cacat atau rusak tersebut, dan apabila barang tidak bisa diperbaiki dalam jangka waktu paling lambat 30 (tiga puluh) Hari Kalender, maka Penyedia Barang/Jasa harus mengganti barang yang rusak tersebut dengan barang baru dengan kualitas dan spesifikasi yang sama tanpa ada penambahan biaya apapun dari **ASET OPERATOR**.

**19. TAGIHAN**

Untuk melakukan penagihan, Penyedia Barang/Jasa harus memenuhi syarat-syarat penagihan dengan melengkapi dokumen-dokumen antara lain sebagai berikut:

- Surat Permohonan Pembayaran: 1 (satu) rangkap Asli
- Kwitansi : 3 (tiga) rangkap, 1 (satu) rangkap bermeterai cukup dan 2 (dua) rangkap lainnya tanpa meterai .
- Invoice : 3 (tiga) rangkap, 1 (satu) rangkap bermeterai cukup dan 2 (dua) rangkap lainnya tanpa meterai.
- Faktur Pajak : 2 (dua) rangkap.
- Berita Acara Penyelesaian Pekerjaan (BAPK) dan/atau *Goods Receipt* dan/atau *Joint Inspection* : 1 (satu) rangkap Asli.
- Berita Acara Serah Terima (BAST) barang/jasa/pekerjaan dan/atau *Minutes Of Verification* (MOV): 1 (satu) rangkap Asli.
- NPWP dan SPPKP : 1 (satu) rangkap Copy.
- Sertifikat Asal Barang dan/atau Sertifikat Manufaktur: 1 (satu) asli dan/atau 1 (satu) *Copy* (Apabila dipersyaratkan pada *Purchase Order/PO*).
- Surat Jaminan/Garansi yang menyatakan masa garansi barang adalah 18 (delapan belas) bulan sejak pengiriman atau 12 (dua belas) bulan sejak instalasi : 1 (satu) asli dan 2 (dua) *Copy* (Apabila dipersyaratkan pada *Purchase Order/PO*).
- Jaminan Pelaksanaan dan Surat Konfirmasi keabsahan Jaminan Pelaksanaan : 1 (satu) rangkap *Copy* (Apabila dipersyaratkan pada *Purchase Order/PO*).
- SIUP/NIB dan SIUJK : 1 (satu) rangkap *Copy* (Apabila ada atau apabila dipersyaratkan pada *Purchase Order/PO*)

	<b>PT. KOMIPO PEMBANGKITAN JAWA BALI</b>	Doc. Ref	: KPJB-0951-02
	<b>PLTU TANJUNG JATI B #UNIT 3&amp;4</b>	Form No.	: KPJB-0951-02-ZZ-FM-03
	<b>REQUEST FOR QUOTATION</b>	Design Div.	: Finance and Administration
		Revision No.	: 00

19.12 Syarat-syarat lain yang belum tercantum sebagaimana poin-poin diatas namun dipersyaratkan khusus pada *Purchase Order / PO* wajib dipenuhi oleh Penyedia Barang/Jasa.

(Persyaratan penagihan terlampir di lampiran " Tata Cara Penagihan")

#### 20. PEMBAYARAN

Kecuali ditentukan lain dalam *Purchase Order/PO* :

- 20.1 Pembayaran akan dilakukan pada 45 (empat puluh lima) Hari Kalender setelah barang/ Jasa dinyatakan diterima dengan Bukti Asli *Goods Receipt/ Completion Work*, dan dokumen-dokumen penagihan telah diterima dengan baik, lengkap dan benar.
- 20.2 Pembayaran akan dilakukan melalui bank transfer.

#### 21. LAIN - LAIN

- 21.1 Syarat-syarat umum ini berlaku sah dan mengikat, kecuali ada ketentuan lain yang tertera pada *Purchase Order/PO*.
- 21.2 Bilamana **ASET OPERATOR** serta Penyedia Barang/Jasa menandatangani kesepakatan tambahan sebagai satu kesatuan dari *Purchase Order/PO* dan ternyata menimbulkan pertentangan dengan klausul-klausul di dalam *Purchase Order/PO* maka **ASET OPERATOR** dan Penyedia Barang/Jasa sepakat akan selalu menafsirkan dengan cara memilih, mematuhi dan menerapkan klausul yang lebih menguntungkan **ASET OPERATOR** semata.
- 21.3 **ASET OPERATOR** dan/atau **PLN TJB**, setiap saat memiliki hak eksklusif untuk melakukan evaluasi berkaitan dengan kinerja, kepatuhan atau hasil pelaksanaan kewajiban oleh Penyedia Barang/Jasa, dimana hasil evaluasi tersebut akan disampaikan kepada Penyedia Barang/Jasa dalam bentuk pernyataan tertulis.
- 21.4 Evaluasi tersebut dilakukan dalam rangka menjamin keberlangsungan PLTU Tanjung Jati B Jepara sehingga hasil evaluasi sebagaimana dimaksud menjadi dasar bagi **ASET OPERATOR** dan/atau **PLN TJB** untuk mengkaji ulang status serta jangka waktu *Purchase Order/PO* dan/atau penentuan status Penyedia Barang/Jasa dalam Daftar Hitam Penyedia Barang/Jasa **ASET OPERATOR** dan/atau **PLN TJB**.
- 21.5 *Purchase Order/PO* dibuat, diatur dan ditafsirkan sesuai dengan hukum Negara Republik Indonesia.
- 21.6 Jika terjadi perselisihan yang tidak mendapatkan solusi maka **ASET OPERATOR** dan Penyedia Barang/Jasa sepakat untuk dapat melakukan pengakhiran *Purchase Order/PO* dan tidak memberlakukan ketentuan Pasal 1266 Kitab Undang-undang Hukum Perdata.
- 21.7 Syarat-syarat dan kondisi ini dibuat dalam Bahasa Indonesia dan Bahasa Inggris. Dalam hal adanya inkonsistensi atau penafsiran yang berbeda antara versi Bahasa Indonesia dan versi Bahasa Inggris, versi Bahasa Indonesia dari Syarat-syarat dan kondisi ini akan berlaku dan versi Bahasa Inggris harus dianggap secara otomatis diubah (perubahan mana berlaku sejak tanggal ditandatanganinya versi bilingual ini) untuk menjadikan bagian yang relevan dari versi Bahasa Inggris sesuai dengan bagian yang relevan dari versi Bahasa Indonesia.
- 21.8 **ASET OPERATOR** berhak melakukan Audit di Waktu tertentu kepada rekanan Penyedia Barang/Jasa, Proses pengaudit dilakukan oleh **ASET OPERATOR** didampingi tim Auditor yang ditunjuk **ASET OPERATOR**.

#### KETENTUAN MENYANGKUT LINGKUNGAN, KESEHATAN, DAN KESELAMATAN KERJA

##### 1. STANDART KESELAMATAN UNTUK BAHAN BAHAN YANG BERACUN

- 1.1 Penyedia Barang/Jasa harus memberikan daftar data keselamatan material - material (MSDS) untuk seluruh *chemical*, pelumas, lem, cairan, pembersih dan bahan bahan lainnya yang berpotensi beracun yang rekanan akan gunakan dalam pelaksanaan pekerjaan.
- 1.2 Penyedia Barang/Jasa harus mengikuti syarat - syarat untuk penyimpanan, penanganan dan pembuangan meterial termasuk syarat - syarat untuk Peralatan Perlindungan Personal dan peralatan Pernafasan (RPE) yang ditentukan oleh **ASET OPERATOR**.
- 1.3 Setiap Material yang mengandung zat - zat yang berpotensi beracun yang ada di *Site* yang tidak sesuai dengan persyaratan MSDS dan belum disetujui oleh **ASET OPERATOR**, harus segera dihilangkan atau dipindahkan dari *site* oleh Penyedia Barang/Jasa sampai persetujuan tersebut diperoleh.

##### 2. PURCHASE REQUISITION JASA/SERVICE

- 2.1 Dokumen Analisa Kerja Aman (*Job Safety Analysis / JSA*) atau dokumen identifikasi bahaya lainnya yang terkait dengan Jasa.
- 2.2 Prosedur kerja aman / instruksi kerja dan/atau dokumen EHS lainnya yang terkait dengan Jasa.
- 2.3 Surat keterangan sehat dari dokter untuk personel yang terkait dengan jasa.
- 2.4 Foto *copy* Sertifikat kompetensi untuk personel yang terkait dengan jasa.
- 2.5 Foto *copy* Sertifikat Kelayakan atas Peralatan Angkat dan Angkut yang masih "VALID" yang terkait dengan Jasa.
- 2.6 Foto *copy* Surat Keterangan Catatan Kepolisian (SKCK) dan kartu identitas (Kartu Tanda Penduduk/KTP atau Paspor) masih berlaku untuk lampiran *Formulir Request ID Card*.
- 2.7 Foto *copy* Surat Ijin Mengemudi (SIM) yang masih berlaku untuk pengemudi mobil perusahaan untuk lampiran formulir "*Vehicle Gate Pass Request*".
- 2.8 Foto *copy* surat KIR yang masih berlaku untuk kendaraan operasional kategori tertentu untuk lampiran formulir "*Vehicle Gate Pass Request*".
- 2.9 Surat pernyataan dari Manajemen perusahaan bahwa akan mematuhi peraturan perundangan terkait dengan Lingkungan dan
- 2.10 Keselamatan, Kesehatan Kerja (LK3), salah satunya seperti berikut :
  - 2.10.1 Menyediakan Alat Pelindung Diri (APD) untuk seluruh karyawan yang standard dan sesuai
  - 2.10.2 Bertanggung jawab atas limbah/sampah yang dihasilkan oleh pekerjaan jasa tersebut serta selalu menjaga kerapian dan kebersihan area kerja.
  - 2.10.3 Membuat "Surat Pernyataan" bahwa perusahaan tidak mencemari lingkungan
  - 2.10.4 Melampirkan Sertifikat ISO 14001 dan Sertifikat PROPER yang dimiliki (apabila dipersyaratkan dalam RFQ & *Purchase Order/PO*)

##### 3. PURCHASE REQUISITION BARANG

Menyediakan dokumen yang terkait dengan persyaratan Lingkungan, Keselamatan dan Kesehatan Kerja (LK3), seperti:

- 3.1 Lembar Data Keselamatan Bahan / LDKB (*Material Safety Data Sheet/MSDS*) untuk Bahan Beracun dan Berbahaya (B3), seperti: bahan kimia/resin/oli/grease/dll.
- 3.2 Petunjuk Pengoperasian secara aman (*Safety Operating Manual*) untuk peralatan/mesin/alat kerja/ dll.
- 3.3 Persyaratan penyimpanan serta penanganan secara manual.
- 3.4 Atau dokumen lainnya yang terkait dengan persyaratan dan perundangan Lingkungan, Keselamatan & Kesehatan Kerja (LK3).

##### 4. KETENTUAN MENYANGKUT KETENAGA KERJAAN

Berikut persyaratan dari HRD yaitu sebagai berikut :

- 4.1 *Copy* sertifikat kepesertaan perusahaan di BPJS Ketenagakerjaan.
- 4.2 *Copy* kartu kepesertaan BPJS Ketenagakerjaan dari setiap karyawan yang dipekerjakan.
- 4.3 Ijin Operasional dari Disnaker Propinsi Jawa Tengah Cq. Disnaker Jepara Untuk pekerjaan yang di alih-daya kan (*Outsource*).
- 4.4 Surat Pemberitahuan ke Disnaker Jepara untuk pekerjaan jasa pemborongan.
- 4.5 *Copy* Perjanjian kerja antara perusahaan dengan masing-masing karyawan.