



---

## Public Notice

### Re Quotation U4POB The Purchasing of Dome Valve Parts for Fly Ash Disposal

**1. Scope of Supply**

Re Quotation U4POB The Purchasing of Dome Valve Parts for Fly Ash Disposal

**2. Bidding Type**

- Domestic open bidding to select the lowest priced suppliers and evaluated by total price
- The quotation shall be submitted in one sealed envelope containing both the priced and unpriced proposals, addressed to Procurement Team, F&A Division PT. KPJB

**3. Requirement for Qualification of Bidder**

It is mentioned in document of INVITATION TO BID, Bidding Schedule of Re Quotation U4POB The Purchasing of Dome Valve Parts for Fly Ash Disposal Attachment 5.

**4. Bid Closing date and Time on 11.00 WIB, 21 April 2026.**

**5. Invitation to Bid (ITB) and Additional Information**

- Invitation to Bid (ITB) document copy or soft file is available in website PT. KPJB ([www.kpjb.co.id](http://www.kpjb.co.id)); or
- Email : [procurement34@kpjb.co.id](mailto:procurement34@kpjb.co.id)

**6. Bid submission**

To : Procurement Team

**Finance & Administration Division (K19531)**

**PT. Komipo Pembangkitan Jawa Bali (KPJB)**

PLTU Tanjung Jati B Unit 3 & 4,

Desa Tubanan, Kecamatan Kembang,

Kabupaten Jepara, Jawa Tengah, Indonesia 59453

Tel : 0291-4270493, Fax : 0291-4270601

**7. Procedure for Submission Bid Document**

- The bidding document shall be submitted in a sealed envelope by registered mail or direct submission after KPJB security's check not later than the bid closing date and time.
- Document title shall be marked in the envelope as "U4POB The Purchasing of Dome Valve Parts for Fly Ash Disposal"



## Aanwijzing Result of RFQ NO: K19531

Day / Date : Wednesday, April 1, 2026

Time : 10.00

Venue : Zoom Meeting

### Administration:

<b>Before:</b> <ol style="list-style-type: none"><li>1. Delivery Time: not later than <u>July 1, 2026</u></li><li>2. Original Certificate of Manufacture issued by Clyde Huatong (Beijing) Material Handling Co. Ltd for item no. 1-17 and Certificate of Manufacture or other certificate issued by manufacture are required at the delivery time.</li></ol>	<b>After:</b> <ol style="list-style-type: none"><li>1. Delivery Time: not later than <b>July 30, 2026</b></li><li>2. <b>Original Certificate of Manufacture</b> issued by Clyde Huatong (Beijing) Material Handling Co. Ltd is <b>required at the delivery time.</b><ul style="list-style-type: none"><li>• KPJB will send the LOI to start the work, parallel processing the Appointment Letter, Performance Bond and Purchase Order approval.</li></ul></li></ol>
---	---

### Technical:

<b>Before:</b>	<b>After:</b> Brand: Clyde Huatong MFG: Clyde Huatong (Beijing) Material Handling Co. Ltd
----------------	---

### Note:

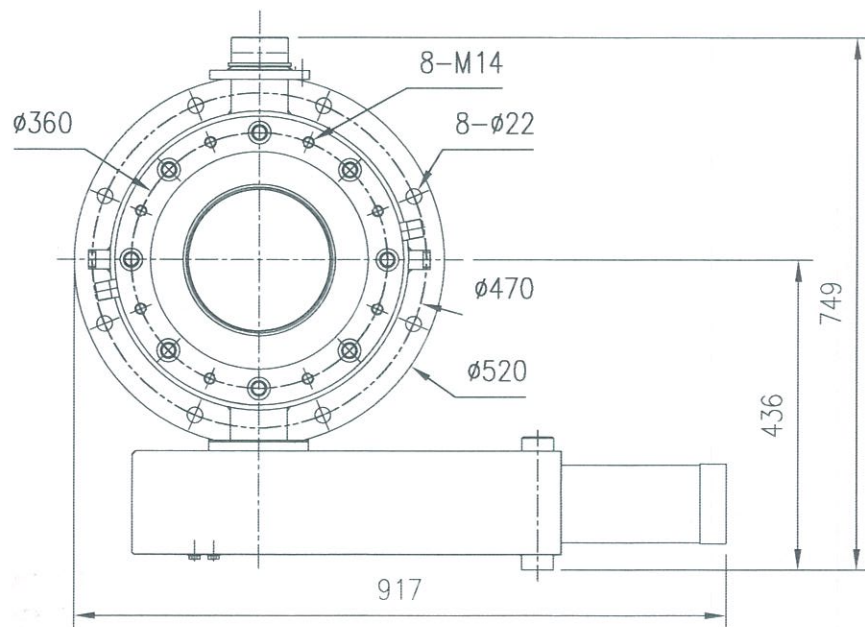
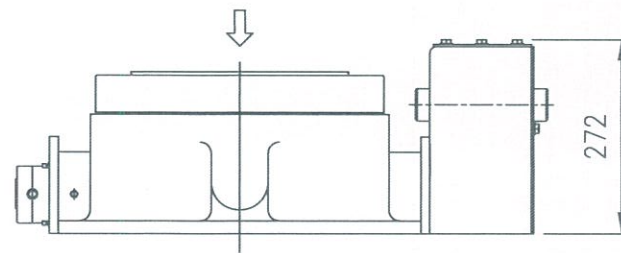
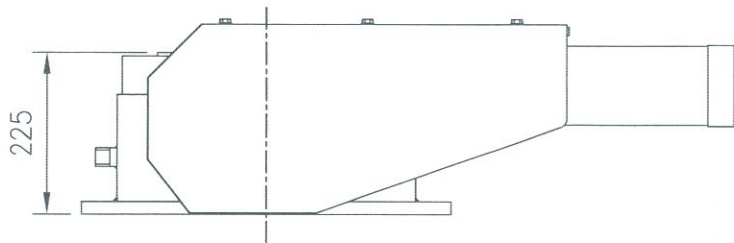
1. Quotation shall be submitted in two sealed envelopes separately, one for priced quotation and another for unpriced, not later than 11.00 WIB, **April 14, 2026**
2. Delivery Time: not later than **July 30, 2026**
3. **Original Certificate of Manufacture** issued by Clyde Huatong (Beijing) Material Handling Co. Ltd is **required at the delivery time.**
4. The others clauses, terms and conditions of this TOR & RFQ No. K19531 that not specified in this MOM of aanwijzing and not against this MOM of aanwijzing still remains unchanged until the parties decided differently.

### Attendance List:

NO.	NAME	COMPANY / POSITION	Signature
1	IKHSAN	PT. KPJB	BY ZOOM
2	ARTHA	PT. KPJB	BY ZOOM
3	ROBBY	PT. TRIT INDONESIA	BY ZOOM
4	NURUL	PT. MAJAPADA KARYA ENERGI	BY ZOOM
5	GALIH	PT. MAJAPADA KARYA ENERGI	BY ZOOM

### Attachment:

1. Term of Reference
2. Bidbond Format & DPJT List
3. Drawing



Important Notice: Any information contained here shall not be copied, disclosed to any other parties or used for other purposes without the written consent of CBMH CO.LTD.

声明: 未经克莱德华通(北京)物料输送系统有限公司书面许可不得复制、泄露给第三方或用于其他目的

DISTINCTION  
图纸级别



Clyde Huatong (Beijing) Materials Handling Company Limited

克莱德华通(北京)物料输送系统有限公司

PROJECT  
工程

STAGE  
设计阶段

APP'D BY  
批准

DSN'D BY  
设计

TITLE  
名称 DN200 Heat Insulated Dome Valve

REV'D BY  
审核

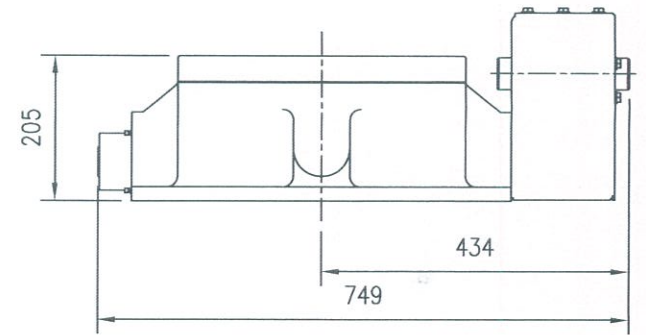
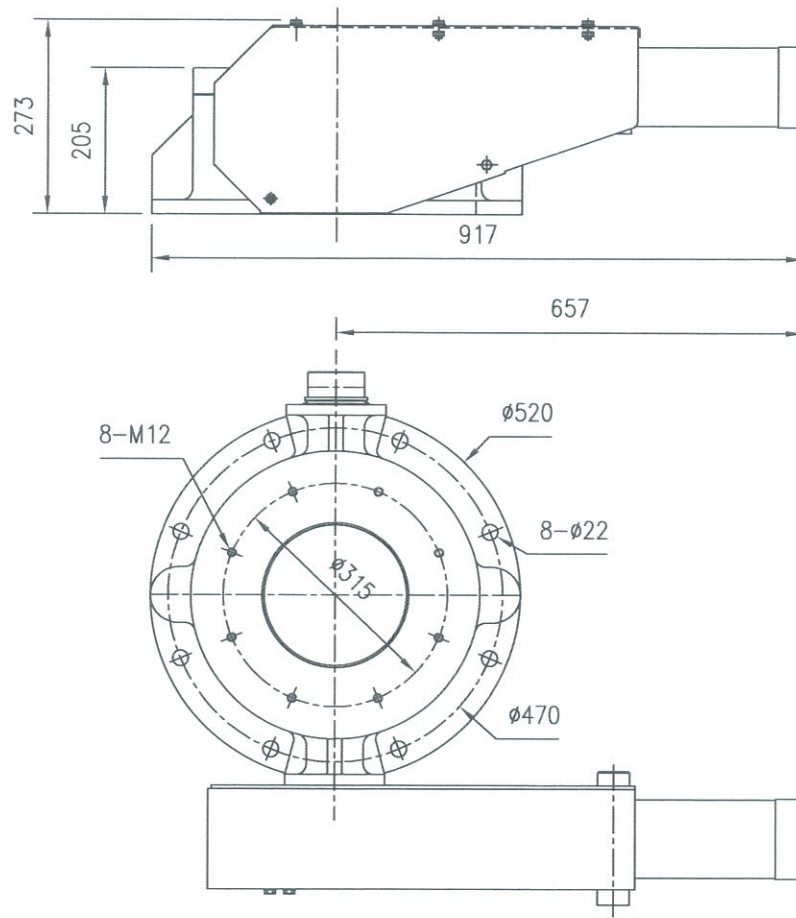
SCALE  
比例


CHK'D BY  
校核

DATE  
日期

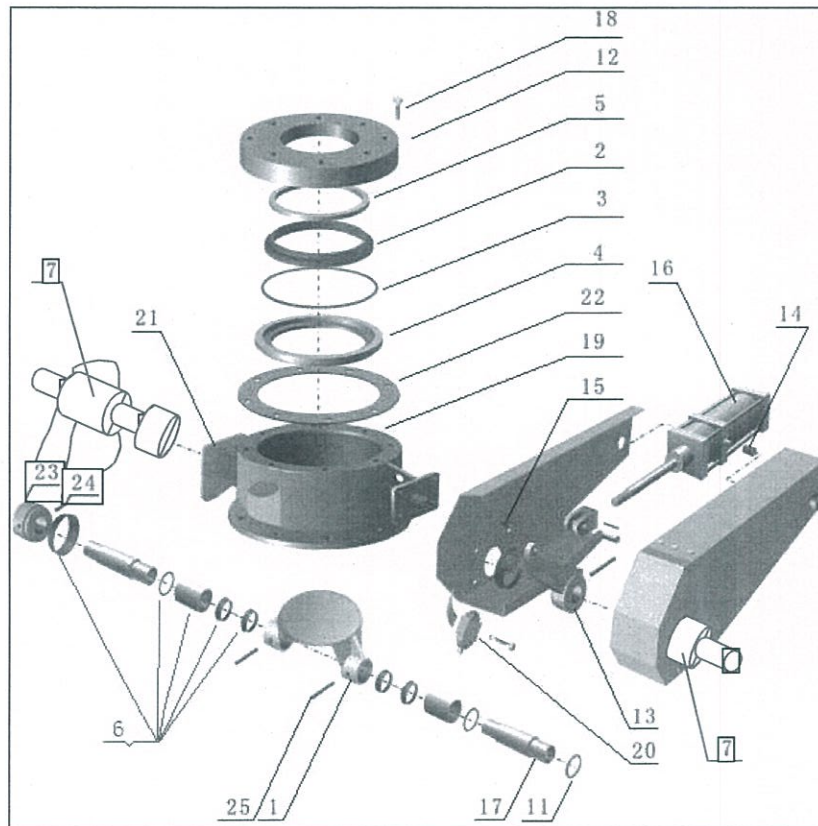
DRAWING NO.  
图号 CH4125D-00

ISSUE  
版号 02



Important Notice: Any information contained here shall not be copied, disclosed to any other parties or used for other purposes without the written consent of CBMH CO.LTD. 声明: 未经克莱德华通(北京)物料输送系统有限公司书面许可不得复制、透露给第三方或用于其他目的				DISTINCTION 图纸级别	
 Clyde Huatong (Beijing) Materials Handling Company Limited 克莱德华通(北京)物料输送系统有限公司			PROJECT 工程		STAGE 设计阶段
APP'D BY 批准		DSN'D BY 设计		TITLE 名称 DN200 PFA圆顶阀	
REV'D BY 审核		SCALE 比例			
CHK'D BY 校核		DATE 日期		DRAWING NO. 图号	P30668D-00
				ISSUE 版号	01 3

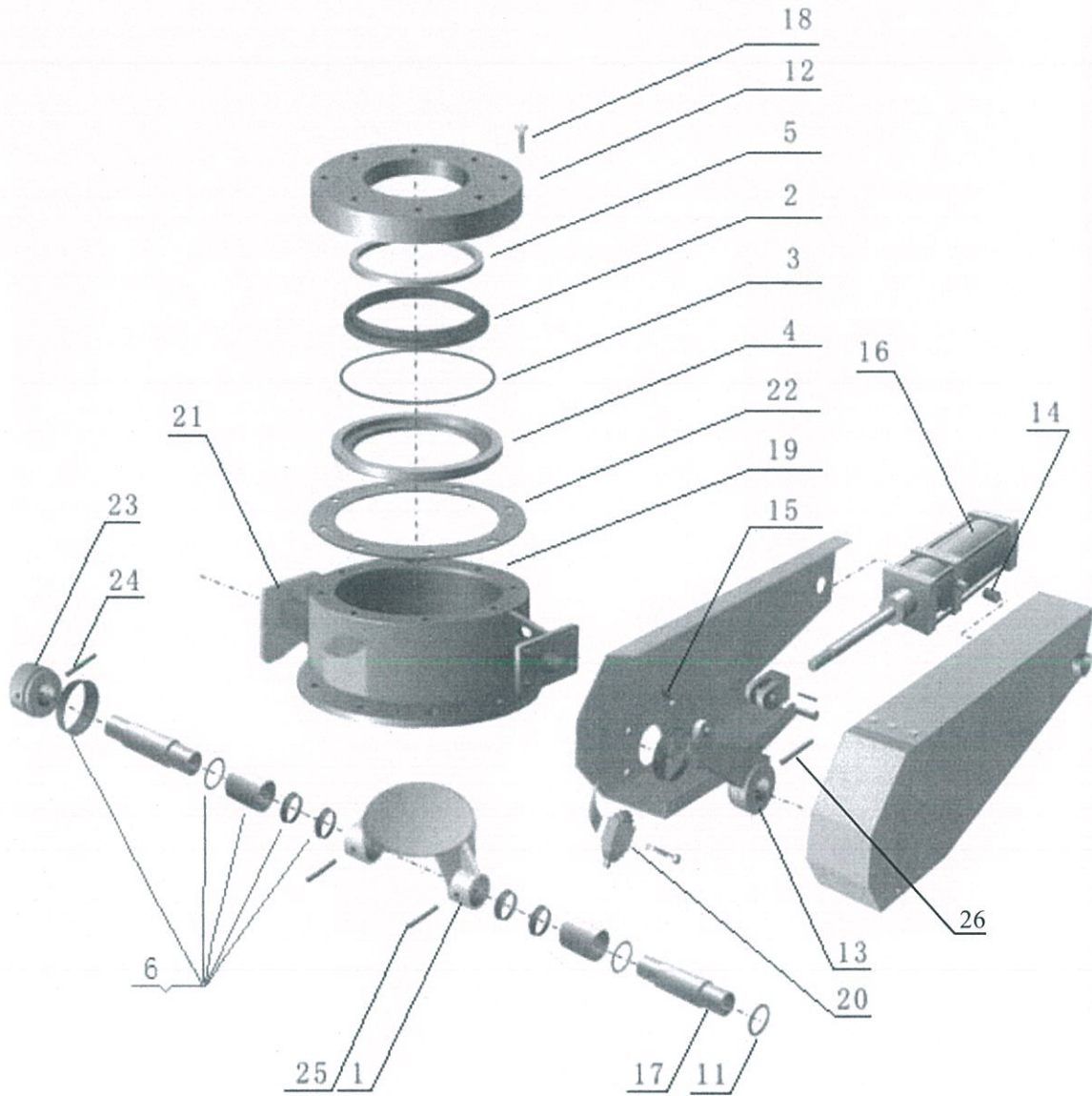
CONSTRUCTION DRAWING OF CENTRE MOUNTED CYLINDER DOME VALVES  
ECO/AH DOME VALVE DN200



No	Description	Norm	Part no	Unit
<b>A</b>	<b>Inlet Dome Valve (ECO)</b>	<b>DN200</b>	<b>P3121 6D-00/ CH0331D-00</b>	<b>set</b>
1	High temperature dome	DN200	CP2133B-00	pc
2	High temperature insert seal	DN200	P17460C-01	pc
3	High temperature O-ring	DN200	M1172	pc
4	Seal retaining ring	DN200	CP29617D-00	pc
5	Insert ring	DN200	CP29616D-00	pc
6	Shaft sealing components	DN200	M3231	pc
7	Water cooled shaft components	DN200	P2696C-02	pc
11	Adjustment pads	DN200	-	pc
12	Top plate	DN200	CP30474B-01	pc
13	Torque arm	DN200	CP21761C-00	pc
14	Support sleeve	DN200	-	pc
15	Cylinder guard	DN200	CP21583B/CP21584B	pc
16	Pneumatic actuator	DN200	P22457E-00	pc
17	Drive shaft	DN200	CP29696B-01	pc
19	Valve body	DN200	CP31215B-00	pc
20	Limit switch	DN200	A1011	pc
22a	Gasket 0,8mm	DN200	P5467E-00	pc
22b	Gasket 1,5mm	DN200	P5462E-00	pc
23	Shaft block	DN200	CP19642E-00	pc
24	Spring pin 14x80	DN200	GB/T879.1-2000	pc
25	Spring pin 14x90	DN200	GB/T879.1-2000	pc

Cooled dome valve type  
 Eco = 8 pumps  
 AH<sub>10</sub> = 8 pumps

## Construction Drawing of Centre Mounted Cylinder Inlet Dome Valves DN200



No.	Description	Part No	No.	Description	Part No
16	1 Dome	CP1158B-00	16	Pneumatic actuator	P22457E-00
	2 Dome valve insert seal	P5524C-01	17	Drive shaft	CP1016D-00
	3 O-ring	M5206	18	Hexagon screw	-
	4 Seal retaining ring	CP29617D-00	19	Valve body	CP26999B-01
	5 Insert ring	CP29616D-00	20	Limit switch	A1011
	6 Shaft sealing component	M3231	21	Oil cup	-
	11 Adjustment pads	CP9277E-07	22-a	Gasket 0,8 mm thk	P5467E-00
17	12 Top plate	CP29669D-00	22-b	Gasket 1,5 mm thk	P5462E-00
	13 Torque arm	CP21761C-00	23	Shaft block	CP19642E-00
	14 Support sleeve	-	24	Spring pin Ø 14×80	GB/T879.1-2000
	15 Cylinder guard	-	25	Spring pin Ø 14×90	GB/T879.1-2000
			26	Spring pin Ø 6×50	GB/T879.1-2000

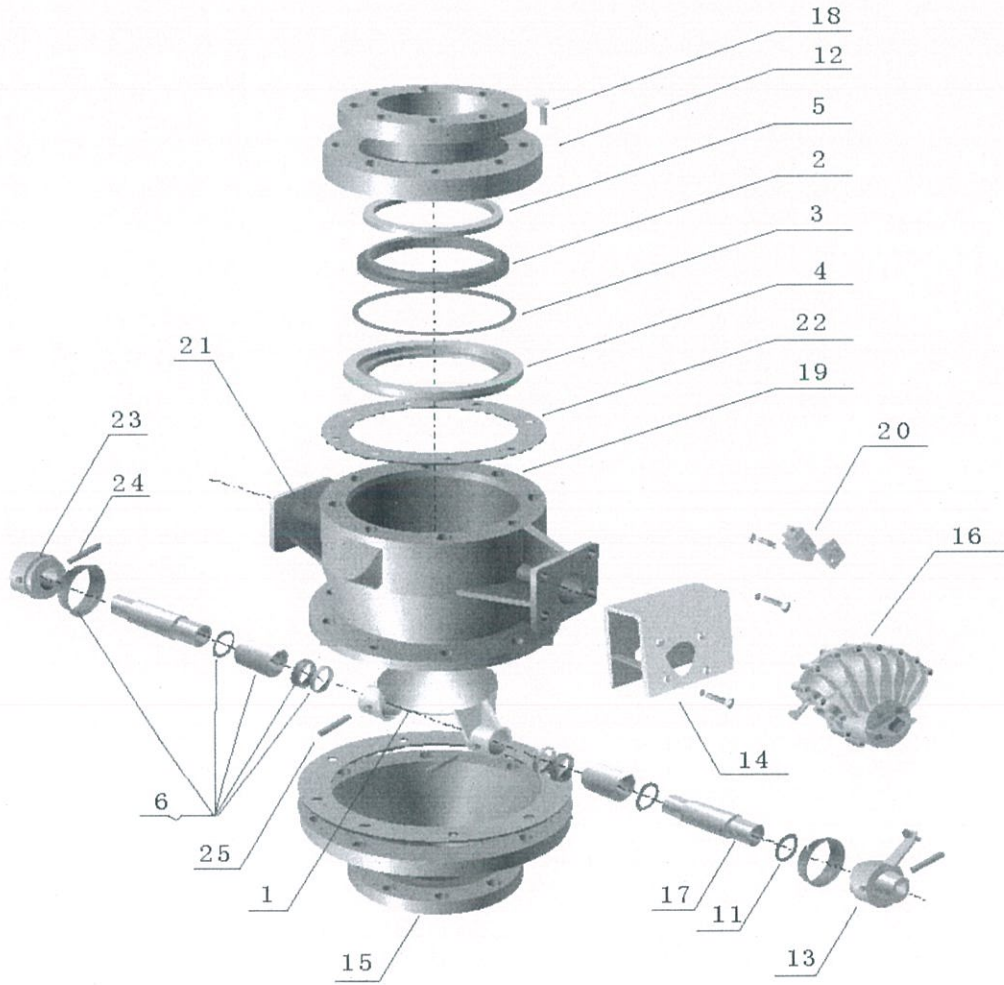
non cooling dome valve

© CLYDE BERGEMANN

AH out = 8 pumps  
 Esp field 2 = 16 pumps  
 Esp field 3 = 8 pumps  
 Esp field 4 = 8 pumps



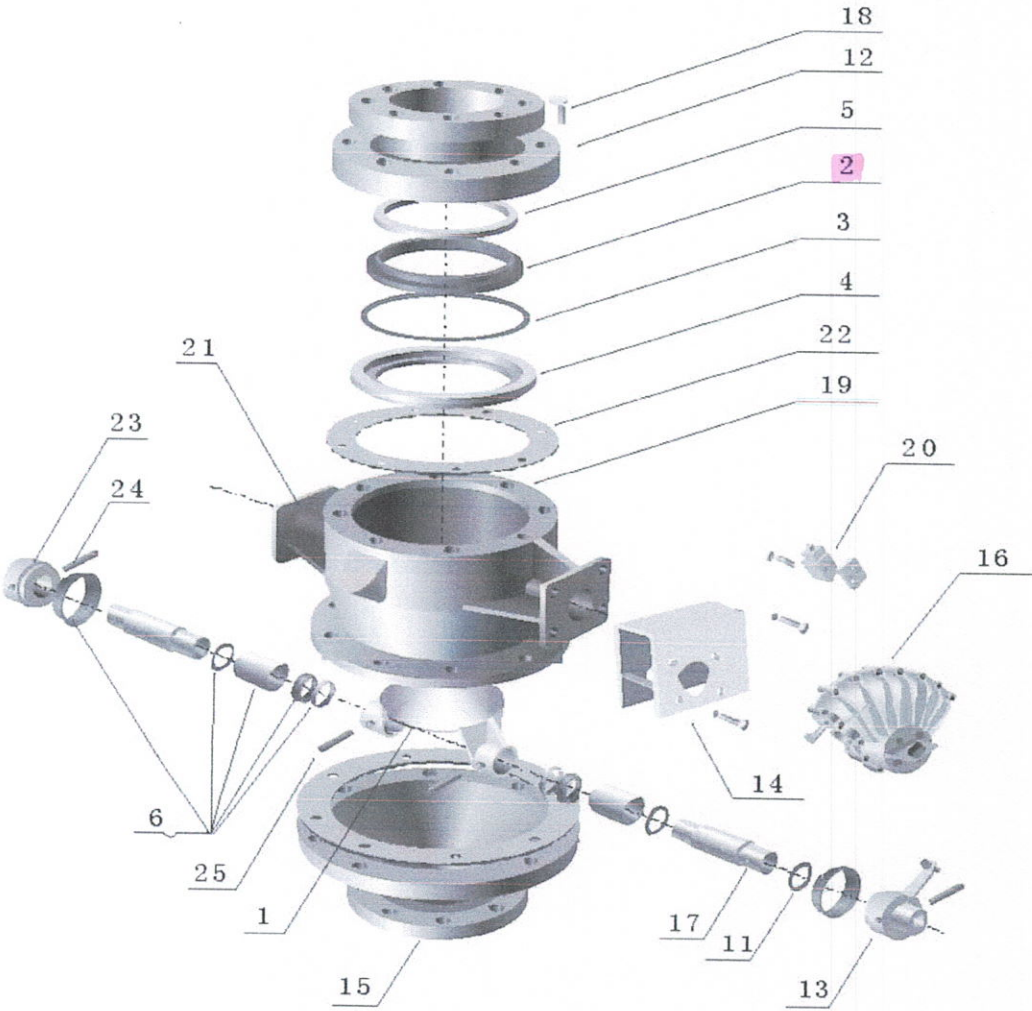
# Construction Drawing of Switch Valve DN50 / Vent Dome Valve DN50




Parts List			
Switch Valve DN50 / Vent Dome Valve DN50			
( P30330D-00 ) 3			
No.	Description	Part No	Qty (Piece)
1	Dome	CP18607C-00	1
2	Dome Valve Insert Seal	P19080C-00	1
3	O Ring	M5202	1

4	Seal Retaining Ring	CP29610D-00	1
5	Insert Ring (Insert Seal)	CP29611D-00	1
6	Shaft Sealing Components	M4222	1
i	Seal Carrier	CP19182D-00	1
ii	VARI Seal Ring	M3334	1
iii	V Dustproof Ring	M3335	1
iv	O Shaft Seal	M3270	1
v	Shaft Bearing	P19183E-00	1
11	Adjustment Pads	M3422	1
12	Top Adaptor	-	1
13	Torque Arm	CP18586D-00	1
14	Support Sleeve	-	1
15	Bottom Adaptor	-	1
16	Pneumatic Actuator	A2013	1
17	Drive Shaft	CP18584E-00	1
18	Hexagon Screw	-	1
19	Valve Body	CP18590A-00	1
20	Limit Switch	A2033	1
21	Oil Cup	-	1
22	Gasket 0.8mm thk	P2120A-54B	1
	Gasket 1.5mm thk	P2120A-54A	1
23	Shaft Block	CP18603E-00	1
24	Cylindrical Spring Pin ϕ 7 X 35	M3324	1
	Cylindrical Spring Pin ϕ 7 X 35	M3271	
	Quick Exhaust Valve (1/4" )	A1084	1
	Dome Valve Actuator Maintain Subassembly	A2195	1
	Top Plate	CP29664D-00	1

# Construction Drawing of Centre Mounted Cylinder Dome Valves



Parts List DN80 Switch Valve (P30332D-00)			
No.	Description	Part No	Qty
1	Dome	CP18639C-00	1
2	Dome valve insert seal	P19081C-00	1
3	O ring	M5203	1
4	Seal retaining ring	CP29612D-00	1
5	Insert ring	CP29613D-00	1
6	Shaft sealing components	M4222	1 set
11	Adjustment pads	M3422	1
12	Top adaptor		1

 <b>PT. KOMIPO PEMBANGKITAN JAWA BALI</b> <b>PLTU TANJUNG JATI B UNIT 3&amp;4</b>	Doc. Ref	: KPJB-0951-02
	Form No.	: KPJB-0951-02-ZZ-FM-16
	Design Div.	: Finance and Administration
	Revision No.	: 00
<b>TERM OF REFERENCE</b>		

## 1. Background

The spare parts will be provided to equipment as follow:

Name : Fly ash disposal spareparts  
Brand : CLYDE HUATONG

## 2. Spare Part Data

2.1. System : Fly Ash Disposal

Equipment : U4 Eco, AH inlet, outlet & ESP field 1~4 dome valve


2.2. Spare Part Group :

- Overhaul
- PM & PdM
- Run to Failure
- Strategic Parts
- Strategic Equipment

2.3. Usage Plan : PARTS WILL BE INSTALLED DURING U4 PO 2026 ESTIMATED  
IN JUNE 2026

2.4. Description :

NO	DESCRIPTION	Item ID	QTY	UNIT	MANUFACTURE
1	VALVE,CHECK, NON RETURN VALVE, SIZE : 0.5 INCH, MODEL NO : A2958, BRAND : CLYDE HUATONG	215793	16	PC	CLYDE HUATONG
2	SEAL SET, ASH DISPOSAL SYSTEM, INSERT SEAL, DN200, OD : 280 MM, ID : 215 MM, MODEL NO : P17460C-01, BRAND : CLYDE HUATONG	104740	56	PC	CLYDE HUATONG
3	REGULATING ELEMENT, FLOW, VALVE, DOME VALVE ASSEMBLY, P/N: P30668D-00, SIZE: DN200, NON-COOLING DOME VALVE C/W ACTUATOR AND DIRECTIONAL VALVE, BRAND: CLYDE HUATONG	218791	2	PC	CLYDE HUATONG
4	SEALER, M3231, SHAFT SEALING COMPONENT DN 200, BRAND: CLYDE HUATONG	206331	16	PC	CLYDE HUATONG
5	VALVE,CHECK, NON RETURN VALVE, SIZE : 2.0 INCH, MODEL NO : A3382, BRAND : CLYDE HUATONG	217921	8	PC	CLYDE HUATONG
6	VALVE,BALL, VENT DOME OF VALVE DN50, MODEL NO : P30330D-00, BRAND : CLYDE HUATONG	215811	2	PC	CLYDE HUATONG
7	VALVE,GATE, SQUARE, MANUAL SLIDING VALVE, NOMINAL SIZE : 200x200 MM, MODEL NO : HFM, BRAND : CLYDE HUATONG	209222	4	PC	CLYDE HUATONG
8	VALVE,CHECK, NON RETURN VALVE, SIZE : 1 INCH, MODEL NO : A2969, BRAND : CLYDE HUATONG	215794	16	PC	CLYDE HUATONG
9	GASKET, EXPANSION JOINT GASKET, PN: CHG001-00, SIZE: 200 X 200 MM, BRAND: CLYDE HUATONG	221005	56	PC	CLYDE HUATONG
10	GASKET, EXPANSION JOINT GASKET, PN: CHG006-01, SIZE: DN200, BRAND: CLYDE HUATONG	221006	56	PC	CLYDE HUATONG
11	EXPANSION JOINT, PIPE, DN200, PN: P27143D-02, MFG: CLYDE HUATONG	220350	16	PC	CLYDE HUATONG
12	SHAFT ASSEMBLY, DRIVE SHAFT DN200, PN: CP1016D-00, MFG: CLYDE HUATONG	220354	4	PC	CLYDE HUATONG
13	METAL PLATE, TOP, DOME VALVE, WATER-COOLED CREST SLAB, DN200, MODEL NO : CP30474B-01, BRAND : CLYDE HUATONG	215809	2	PC	CLYDE HUATONG
14	DISK, VALVE, DOME, NON COOLING, DN200, MODEL NO : CP1158B-00, BRAND : CLYDE HUATONG	211642	2	PC	CLYDE HUATONG
15	METAL PLATE, TOP, DOME VALVE, DN200, MODEL NO : CP29669D-00, BRAND : CLYDE HUATONG	211640	2	PC	CLYDE HUATONG
16	SHAFT ASSEMBLY, WATER COOLING SHAFT COMPONENT DN200, P2696C-02, BRAND: CLYDE HUATONG	206335	4	PC	CLYDE HUATONG

	<b>PT. KOMIPO PEMBANGKITAN JAWA BALI PLTU TANJUNG JATI B UNIT 3&amp;4</b>	Doc. Ref	: KPJB-0951-02
		Form No.	: KPJB-0951-02-ZZ-FM-16
	<b>TERM OF REFERENCE</b>	Design Div.	: Finance and Administration
		Revision No.	: 00

17	REGULATING ELEMENT, FLOW, VALVE, DOME VALVE ASSEMBLY, P/N: CH4125D-00, SIZE: DN 200, DOUBLE HEAT INSULATING DOME VALVE C/W ACTUATOR AND DIRECTIONAL VALVE, BRAND: CLYDE HUATONG	223688	2	PC	CLYDE HUATONG
----	---	--------	---	----	---------------

### 3. Work Scope

- 3.1. Purchase fly ash disposal spareparts for Eco, AH in ,out & ESP field 1~4 dome valve.
- 3.2. **CSMS level is Low**

### 4. Bidder Qualification

- 4.1. Authorize agent
- 4.2. Distributor

### 5. Delivery of material and/or services

- 5.1. Required for 02 June 2026
- 5.2. Delivery point is KPJB's Warehouse, PLTU Tanjung Jati B Unit 3&4, Jepara, Central Java.

### 6. Requirement of Documents

Within delivery the materials, supplier should submit documents as follow:

- 6.1. Original COM issued by Clyde Huatong (Beijing) Materials Handling Co., Ltd be submitted.
- 6.2. Warranty letter for 1 year from Supplier.

### 7. Technical Specification

- 7.1. All spareparts part number refer to Clyde Huatong Materials Handling Co., Ltd as manufacture
- 7.2. All of technical specification should be comply with determined specification, cannot be changed, no crack, should be new 100%, genuine, no defect, and can be used properly.
- 7.3. In the case PT KPJB decline the delivered material, supplier should replace the material. If supplier can't replace it, they will be penalized in accordance to General Term & Condition (GTC) of the PO.

### 8. Acceptance Criteria

- 8.1. Delivery time is complied.
- 8.2. All delivered materials are accordance to PO requirement, specification and condition of the TOR.
- 8.3. All of required document are fulfilled.

### 9. Standard of Quality


Quality of the material and/or services should comply with standard, code, manufacturer specification and user's requirement. *(or determined by user)*

### 10. Warranty

Generally if there isn't mentioned at other clause, supplier should warrant the material for 1 year after material being receiving by PT. KPJB.

### 11. Material Technical Data Sheet

Base on material list from Clyde Bergemann Huatong *(attached)*

	<b>PT. KOMIPO PEMBANGKITAN JAWA BALI</b> <b>PLTU TANJUNG JATI B UNIT 3&amp;4</b>	Doc. Ref	: KPJB-0951-02
		Form No.	: KPJB-0951-02-ZZ-FM-16
	<b>TERM OF REFERENCE</b>	Design Div.	: Finance and Administration
		Revision No.	: 00

**12. Picture**



DN200 Dome Assembly:  
 1. Eco,AH in & out pump  
 2. ESP Field 1~ 4 pump

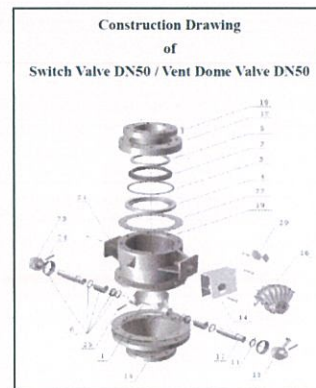
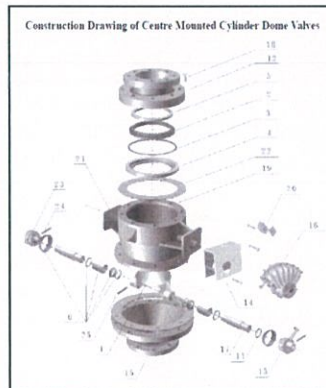
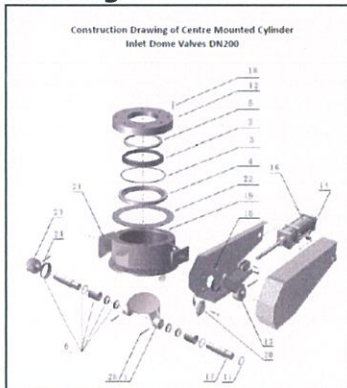


DN80 Dome Assembly:  
 1. Eco & AH in LSV  
 2. AH out LSV  
 3. ESP Field 3&4






DN50 Dome Assembly:  
 1. ESP Field 1&2 vent valve


**13. Drawing**



DN200, DN80 & DN50 Construction

**14. Others**

Prepared by	Checked by	Approved by
		
<u>Artha B.N</u>	<u>Hermawan</u>	<u>Lim, Hyung Chul</u>
Date :	Date : <i>30 Oct. 23</i>	Date :

	<b>PT. KOMIPO PEMBANGKITAN JAWA BALI PLTU TANJUNG JATI B UNIT 3&amp;4</b>	Doc. Ref	: KPJB-0951-02
		Form No.	: KPJB-0951-02-ZZ-FM-16
	<b>TERM OF REFERENCE</b>	Design Div.	: Finance and Administration
		Revision No.	: 00

**1. Background**

Inventory materials control based on inventory policy, (Safety stock, ROP, ROQ, Maximum stock).

**Spare Part Data**

- 1.1. System :
- 1.2. Equipment :
- 1.3. Spare Part Group :
  - Overhaul
  - PM & PdM
  - Run to Failure
  - Strategic Parts
  - Strategic Equipment
- 1.4. Usage Plan : Stock Replenishment.

No	Division	Item Number	Description	Purchase qty	Unit
1	BOILER	104742	SEAL SET, ASH DISPOSAL SYSTEM INSERT SEAL - DN80, CLYDE, OD=125 ID=86 T=20 MM, PART NO : P19081C-00	14	PC

**2.5. procurement Plant**


No	Division	Item Number	Description	Current Stock	Maximum Stock	Outstanding PR/PO	Purchase qty
1	BOILER	104742	SEAL SET, ASH DISPOSAL SYSTEM INSERT SEAL - DN80, CLYDE, OD=125 ID=86 T=20 MM, PART NO : P19081C-00	14	28	0	14 (ROQ)

**2. Work Scope**

- 3.1 Supply materials based on Inventory control

**3. CSMS Risk Level:**

- 1. Low
- 2. Moderate
- 3. High
- 4. Very High
- 5. Extreme

	<b>PT. KOMIPO PEMBANGKITAN JAWA BALI PLTU TANJUNG JATI B UNIT 3&amp;4</b>	Doc. Ref	: KPJB-0951-02
		Form No.	: KPJB-0951-02-ZZ-FM-16
	<b>TERM OF REFERENCE</b>	Design Div.	: Finance and Administration
		Revision No.	: 00

**4. Bidder Qualification**

4.1 Follow procurement procedure.

**5. Delivery of material and/or services**

5.1. Required date is 5 May 2026.

5.2. Delivery point is KPJB's Warehouse, PLTU Tanjung Jati B Unit 3&4, Jebara, Central Java.

**6. Requirement of Documents**

Within delivery the materials, supplier should submit documents as follow:

6.1. COM or other certificate issued by manufacture.

6.2. Warranty letter for 1 year from Supplier.

**7. Technical Specification**

7.1. All of technical specification should be comply with determined specification, cannot be changed, no crack, should be new 100%, genuine, no defect, and can be used properly.

7.2. In the case PT KPJB decline the delivered material, supplier should replace the material. If supplier can't replace it, they will be penalized in accordance to General Term & Condition (GTC) of the PO.

**8. Acceptance Criteria**

8.1. Delivery time is complied.

8.2. All delivered materials are accordance to PO requirement, specification and condition of the TOR.

8.3. All of required document are fulfilled.

**9. Standard of Quality**


Quality of the material and/or services should comply with standard, code, manufacturer specification and user's requirement.

**10. Warranty**

Generally if there isn't mentioned at other clause, supplier should warrant the material for 1 year after material being receiving by PT. KPJB.

**11. Material Technical Data Sheet**

N/A

	<b>PT. KOMIPO PEMBANGKITAN JAWA BALI</b> <b>PLTU TANJUNG JATI B UNIT 3&amp;4</b>	Doc. Ref	: KPJB-0951-02
		Form No.	: KPJB-0951-02-ZZ-FM-16
	<b>TERM OF REFERENCE</b>	Design Div.	: Finance and Administration
		Revision No.	: 00

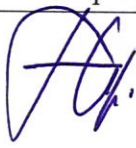


## 12. Picture



## 13. Drawing (Attached)

## 14. Others


14.1. Anwijzing Process is needed.

Prepared by	Checked by	Approved by
		
<u>Fahmi Dwi Wicaksono</u> Staff	<u>Gita Ramadhan</u> Leader	<u>Hendang Suroso</u> F&A Manager
Date : 12/01/2026	Date : 12.1.2026	Date : 12/01 '26

	PT. KOMIPO PEMBANGKITAN JAWA BALI	Doc. Ref	: KPJB-0951-02
	PLTU TANJUNG JATI B #UNIT 3&4	Form No.	: KPJB-0951-02-ZZ-FM-03
	<b>REQUEST FOR QUOTATION</b>	Design Div.	: Finance and Administration
		Revision No.	: 00


Date	RFQ No:	PRF No:
March 18, 2026	K19531	K19531
SUBJECT : U4POB The Purchasing of Dome Valve Parts for Fly Ash Disposal		

KPJB on behalf of PT. PLN hereby request your quotation for material/services below :

No	Item Code	Description	No		Item Code
			Qty	Unit	
As per the attachment					
<ul style="list-style-type: none"> <li>The quotation shall be submitted in one sealed envelope containing both the priced and unpriced proposals, addressed to Procurement Team, F&amp;A Division PT. KPJB. The original documents should be received by KPJB not later than 11.00 WIB date <u>14 APR 2026</u> by registered mail or direct submission after PLTU Tanjung Jati B security check and registration.</li> <li>Aanwijzing will be held in KPJB on <u>01 APR 2026</u>.</li> <li>Validity of Quotation price should be minimum 3 months.</li> <li>Prices and detailed information should be specified about the materials and services in the quotation by strictly following the quotation form attached hereto.</li> <li>Payment will be made by Telegraphic Transfer (T/T) within forty five (45) days after invoice received, attached with delivery or work completion report (Invoice, Good receive form, MOV, BAPP, etc.) issued by PT. KPJB.</li> <li>Performance Bond is applicable for PO <math>\geq</math> IDR 500.000.000: minimum 5% from PO price including VAT. Validity of Bank Guarantee is covering delivery period + 130 calendar days.</li> <li>Warranty period is 12 months (365 calendar days).</li> <li><b>Delivery time: June 2, 2026</b></li> <li><b>Delivery should be completed to PT. KPJB's warehouse, PLTU Tanjung Jati B Unit #3&amp;4.</b></li> <li><b>Certificate should be submitted at the delivery time: Original Certificate of Manufacture</b> issued by Clyde Huatong (Beijing) Material Handling Co. Ltd for item no. 1-17 and <b>Certificate of Manufacture</b> or other certificate issued by manufacture are <b>required at the delivery time.</b></li> <li>Warranty letter that state "The material is genuine, no defect, new and can be used properly" should be submitted at the time of delivery.</li> <li>All documents and communications shall be in English.</li> <li>All terms and conditions of this contract must be subject to and governed by PT. KPJB's Terms and Conditions for Contract attached hereto.</li> <li>In case of hazardous material, Material Safety Data Sheets (MSDS) and other related document for hazardous material shall be submitted at the time of delivery.</li> <li>For hand powered tools / powered tools: must be attached with tools certificate from manufacturer.</li> <li>For chemicals: All material delivery must be completed with symbol &amp; label as required on regulation in every containers/other packaging.</li> <li>For service: All personnel must have appropriate certification as required on local HSE Regulation.</li> </ul>					
<b>Sincerely Yours,</b>					
 <b>Hendang Suroso</b> <b>F&amp;A. Manager</b>					
<b>Date</b>					

Attachment :


1. Material list
2. Quotation format
3. Unprice document required
4. KPJB Contractor Safety Rules
5. PT. KPJB's General Terms and Conditions for Contract
6. Pakta Integritas Form
7. DPJT list and Bid Bond format
8. Term of Reference

	PT. KOMIPO PEMBANGKITAN JAWA BALI	Doc. Ref	: KPJB-0951-02
	PLTU TANJUNG JATI B #UNIT 3&4	Form No.	: KPJB-0951-02-ZZ-FM-03
	REQUEST FOR QUOTATION	Design Div.	: Finance and Administration
		Revision No.	: 00

Attachment 1: RFQ No. K19531

### MATERIAL LIST

Item No	Item Code	Description	Quantity	
			Order	Unit
1	215793/	VALVE,CHECK, NON RETURN VALVE, SIZE : 0.5 INCH, MODEL NO : A2958, BRAND : CLYDE HUATONG	16,00	PC
2	104740/	SEAL SET, ASH DISPOSAL SYSTEM, INSERT SEAL, DN200, OD : 280 MM, ID : 215 MM, MODEL NO : P17460C-01, BRAND : CLYDE HUATONG	56,00	PC
3	218791/	REGULATING ELEMENT,FLOW,VALVE, DOME VALVE ASSEMBLY, P/N: P30668D-00, SIZE: DN200, NON-COOLING DOME VALVE C/W ACTUATOR AND DIRECTIONAL VALVE, BRAND: CLYDE HUATONG	2,00	PC
4	206331/	SEALER, M3231, SHAFT SEALING COMPONENT DN 200, BRAND: CLYDE HUATONG	16,00	PC
5	217921/	VALVE,CHECK, NON RETURN VALVE, SIZE : 2.0 INCH, MODEL NO : A3382, BRAND : CLYDE HUATONG	8,00	PC
6	215811/	VALVE,BALL, VENT DOME OF VALVE DN50, MODEL NO : P30330D-00, BRAND : CLYDE HUATONG	2,00	PC
7	209222/	VALVE,GATE, SQUARE, MANUAL SLIDING VALVE, NOMINAL SIZE : 200x200 MM, MODEL NO : HFM, BRAND : CLYDE HUATONG	4,00	PC
8	215794/	VALVE,CHECK, NON RETURN VALVE, SIZE : 1 INCH, MODEL NO : A2969, BRAND : CLYDE HUATONG	16,00	PC
9	221005/	GASKET, EXPANSION JOINT GASKET, PN: CHG001-00, SIZE: 200 X 200 MM, BRAND: CLYDE HUATONG	56,00	PC
10	221006/	GASKET, EXPANSION JOINT GASKET, PN: CHG006-01, SIZE: DN200, BRAND: CLYDE HUATONG	56,00	PC
11	220350/	EXPANSION JOINT,PIPE, DN200, PN: P27143D-02, MFG: CLYDE HUATONG	16,00	PC
12	220354/	SHAFT ASSEMBLY, DRIVE SHAFT DN200, PN: CP1016D-00, MFG: CLYDE HUATONG	4,00	PC
13	215809/	METAL PLATE, TOP, DOME VALVE, WATER-COOLED CREST SLAB, DN200, MODEL NO : CP30474B-01, BRAND : CLYDE HUATONG	2,00	PC
14	211642/	DISK,VALVE, DOME, NON COOLING, DN200, MODEL NO : CP1158B-00, BRAND : CLYDE HUATONG	2,00	PC
15	211640/	METAL PLATE, TOP, DOME VALVE, DN200, MODEL NO : CP29669D-00, BRAND : CLYDE HUATONG	2,00	PC
16	206335/	SHAFT ASSEMBLY, WATER COOLING SHAFT COMPONENT DN200, P2696C-02, BRAND: CLYDE HUATONG	4,00	PC
17	223688/	REGULATING ELEMENT,FLOW,VALVE, DOME VALVE ASSEMBLY, P/N: CH4125D-00, SIZE: DN 200, DOUBLE HEAT INSULATING DOME VALVE C/W ACTUATOR AND DIRECTIONAL VALVE, BRAND: CLYDE HUATONG	2,00	PC
18	104742/	SEAL SET, ASH DISPOSAL SYSTEM INSERT SEAL - DN80, CLYDE, OD=125 ID=86 T=20 MM, PART NO : P19081C-00	14,00	PC

	<b>PT. KOMIPO PEMBANGKITAN JAWA BALI</b>	Doc. Ref	: KPJB-0951-02
	<b>PLTU TANJUNG JATI B #UNIT 3&amp;4</b>	Form No.	: KPJB-0951-02-ZZ-FM-03
	<b>REQUEST FOR QUOTATION</b>	Design Div.	: Finance and Administration
		Revision No.	: 00

Attachment 2: RFQ No. K19531

Quotation format

A. Price Quotation

<COMPANY LOGO>

**Quotation**

**No:**

Item No	Item Code	Description	Quantity		Price (IDR)	
			Order	Unit	Unit Price	Total
1	215793/	VALVE,CHECK, NON RETURN VALVE, SIZE : 0.5 INCH, MODEL NO : A2958, BRAND : CLYDE HUATONG	16,00	PC		
2	104740/	SEAL SET, ASH DISPOSAL SYSTEM, INSERT SEAL, DN200, OD : 280 MM, ID : 215 MM, MODEL NO : P17460C-01, BRAND : CLYDE HUATONG	56,00	PC		
3	218791/	REGULATING ELEMENT, FLOW, VALVE, DOME VALVE ASSEMBLY, P/N: P30668D-00, SIZE: DN200, NON-COOLING DOME VALVE C/W ACTUATOR AND DIRECTIONAL VALVE, BRAND: CLYDE HUATONG	2,00	PC		
4	206331/	SEALER, M3231, SHAFT SEALING COMPONENT DN 200, BRAND: CLYDE HUATONG	16,00	PC		
5	217921/	VALVE,CHECK, NON RETURN VALVE, SIZE : 2.0 INCH, MODEL NO : A3382, BRAND : CLYDE HUATONG	8,00	PC		
6	215811/	VALVE,BALL, VENT DOME OF VALVE DN50, MODEL NO : P30330D-00, BRAND : CLYDE HUATONG	2,00	PC		
7	209222/	VALVE,GATE, SQUARE, MANUAL SLIDING VALVE, NOMINAL SIZE : 200x200 MM, MODEL NO : HFM, BRAND : CLYDE HUATONG	4,00	PC		
8	215794/	VALVE,CHECK, NON RETURN VALVE, SIZE : 1 INCH, MODEL NO : A2969, BRAND : CLYDE HUATONG	16,00	PC		
9	221005/	GASKET, EXPANSION JOINT GASKET, PN: CHG001-00, SIZE: 200 X 200 MM, BRAND: CLYDE HUATONG	56,00	PC		
10	221006/	GASKET, EXPANSION JOINT GASKET, PN: CHG006-01, SIZE: DN200, BRAND: CLYDE HUATONG	56,00	PC		
11	220350/	EXPANSION JOINT, PIPE, DN200, PN: P27143D-02, MFG: CLYDE HUATONG	16,00	PC		
12	220354/	SHAFT ASSEMBLY, DRIVE SHAFT DN200, PN: CP1016D-00, MFG: CLYDE HUATONG	4,00	PC		
13	215809/	METAL PLATE, TOP, DOME VALVE, WATER-COOLED CREST SLAB, DN200, MODEL NO : CP30474B-01, BRAND : CLYDE HUATONG	2,00	PC		
14	211642/	DISK, VALVE, DOME, NON COOLING, DN200, MODEL NO : CP1158B-00, BRAND : CLYDE HUATONG	2,00	PC		
15	211640/	METAL PLATE, TOP, DOME VALVE, DN200, MODEL NO : CP29669D-00, BRAND : CLYDE HUATONG	2,00	PC		
16	206335/	SHAFT ASSEMBLY, WATER COOLING SHAFT COMPONENT DN200, P2696C-02, BRAND: CLYDE HUATONG	4,00	PC		
17	223688/	REGULATING ELEMENT, FLOW, VALVE, DOME VALVE ASSEMBLY, P/N: CH4125D-00, SIZE: DN 200, DOUBLE HEAT INSULATING DOME VALVE C/W ACTUATOR AND	2,00	PC		

	PT. KOMIPO PEMBANGKITAN JAWA BALI	Doc. Ref	: KPJB-0951-02
	PLTU TANJUNG JATI B #UNIT 3&4	Form No.	: KPJB-0951-02-ZZ-FM-03
	REQUEST FOR QUOTATION	Design Div.	:Finance and Administration
		Revision No.	:00


		DIRECTIONAL VALVE, BRAND: CLYDE HUATONG				
18	104742/	SEAL SET, ASH DISPOSAL SYSTEM INSERT SEAL - DN80, CLYDE, OD=125 ID=86 T=20 MM, PART NO : P19081C-00	14,00	PC		
		<b>TOTAL</b>				
		<b>VAT 11%</b>				
		<b>GRAND TOTAL</b>				

..... rupiah (Please mention the price in words)

Term and Conditions:

1. The above price are included delivery cost to warehouse of PT. KPJB
2. Please mention Certificate is required at the delivery time
3. Payment will be made by Telegraphic Transfer (T/T) within forty five (45) days after invoice received, attached with delivery or work completion report issued by PT.KPJB.
4. Please mention Bank Account that will be use for payment (including Bank Name, Bank Address)
5. Please mention Name of Director

Place, [Month] [Date] [Year]  
SIGN & COMPANY STAMP  
DUTY STAMP / MATERAI (10000)  
Name  
(Title)

	<b>PT. KOMIPO PEMBANGKITAN JAWA BALI</b>	Doc. Ref	: KPJB-0951-02
	<b>PLTU TANJUNG JATI B #UNIT 3&amp;4</b>	Form No.	: KPJB-0951-02-ZZ-FM-03
	<b>REQUEST FOR QUOTATION</b>	Design Div.	: Finance and Administration
		Revision No.	: 00

B. Unpriced Quotation

<COMPANY LOGO>

**Quotation**

No:

Item No	Item Code	Description	Quantity		Delivery Time
			Order	Unit	
1	215793/	VALVE,CHECK, NON RETURN VALVE, SIZE : 0.5 INCH, MODEL NO : A2958, BRAND : CLYDE HUATONG	16,00	PC	
2	104740/	SEAL SET, ASH DISPOSAL SYSTEM, INSERT SEAL, DN200, OD : 280 MM, ID : 215 MM, MODEL NO : P17460C-01, BRAND : CLYDE HUATONG	56,00	PC	
3	218791/	REGULATING ELEMENT, FLOW, VALVE, DOME VALVE ASSEMBLY, P/N: P30668D-00, SIZE: DN200, NON-COOLING DOME VALVE C/W ACTUATOR AND DIRECTIONAL VALVE, BRAND: CLYDE HUATONG	2,00	PC	
4	206331/	SEALER, M3231, SHAFT SEALING COMPONENT DN 200, BRAND: CLYDE HUATONG	16,00	PC	
5	217921/	VALVE,CHECK, NON RETURN VALVE, SIZE : 2.0 INCH, MODEL NO : A3382, BRAND : CLYDE HUATONG	8,00	PC	
6	215811/	VALVE,BALL, VENT DOME OF VALVE DN50, MODEL NO : P30330D-00, BRAND : CLYDE HUATONG	2,00	PC	
7	209222/	VALVE,GATE, SQUARE, MANUAL SLIDING VALVE, NOMINAL SIZE : 200x200 MM, MODEL NO : HFM, BRAND : CLYDE HUATONG	4,00	PC	
8	215794/	VALVE,CHECK, NON RETURN VALVE, SIZE : 1 INCH, MODEL NO : A2969, BRAND : CLYDE HUATONG	16,00	PC	
9	221005/	GASKET, EXPANSION JOINT GASKET, PN: CHG001-00, SIZE: 200 X 200 MM, BRAND: CLYDE HUATONG	56,00	PC	
10	221006/	GASKET, EXPANSION JOINT GASKET, PN: CHG006-01, SIZE: DN200, BRAND: CLYDE HUATONG	56,00	PC	
11	220350/	EXPANSION JOINT, PIPE, DN200, PN: P27143D-02, MFG: CLYDE HUATONG	16,00	PC	
12	220354/	SHAFT ASSEMBLY, DRIVE SHAFT DN200, PN: CP1016D-00, MFG: CLYDE HUATONG	4,00	PC	
13	215809/	METAL PLATE, TOP, DOME VALVE, WATER-COOLED CREST SLAB, DN200, MODEL NO : CP30474B-01, BRAND : CLYDE HUATONG	2,00	PC	
14	211642/	DISK, VALVE, DOME, NON COOLING, DN200, MODEL NO : CP1158B-00, BRAND : CLYDE HUATONG	2,00	PC	
15	211640/	METAL PLATE, TOP, DOME VALVE, DN200, MODEL NO : CP29669D-00, BRAND : CLYDE HUATONG	2,00	PC	
16	206335/	SHAFT ASSEMBLY, WATER COOLING SHAFT COMPONENT DN200, P2696C-02, BRAND: CLYDE HUATONG	4,00	PC	
17	223688/	REGULATING ELEMENT, FLOW, VALVE, DOME VALVE ASSEMBLY, P/N: CH4125D-00, SIZE: DN 200, DOUBLE HEAT INSULATING DOME VALVE C/W ACTUATOR AND DIRECTIONAL VALVE, BRAND: CLYDE HUATONG	2,00	PC	
18	104742/	SEAL SET, ASH DISPOSAL SYSTEM INSERT SEAL - DN80, CLYDE, OD=125 ID=86 T=20 MM, PART NO : P19081C-00	14,00	PC	

	PT. KOMIPO PEMBANGKITAN JAWA BALI	Doc. Ref	: KPJB-0951-02
	PLTU TANJUNG JATI B #UNIT 3&4	Form No.	: KPJB-0951-02-ZZ-FM-03
	REQUEST FOR QUOTATION	Design Div.	:Finance and Administration
		Revision No.	:00

Term and Conditions:

1. The above price are included delivery cost to warehouse of PT. KPJB
2. Please mention Certificate is required at the delivery time
3. Payment will be made by Telegraphic Transfer (T/T) within forty five (45) days after invoice received, attached with delivery or work completion report issued by PT.KPJB.
4. Please mention Bank Account that will be use for payment (including Bank Name, Bank Address)
5. Please mention Name of Director

Place, [Month] [Date] [Year]  
SIGN & COMPANY STAMP

Name  
(Title)

	PT. KOMIPO PEMBANGKITAN JAWA BALI	Doc. Ref	: KPJB-0951-02
	PLTU TANJUNG JATI B #UNIT 3&4	Form No.	: KPJB-0951-02-ZZ-FM-03
	REQUEST FOR QUOTATION	Design Div.	: Finance and Administration
		Revision No.	: 00

Attachment 3: RFQ No. K19531

**(KOP PERUSAHAAN/BADAN/LEMBAGA)**

**PAKTA INTEGRITAS**

Saya yang bertanda tangan di bawah ini, dalam rangka Pengadaan ..... (*diisi Nama Pengadaan*) dengan nomor ..... (*diisi nomor RFQ/PR*), pada satuan kerja PT KPJB yang dalam hal ini mewakili PT PLN (Persero) Unit Induk Pembangkitan Tanjung Jati B Jepara dengan ini menyatakan bahwa saya:

1. Akan mentaati peraturan tentang Pedoman Pengadaan Barang/Jasa di Lingkungan PT KPJB dan PT PLN (Persero), dan peraturan perundang-undangan yang terkait dengan pengadaan;
2. Tidak akan melakukan persengkokolan/pengaturan/kerjasama diantara para Peserta Pengadaan/Jasa lain dan/atau Pengguna Barang/Jasa dan/atau Pelaksana Pengadaan yang dapat mengakibatkan terjadinya persaingan usaha tidak sehat;
3. Mendukung prinsip **4 NO's** yang dijunjung tinggi oleh PT KPJB dan PT PLN (Persero) yaitu:
  - a. **No Bribery** (tidak boleh ada suap menyuap dan pemerasan)
  - b. **No Kickback** (tidak boleh ada komisi, tanda terimakasih baik dalam bentuk uang dan dalam bentuk lainnya);
  - c. **No Gift** (tidak boleh ada hadiah atau gratifikasi yang bertentangan dengan peraturan
  - d. **No Luxirious Hospitality** (tidak boleh ada penyambutan dan jamuan yang berlebihan).
4. Tidak akan melakukan komunikasi yang mengarah dan/atau melakukan praktek Korupsi, Kolusi dan Nepotisme (KKN)
5. Akan melakukan proses pengadaan secara bersih dan transparan agar menghasilkan pekerjaan sesuai ketentuan peraturan perundang-undangan yang berlaku.

Apabila saya melanggar hal-hal yangtelah saya nyatakan dalam Pakta Integritas ini, saya bersedia dikenakan sanksi sesuai dengan ketentuan peraturan perundang-undangan yang berlaku.

\_\_\_\_\_ [Tempat], \_\_\_\_\_ [Tanggal]

[Tanda Tangan & Cap Perusahaan & Materai 10.000]

\_\_\_\_\_ [Nama Jelas]

\_\_\_\_\_ [Jabatan]

	PT. KOMIPO PEMBANGKITAN JAWA BALI	Doc. Ref	: KPJB-0951-02
	PLTU TANJUNG JATI B #UNIT 3&4	Form No.	: KPJB-0951-02-ZZ-FM-03
	REQUEST FOR QUOTATION	Design Div.	: Finance and Administration
		Revision No.	: 00

Attachment 4: RFQ No. K19531

**(KOP PERUSAHAAN/BADAN/LEMBAGA)**

### SURAT PERNYATAAN KEASLIAN DOKUMEN

Yang bertanda tangan di bawah ini :

Nama :  
 Jabatan :  
 Alamat :

Sehubungan dengan pekerjaan :

Judul Pekerjaan :  
 RFQ No. :

Menyatakan dengan sesungguhnya bahwa segala dokumen yang kami sampaikan adalah benar dan apabila dikemudian hari ditemukan bahwa dokumen – dokumen yang telah kami sampaikan tidak benar dan ada pemalsuan, maka kami bersedia dikenakan sanksi sesuai peraturan perundang – undangan yang berlaku.

\_\_\_\_\_ [Tempat], \_\_\_\_\_ [Tanggal]

[Tanda Tangan & Cap Perusahaan & Materai 10.000]

\_\_\_\_\_ [Nama Jelas]

\_\_\_\_\_ [Jabatan]

	<b>PT. KOMIPO PEMBANGKITAN JAWA BALI</b>	Doc. Ref	: KPJB-0951-02
	<b>PLTU TANJUNG JATI B #UNIT 3&amp;4</b>	Form No.	: KPJB-0951-02-ZZ-FM-03
	<b>REQUEST FOR QUOTATION</b>	Design Div.	: Finance and Administration
		Revision No.	: 00


Attachment 5: RFQ No. K19531

### Unprice Document Required

No.	Syarat Administrasi (Administration Requirement)
<b>A.</b>	
1	Asli Surat Penawaran (Original Unprice quotation) yang: <ol style="list-style-type: none"> <li>1. Description sesuai permintaan</li> <li>2. Bertanggal (dated)</li> <li>3. Bertanda tangan dan Cap Perusahaan (Company stamped)</li> <li>4. Menyebutkan waktu pengiriman sampai gudang sesuai permintaan (Time Delivery)</li> </ol>
2	Pengalaman Pekerjaan dengan total harga kontrak senilai minimal IDR 1.250.000.000 – <b>menyerahkan copy kontrak atau PO</b> (Work Experience for contract amount minimum IDR 1.250.000.000 – <b>submitting the copy of the contract or PO</b> )
3	Copy pembayaran pajak SSP (PPN) 3 bulan terakhir periode: September, October, November 2025 (Copy of 3 month payment tax period of: September, October, November 2025)
4	Copy of financial report audited by public accountant minimum year of 2024. Fotokopi laporan keuangan teraudit oleh Kantor Akuntan Publik minimum tahun 2024
5	Copy of SPT Tahunan year of 2024
6	Original Pakta Integritas
7	Original Bid bond 1% up to 3% from price quotation (including VAT) with the validity until _____ <b>14 JUL 2026</b> <ul style="list-style-type: none"> <li>- Bid bond should be issued by Bank based on DPJT list and format issued by PLN</li> <li>- Beneficiary of Bid bond to: PT. Perusahaan Listrik Negara (Persero) UIK Tanjung Jati B Desa Tubanan, Kecamatan Kembang, Jepara Jaminan Penawaran asli 1% sampai dengan 3% dari Penawaran Harga (termasuk PPN) dengan validitas sampai dengan <b>14 JUL 2026</b></li> </ul>
8	Surat Pernyataan Keaslian Dokumen
9	Vendor participants must have registered CSMS Certificate (minimum: Low Risk Level) issued by PT. PLN (Persero) - submitting the copy of the document
<b>B.</b>	
1	Copy Surat Ijin Usaha Perusahaan – SIUP / BKPM (PMA) (copy of Business License )
2	Copy Surat Ijin Tempat Usaha – SITU / DOMISILI / HO (Copy of Domicile Certificate)
3	Copy Nomor Pokok Wajib Pajak - NPWP (Copy Tax ID number of company)
4	Copy Surat Pengukuhan Perusahaan Kena Pajak - SPPKP (Copy of Taxable Company Certificate)
5	Copy Tanda Daftar Perusahaan – TDP / NIB (Copy of Certificate Company Registration)
6	Copy Akte pendirian perusahaan/perubahan *jika ada (Deed of Incorporation)

**Note: Administration Requirement point B 1-6 is not required to be submitted if your company already registered in our SAP and the Company data submitted still valid until closing time. If any document not submitted by the suppliers or the submitted document do not meet the requirement, we will regard that the supplier fails and we will not open the price quotation document (price evaluation)**

*Catatan: Syarat Administrasi no. B 1-6 tidak perlu di kirimkan jika perusahaan anda sudah terdaftar di SAP kami dan data yang dahulu di kirimkan masih berlaku sampai dengan waktu penutupan bidding. Jika ada*

	<b>PT. KOMIPO PEMBANGKITAN JAWA BALI</b>	Doc. Ref	: KPJB-0951-02
	<b>PLTU TANJUNG JATI B #UNIT 3&amp;4</b>	Form No.	: KPJB-0951-02-ZZ-FM-03
	<b>REQUEST FOR QUOTATION</b>	Design Div.	:Finance and Administration
		Revision No.	:00

*dokumen yang tidak diserahkan atau dokumen yang diserahkan tidak sesuai dengan persyaratan, kami akan menganggap bahwa supplier gagal dan kami tidak akan membuka dokumen penawaran harga (evaluasi harga).*



**PT. KOMPIO PEMBANGKITAN JAWA BALI  
PLTU TANJUNG JATI B #UNIT 3&4**

**REQUEST FOR QUOTATION**

Doc. Ref	: KPJB-0951-02
Form No.	: KPJB-0951-02-ZZ-FM-03
Design Div.	: Finance and Administration
Revision No.	: 00

**TERMS AND CONDITION**

Lampiran

PO NO :

Description :

**SYARAT - SYARAT DAN KONDISI**

**KETENTUAN UMUM**

Singkatan dan istilah umum :

"**Purchase Order/PO**" adalah Surat Pesanan Pembelian (*Purchase Order* atau *PO*).

"**ASET OPERATOR**" adalah PT Komipo Pembangkitan Jawa Bali (PT. KPJB)

"**PLN TJB**" adalah PT PLN (Persero) Unit Induk Pembangkitan Tanjung Jati B.

"**PPN**" adalah Pajak Pertambahan Nilai.

**1. SURAT MENYURAT**

Setiap surat menyurat harus menggunakan Kop Surat Perusahaan yang mencantumkan Nomor *Purchase Order/PO* , Nomor Surat Penawaran, Tanggal dan ditandatangani di atas meterai oleh Penyedia Barang/Jasa (oleh Direktur atau yang dikuasakan berdasarkan Anggaran Dasar Perusahaan), dan dialamatkan kepada: **ASET OPERATOR**, Procurement, Jepara.

Korespondensi antara **ASET OPERATOR** dan Penyedia Barang/Jasa dapat dilaksanakan melalui surat, faksimili, atau *e-mail* dan ditujukan kepada alamat masing-masing Pihak sebagaimana yang tercantum dalam *Purchase Order/PO*.

Salah satu Pihak dapat mengganti alamat, nomor telepon, faksimili dan/atau *E-mail* dengan memberikan pemberitahuan terlebih dahulu kepada Pihak lainnya.

**2. PROSES PENGADAAN**

Proses Pengadaan diadakan dengan sistem yang diputuskan oleh **ASET OPERATOR Procurement** dan **PLN TJB**, dimana prosedur yang berlaku yaitu sebagai berikut:

- 2.1 Penyedia Barang / Jasa yang diundang untuk Pengadaan adalah yang telah terdaftar di daftar Penyedia Barang/Jasa **ASET OPERATOR** dan telah disetujui oleh **PLN TJB** dengan diterbitkan "SAP CODE" oleh **PLN TJB**.
- 2.2 Menyerahkan Jaminan Penawaran untuk Surat Penawaran di atas Rp.500,000,000,- (Lima Ratus Juta Rupiah) dan/atau dipersyaratkan pada Undangan Pengadaan Barang / Jasa dengan nilai jaminan minimal 1% (satu persen) dan maksimal 3% (tiga persen) dari Harga Penawaran dari Penyedia Barang/Jasa termasuk PPN sesuai peraturan yang berlaku, kepada **ASET OPERATOR** dengan masa berlaku adalah 90 (Sembilan Puluh) hari kalender terhitung dari tanggal yang tertera di Surat Penawaran Harga. Jaminan Penawaran Harus diterbitkan oleh Bank sesuai dengan Daftar Penyedia Jaminan Terseleksi (DPJT) PLN yang telah disetujui oleh **ASET OPERATOR** dan/atau **PLN TJB**.
- 2.3 Penyedia Barang/Jasa wajib memenuhi persyaratan yang diminta oleh **ASET OPERATOR Procurement** dan tercantum dalam Surat Penawaran Harga, yaitu sebagai berikut:
  - 2.3.1 Jadwal Pengiriman/pekerjaan yang diajukan dalam Surat Penawaran Harga adalah dalam hitungan "**HARI KALENDER atau TANGGAL yang disepakati**".
  - 2.3.2 Sertifikat dan/atau dokumen lainnya yang dipersyaratkan dalam permintaan barang/jasa yang akan diserahkan, maka harus tercantum dalam Surat Penawaran Harga dan itu adalah "**SERTIFIKAT/DOKUMEN ASLI**", kecuali ada ketentuan dan persetujuan lain yang disepakati Para Pihak (Penyedia Barang/Jasa dan **ASET OPERATOR Procurement**).
  - 2.3.3 Harga Yang ditawarkan adalah dalam "**RUPIAH**" sesuai dengan peraturan yang berlaku, kecuali ada ketentuan dan persetujuan lain yang disepakati Para Pihak (Penyedia Barang/Jasa dan **ASET OPERATOR Procurement**).
  - 2.3.4 Surat Penawaran Harga yang diserahkan ke **ASET OPERATOR Procurement** harus menggunakan kop surat resmi perusahaan, bertanggal, bermeterai dan ditandatangani oleh Penyedia Barang/Jasa (oleh Direktur atau yang dikuasakan berdasarkan Anggaran Dasar Perusahaan).
  - 2.3.5 Masa berlaku Surat Penawaran Harga adalah 90 (Sembilan Puluh) Hari Kalender sejak tanggal Surat Penawaran Harga dibuat.
  - 2.3.6 Syarat dan Kondisi penyerahan barang/jasa adalah "**DDP Tanjung Jati B**" (*incoterms* 2000), kecuali ada ketentuan dan persetujuan lain yang disepakati Para Pihak (Penyedia Barang/Jasa dan **ASET OPERATOR Procurement**).
  - 2.3.7 Syarat dan Kondisi Pembayaran adalah 45 (empat puluh lima) Hari Kalender sejak barang/atau bukti penyelesaian pekerjaan dan dokumen lainnya yang dipersyaratkan dalam *Purchase Order/PO* lengkap diterima oleh **ASET OPERATOR** dan **PLN TJB**.
  - 2.3.8 Penyedia Barang/Jasa dipersyaratkan mencantumkan kesanggupan untuk menerbitkan "**Surat Pernyataan Jaminan/Warranty Letter**", yang menyatakan bahwa barang yang dikirimkan adalah Asli, Baru dan Tidak ada cacat. *Purchase Order/PO* lengkap diterima oleh **ASET OPERATOR** dan dapat digunakan, dan ditandatangani di atas meterai oleh Penyedia Barang/Jasa (oleh Direktur atau yang dikuasakan berdasarkan Anggaran Dasar Perusahaan). Jika dipersyaratkan dalam PO
- 2.4 Surat Penawaran Harga dan Dokumen pengadaan lainnya yang telah diterima oleh **ASET OPERATOR Procurement** adalah mutlak milik **ASET OPERATOR Procurement** dan keputusan yang dibuat oleh **ASET OPERATOR Procurement Komite** adalah mutlak dan tidak dapat diganggu gugat.
- 2.5 Adapun Syarat dan Ketentuan lainnya yang ditetapkan terpisah adalah satu kesatuan dari Syarat –Syarat dan Kondisi pada lampiran 2.

**3. PERSETUJUAN PURCHASE ORDER/PO**

Sebagai konfirmasi persetujuan Pesanan atau syarat-syarat *Purchase Order/PO*, Nomor Referensi Rekanan wajib menandatangani Surat *Purchase Order/PO* di atas meterai yang cukup pada kolom yang tersedia dan mengembalikan kepada Procurement **ASET OPERATOR**.

**3.1 PROSES PURCHASE ORDER/PO**

Proses *Purchase Order/PO* diberlakukan dalam tahap sebagai berikut:

- 3.1.1 *Purchase Order/PO* atas nama **PLN TJB** lebih besar dari Rp.500,000,000,- (Lima Ratus Juta Rupiah), maka Penyedia Barang/Jasa diwajibkan menyerahkan Jaminan Pelaksanaan ditujukan ke **PLN TJB**, bernilai minimal 5% (lima persen) dari total harga barang/ jasa yang tercantum dalam *Purchase Order/PO* termasuk PPN sesuai dengan peraturan yang berlaku.
- 3.1.2 *Purchase Order/PO* Asli yang telah lengkap ditandatangani oleh **ASET OPERATOR** atas sepengetahuan dan persetujuan **PLN TJB** terlebih dahulu, dan wajib ditandatangani di atas meterai oleh Penyedia Barang/Jasa (oleh Direktur atau yang dikuasakan berdasarkan Anggaran Dasar Perusahaan) dan dikembalikan kepada Procurement **ASET OPERATOR**.
- 3.1.3 *Aktivasi Surat Purchase Order/PO* adalah 7 (tujuh) Hari Kalender sejak *Purchase Order/PO* dikirimkan melalui surat tertulis dan/atau surat elektronik (*surel/email*) oleh Procurement **ASET OPERATOR**.



**PT. KOMIPO PEMBANGKITAN JAWA BALI  
PLTU TANJUNG JATI B #UNIT 3&4**

**REQUEST FOR QUOTATION**

Doc. Ref	: KPJB-0951-02
Form No.	: KPJB-0951-02-ZZ-FM-03
Design Div.	: Finance and Administration
Revision No.	: 00

3.1.4 Jangka Waktu berlakunya *Purchase Order/PO* ditetapkan dalam *Purchase Order/PO*, pada kolom "**Start Date**" dan "**End Date**".  
3.1.5 Pada ketentuan Pasal 3.1.1 dimana **ASET OPERATOR** akan mengirimkan surat "*Appointment of awarded Supplier*" melalui surat tertulis dan/atau Surat Elektronik (surel/email) kepada Penyedia Barang/Jasa, dan selambat-lambatnya dalam waktu 14 (empat belas) Hari Kalender setelah tanggal dikirimkan surat "*Appointment of awarded Supplier*", maka Jaminan Pelaksanaan harus diterima oleh Procurement **ASET OPERATOR**, apabila telah melewati jangka waktu yang telah ditetapkan dan pihak Penyedia Barang/Jasa belum memberikan Jaminan Pelaksanaan, maka **ASET OPERATOR** mempunyai hak membatalkan perikatan hukum (*Purchase Order/PO*) dengan Penyedia Barang/Jasa. Penyedia Barang/Jasa dianggap mengundurkan diri dan Jaminan Penawaran dicairkan tanpa syarat. Penyedia Barang/Jasa dianggap telah melakukan Wanprestasi dan akan dikenakan sanksi sesuai dengan peraturan yang berlaku di **ASET OPERATOR** dan **PLN TJB**.

3.2 **ASET OPERATOR** dan Penyedia Barang/Jasa sepakat dalam hal **ASET OPERATOR** membatalkan *Purchase Order/PO* maka **ASET OPERATOR** dan **PLN TJB** tanpa terkecuali dibebaskan dari segala bentuk gugatan dan laporan hukum, sanksi, ganti rugi, penggantian biaya-biaya maupun ongkos-ongkos apapun sehingga Penyedia Barang/Jasa tidak memiliki hak dan wewenang untuk menuntut pertanggungjawaban apapun lagi dari **ASET OPERATOR** dan **PLN TJB**.

3.3 *Purchase Order/PO* dan Ketentuan lainnya yang ditetapkan terpisah adalah satu kesatuan dari Syarat –Syarat dan Kondisi lampiran 2.

**4. JANGKA WAKTU PELAKSANAAN**

Jangka Waktu Pelaksanaan adalah Jangka Waktu yang tertera dalam *Purchase Order/PO* sesuai pada ketentuan Pasal 3.1.4, kecuali adanya pengakhiran atau perpanjangan berdasarkan kesepakatan Para Pihak.

**5. PERPANJANGAN WAKTU PELAKSANAAN**

Setiap perpanjangan waktu pelaksanaan akan diterbitkan Amendemen *Purchase Order/PO* dengan Jangka Waktu yang disepakati Para Pihak.

**6. PERUBAHAN PURCHASE ORDER/PO (AMENDMENT PO)**

Setiap perubahan atas *Purchase Order/PO* mengenai Masa berlaku *Purchase Order/PO*, sebagaimana ketentuan pada Pasal 3.1.4 dan syarat-syarat dan kondisi lain hanya akan mengikat apabila disetujui secara tertulis dari **ASET OPERATOR** atas nama **PLN TJB** dengan diterbitkannya *Amendment PO* yang diterbitkan 2 (dua) rangkap yang masing - masing rangkap ditandatangani diatas meterai oleh **ASET OPERATOR** dan Penyedia Barang/Jasa.

**7. BARANG-BARANG**

7.1 Semua barang yang dipasok/disuplai harus sesuai dengan perincian yang tercantum dalam *Purchase Order/PO*.

7.2 Penyimpangan dari ketentuan-ketentuan di atas tidak diperkenankan tanpa persetujuan tertulis/tanpa *Amendment PO* dari **ASET OPERATOR**.

**8. KEMASAN**

Kemasan harus dibuat kuat (dalam wujud kayu atau karton) dan layak laut atau udara sesuai dengan standar yang berlaku bagi kemasan. Semua harga bahan kemasan telah termasuk dalam harga yang telah disetujui. Pada setiap kemasan harus dicantumkan nama barang.

**9. PEMERIKSAAN**

9.1 Pemeriksaan sebelum pengapalan; apabila pemeriksaan sebelum pengapalan diperlukan, maka **ASET OPERATOR** dan/atau **PLN TJB** akan melakukan pemeriksaan barang di tempat Penyedia Barang/Jasa atau tempat lain yang disetujui Para Pihak.

9.2 Barang akan diperiksa pada waktu penyerahan dilaksanakan setelah lengkap dengan dokumen yang dipersyaratkan pada *Purchase Order/PO*. Barang yang tidak memenuhi syarat-syarat yang ditentukan dalam *Purchase Order/PO* akan dikembalikan kepada Penyedia Barang/Jasa, dan semua biaya dan kerugian akan ditimbulkan menjadi risiko dan tanggung jawab Penyedia Barang/Jasa.

**10. SERTIFIKASI**

Sertifikat untuk barang (-barang) tertentu yang ditetapkan oleh **ASET OPERATOR** dan **PLN TJB** adalah sebagai berikut:

- Sertifikat Asal Usul Barang (*Certificate of Origin/COO*);
- Sertifikat dari Pabrik (*Certificate of Manufacture/COM*);
- Surat Keaslian Barang;
- Sertifikat Hasil Uji Pabrik (*Factory Acceptance Test Certificate*);
- Salinan Dokumen Impor Barang (*Copy Bill of Lading*);
- Sertifikat Analisa (*Certificate of Analysis/COA*);

ataupun dokumen-dokumen pendukung lainnya (sebagaimana dipersyaratkan khusus di *Purchase Order/PO*).

**11. PENYERAHAN**

11.1 Penyedia Barang/Jasa harus menyerahkan barang (-barang) dalam jangka waktu dan tempat sesuai dengan syarat-syarat yang telah ditentukan dalam *Purchase Order/PO*.

11.2 Dalam jangka waktu paling lambat 7 (tujuh) Hari Kalender sebelum pengiriman barang (-barang), Penyedia Barang/Jasa harus memberitahukan **ASET OPERATOR** mengenai jadwal pengiriman.

11.3 Waktu Penyerahan barang(-barang) dihitung efektif sejak 7 (tujuh) Hari Kalender sejak *Purchase Order/PO* dikirimkan melalui surat tertulis dan/atau Surat Elektronik (surel/ email) oleh Procurement **ASET OPERATOR** ditambah jangka waktu pengiriman yang tercantum pada *Purchase Order/PO* sebagaimana ketentuan pada Pasal 3.1.5 dan lengkap disertai dengan penyerahan dokumen pendukung yang dipersyaratkan dalam *Purchase Order/PO*.

**12. DENDA SANKSI**

12.1 Sanksi atas pencairan Jaminan Penawaran tanpa syarat apabila Penyedia Barang/Jasa membatalkan *Purchase Order/PO* secara sepihak, tanpa persetujuan **ASET OPERATOR** dan **PLN TJB**, sebagaimana ketentuan pada Pasal 2.2 dan Pasal 3.1.6. Penyedia Barang/Jasa dianggap telah melakukan Wanprestasi dan mendapatkan sanksi *blacklist* di lingkungan **ASET OPERATOR** dan **PLN TJB** minimal 2 (dua) tahun.

12.2 Denda atas keterlambatan menyelesaikan pekerjaan atau memasok Barang adalah setiap hari keterlambatan dikenakan 1/1000 (satu per seribu) dengan maksimal denda keterlambatan adalah 5% (lima persen) dari total nilai *Purchase Order/PO* belum termasuk PPN sesuai dengan peraturan yang berlaku dan/atau sama dengan maksimal keterlambatan pengiriman maksimal adalah 50 (lima puluh) Hari Kalender, kecuali ada kesepakatan lain antara Para Pihak. Serta melakukan pemotongan pembayaran kepada Penyedia Barang/Jasa dengan menggunakan nilai denda yang sudah ditetapkan **ASET OPERATOR** tersebut sebagai dasar pemotongan.

12.3 Batas maksimal Penyedia Barang/Jasa dalam keterlambatan adalah 3 (tiga) *Purchase Order/PO* dan Penyedia Barang/Jasa akan di tangguhkan ("*suspend*") atau tidak dapat turut serta dalam proses pengadaan berikutnya. Pemberian Penangguhan ("*suspend*") kepada Penyedia Barang/Jasa adalah hak mutlak **ASET OPERATOR** atas persetujuan **PLN TJB**, dan tanpa pemberitahuan resmi kepada Penyedia Barang/Jasa.

12.4 Penyedia Barang/Jasa tidak dapat membatalkan *Purchase Order/PO* sepihak kepada **ASET OPERATOR** dan/atau **PLN TJB**. Bila Penyedia Barang/Jasa tidak sanggup menyerahkan atau menyelesaikan pekerjaannya dalam waktu yang telah ditentukan, **ASET OPERATOR** dan/atau **PLN TJB** sebagaimana ketentuan pada Pasal 11.3, maka **ASET OPERATOR** memiliki hak dan wewenang penuh untuk:



**PT. KOMIPO PEMBANGKITAN JAWA BALI**  
**PLTU TANJUNG JATI B #UNIT 3&4**

**REQUEST FOR QUOTATION**

Doc. Ref	: KPJB-0951-02
Form No.	: KPJB-0951-02-ZZ-FM-03
Design Div.	: Finance and Administration
Revision No.	:00

- 12.4.1 Mengenakan denda maksimal sebesar 5% (lima persen) dari Total Nilai pada *Purchase Order/PO* atau mencairkan Jaminan Pelaksanaan tanpa syarat;
- 12.4.2 Dan/ Atau memesan barang/ jasa tersebut kepada sumber lain dan bila ada kelebihan harga yang dibayarkan **ASET OPERATOR** maka Penyedia Barang/Jasa wajib menanggung kelebihan harga tersebut;
- 12.4.3 Penyedia Barang/Jasa dianggap telah melakukan Wanprestasi dan mendapatkan sanksi *black list* di lingkungan **ASET OPERATOR** dan **PLN TJB** minimal 2 (dua) tahun disertai dengan membatalkan atau mengakhiri *PO* beserta pengakhiran ikatan Kerjasama dengan Penyedia Barang/Jasa.
- 12.5 Denda atau Sanksi dapat diabaikan dan/atau dihilangkan apabila keterlambatan atas suatu Pengadaan Barang atau Jasa yang dianggap oleh **ASET OPERATOR** dan/ atau **PLN TJB** adalah dikategorikan sebagai suatu "*Force Majeure*" sebagaimana ketentuan pada Pasal 16.

**13. TAHAPAN SURAT PEMBERITAHUAN, PERINGATAN, DAN PEMUTUSAN PURCHASE ORDER/PO KARENA WANPRESTASI**

13.1 Peristiwa-peristiwa yang digolongkan sebagai Wanprestasi adalah:

- a. Peristiwa Wanprestasi yang mengakibatkan *Purchase Order/PO* berakhir tanpa melalui surat peringatan dari **ASET OPERATOR** terhadap Penyedia Barang/Jasa adalah sebagai berikut:
- Penyedia Barang/Jasa terbukti melakukan tindak pidana antara lain adanya pemalsuan surat/dokumen, praktek korupsi, penyuapan, pemberian gratifikasi, persekongkolan, kecurangan dan pemalsuan yang berkaitan dengan proses pengadaan, *Purchase Order/PO* dan/atau pelaksanaan Pekerjaan.
  - Penyedia Barang/Jasa terbukti melakukan pelanggaran atas peraturan internal **ASET OPERATOR** dan/atau **PLN TJB** terkait *fraud*.
  - Berdasarkan putusan Pengadilan yang telah mempunyai kekuatan hukum tetap, Penyedia Barang/Jasa dinyatakan dalam keadaan pailit, pembubaran, likuidasi atau diberikan penundaan pembayaran hutang yang menyebabkan Penyedia Barang/Jasa tidak dapat melakukan kewajibannya berdasarkan *Purchase Order/PO*.
  - Penyedia Barang/Jasa terbukti dikenakan Sanksi Daftar Hitam (*blacklist*) sebelum penandatanganan *Purchase Order/PO*.
  - Apabila Jaminan Penawaran dan/atau Jaminan Pelaksanaan yang diserahkan oleh Penyedia Barang/Jasa kepada **ASET OPERATOR** dan/atau **PLN TJB** selama jangka waktu *Purchase Order/PO* terbukti palsu/tidak benar.
  - Setiap pernyataan yang dibuat oleh Penyedia Barang/Jasa di dalam *Purchase Order/PO* yang berkaitan dengan proses pengadaan *Purchase Order/PO* dan/atau pelaksanaan Pekerjaan terbukti tidak sah dan/atau tidak dilaksanakan oleh Penyedia Barang/Jasa.
- b. Peristiwa Wanprestasi yang mengakibatkan *Purchase Order/PO* berakhir melalui surat peringatan dari **ASET OPERATOR** terhadap Penyedia Barang/Jasa adalah sebagai berikut:
- Penyedia Barang/Jasa mengalihkan Pekerjaan baik sebagian atau seluruhnya atau hak atau kewajiban yang diatur dalam *Purchase Order/PO* tanpa persetujuan tertulis dari **ASET OPERATOR**;
  - Apabila denda yang diatur dalam *Purchase Order/PO* tidak dibayar oleh Penyedia Barang/Jasa kepada **ASET OPERATOR**.
  - Apabila Penyedia Barang/Jasa tidak melakukan perpanjangan Jaminan Pelaksanaan sebagaimana diatur dalam *Purchase Order/PO*.
  - Penyedia Barang/Jasa tidak memenuhi baik sebagian atau seluruh kewajiban sesuai ketentuan yang diatur dalam *Purchase Order/PO*.

13.2 Dalam hal terjadi Peristiwa Wanprestasi oleh Penyedia Barang/Jasa sebagaimana dimaksud Pasal 13 ayat 13.1 butir b Syarat Umum *Purchase Order/PO*, **ASET OPERATOR** berhak mengakhiri *Purchase Order/PO* dengan memberikan surat peringatan, dengan ketentuan sebagai berikut:

- a. Surat Pemberitahuan (*Notification Letter*): dikirimkan secara tertulis dan/atau melalui *Email* ke Penyedia Barang/Jasa maksimal 14 (empat belas) Hari Kalender sebelum jangka waktu pengiriman jatuh tempo yang tertera pada *Purchase Order/PO*.
- b. Surat Peringatan Resmi (*Official Warning Letter*): dikirimkan secara tertulis dan/atau melalui *Email* ke Penyedia Barang/Jasa yang mengalami keterlambatan pengiriman dengan ketentuan sebagai berikut:
- Surat Peringatan Pertama (*Warning Letter 1*): 1- 10 hari setelah masa berlakunya *Purchase Order/PO* berakhir (*end date*), dan Penyedia Barang/Jasawajib merespon dalam waktu 10 hari setelah Surat Peringatan Pertama (*Warning Letter 1*) diterima.
  - Surat Peringatan Kedua (*Warning Letter 2*): 21- 30 hari setelah masa berlakunya *Purchase Order/PO* berakhir (*end date*), dan Penyedia Barang/Jasawajib merespon dalam waktu 10 hari setelah Surat Peringatan Kedua (*Warning Letter 2*) diterima.
  - Warning Letter 3* ((Surat Pengakhiran/Pemutusan (*Termination Letter*)): 51 hari setelah masa berlakunya *Purchase Order/PO* berakhir (*end date*).
- c. Surat Pengakhiran/Pemutusan (*Termination Letter*): dikirimkan secara tertulis dan/atau melalui *Email* ke Penyedia Barang/Jasa setelah 2 (dua) surat pada Pasal 13.2.a dan 13.2.b di atas dikirimkan dan tidak tercapainya kesepakatan antara Para Pihak dalam penyelesaian permasalahan yang dimaksud dalam jangka waktu masa berlakunya *Purchase Order/PO*, maka secara sepihak yaitu **ASET OPERATOR** atas persetujuan **PLN TJB**, akan membatalkan *Purchase Order/PO* dengan mengirimkan Surat Pemutusan (*Termination Letter*) kepada Penyedia Barang/Jasa.
- d. Apabila Penyedia Barang/Jasa tidak menyelesaikan pekerjaan serta tidak tercapainya kesepakatan antara Para Pihak dalam penyelesaian pekerjaan yang dimaksud dalam jangka waktu masa berlakunya *Purchase Order/PO* dalam waktu sebagaimana disebutkan pada Pasal 13 ayat 13.2 butir c, maka **ASET OPERATOR** berhak mencairkan Jaminan Pelaksanaan Penyedia Barang/Jasa pada periode berjalan, dan mengakhiri *Purchase Order/PO* secara sepihak.

13.3 Dalam hal Penyedia Barang/Jasa telah melakukan pemulihan atau perbaikan sebagaimana dimaksud pada bab ini, dan pemulihan atau perbaikan tersebut disetujui oleh **ASET OPERATOR** maka peringatan tertulis yang telah diterbitkan tersebut tidak akan diperhitungkan sebagai pemberian peringatan yang berkelanjutan atau tidak berlaku kumulatif pada pemberian peringatan berikutnya.

13.4 Atas setiap pengakhiran dari *Purchase Order/PO*, seluruh kewajiban-kewajiban masing-masing Pihak berdasarkan *Purchase Order/PO* wajib berhenti, kecuali:

- Sehubungan dengan kewajiban-kewajiban pembayaran yang ditimbulkan dari tindakan-tindakan yang diambil sebelum pengakhiran tersebut (termasuk namun tidak terbatas pada hak normatif Pekerja Penyedia Barang/Jasa);
- Sebagaimana ditentukan lain dalam *Purchase Order/PO*;
- Bahwa ketentuan terkait Jaminan Pelaksanaan akan tetap berlaku walaupun *Purchase Order/PO* telah diakhiri; dan/atau
- Pengakhiran tersebut tidak akan mengurangi setiap hak atas ganti rugi atau setiap perbaikan lainnya yang mungkin dimiliki oleh masing-masing pihak berdasarkan *Purchase Order/PO*.


13.5 Dalam hal terjadi Peristiwa Wanprestasi Penyedia Barang/Jasa, maka Penyedia Barang/Jasa akan dikenakan hukuman/denda sesuai ketentuan pada *Purchase Order/PO*.

13.6 **ASET OPERATOR** akan memberlakukan hukuman daftar hitam (*blacklist*) bagi setiap pengakhiran *Purchase Order/PO* yang disebabkan karena wanprestasi Penyedia Barang/Jasa sebagaimana diatur lebih lanjut dalam ketentuan yang berlaku pada **ASET OPERATOR**.

13.7 Terhadap pengakhiran *Purchase Order/PO*, Para Pihak sepakat untuk tidak memberlakukan ketentuan Pasal 1266 Kitab Undang-Undang Hukum Perdata.

13.8 Akibat-akibat Pemutusan *Purchase Order/PO*:

- ASET OPERATOR** dan/atau **PLN TJB** dibebaskan dari segala tuntutan hutang-hutang Penyedia Barang/Jasa kepada pihak ketiga yang harus ditanggung oleh Penyedia Barang/Jasa;
- ASET OPERATOR** dan Penyedia Barang/Jasa segera mengadakan pemeriksaan bersama yang dituangkan dalam Berita Acara Pemeriksaan Pekerjaan dan/atau *Good Receipt* (GR) dan/atau *Join Inspection* (JI) yang meliputi beberapa prestasi yang telah selesai dikerjakan oleh Penyedia Barang/Jasa. Apabila Penyedia Barang/Jasa tidak bersedia mengadakan pemeriksaan bersama, maka **ASET OPERATOR** akan mengadakan

	<b>PT. KOMIPO PEMBANGKITAN JAWA BALI</b>	Doc. Ref	: KPJB-0951-02
	<b>PLTU TANJUNG JATI B #UNIT 3&amp;4</b>	Form No.	: KPJB-0951-02-ZZ-FM-03
	<b>REQUEST FOR QUOTATION</b>	Design Div.	: Finance and Administration
		Revision No.	: 00

- pemeriksaan terakhir dan hasilnya dianggap sebagai hasil pemeriksaan bersama;
- c. Penyedia Barang/Jasa hanya berhak mendapatkan pembayaran sesuai kemajuan pekerjaan yang telah dilaksanakan dan disetujui **ASET OPERATOR**. Peralatan dan bahan-bahan yang belum dipergunakan tidak termasuk dalam penilaian kemajuan pekerjaan;
  - d. **ASET OPERATOR** akan mengambil alih pekerjaan untuk diselesaikan dengan *Purchase Order/PO* lain atau dengan cara lain;

#### 14. HARGA

- 14.1 Harga yang tercantum dalam *Purchase Order/PO* ini adalah tetap, tidak berubah dan mengikat.
- 14.2 Bagi Pengusaha Kena Pajak ("PKP") harga yang tercantum dalam *Purchase Order/PO* tidak termasuk PPN sesuai dengan peraturan yang berlaku. PPN harus dinyatakan terpisah dari harga barang(-barang) yang dipesan.

#### 15. JAMINAN PENAWARAN DAN JAMINAN PELAKSANAAN

Jaminan dipersyaratkan untuk Pengadaan sebagai berikut :

- 15.1 Jaminan Penawaran adalah bernilai minimal 1% (satu persen) maksimal 3% (Tiga persen) dari Total Nilai Perkiraan Sendiri (HPS) atau Surat Penawaran Harga dari Penyedia Barang/Jasa termasuk PPN sesuai dengan peraturan yang berlaku, untuk nilai Penawaran lebih besar dari Rp.500,000,000,- (lima ratus juta rupiah), sebagaimana ketentuan pada Pasal 2.2 .
- 15.2 Jaminan Pelaksanaan adalah bernilai minimal 5% (lima persen) dari Total Nilai pada *Purchase Order/PO* termasuk PPN sesuai dengan peraturan yang berlaku untuk nilai Pembelian lebih besar dari Rp.500,000,000,- (lima ratus juta rupiah), sebagaimana ketentuan pada Pasal 3.1.1 di atas. Dengan ketentuan masa berlaku Jaminan Pelaksanaan adalah sebagaimana ketentuan pada Pasal 3.1.4 ditambah sekurang-kurangnya 50 (Lima Puluh Hari) Hari Kalender.
- 15.3 Jaminan yang disertakan harus mengikuti persyaratan yang diminta oleh **ASET OPERATOR** dan/atau **PLN TJB** dengan ketentuan sebagai berikut :
  - 15.3.1 Mengikuti format yang sudah dibakukan oleh **ASET OPERATOR** dan/ atau **PLN TJB**.
  - 15.3.2 Menggunakan mata uang dalam "Rupiah", kecuali ada ketentuan dan persetujuan lain yang disepakati Para Pihak (Penyedia Barang/ Jasa dan **ASET OPERATOR** Procurement).
  - 15.3.3 Harus diterbitkan oleh Bank sesuai dengan Daftar Penyedia Jaminan Terseleksi (DPJT) PLN yang telah disetujui oleh **ASET OPERATOR** dan/atau **PLN TJB**.
- 15.4 Jaminan Pelaksanaan diserahkan kepada **ASET OPERATOR** maksimal 14 (empat belas) Hari Kalender setelah "Surat Penunjukan Pemenang / *Appointment of Awarded Supplier*" dikirimkan melalui surat tertulis dan/atau Surat Elektronik (Surel/ *Email*) oleh **ASET OPERATOR** kepada Penyedia Barang/Jasa, sebagaimana ketentuan pada Pasal 3.1.5.
- 15.5 Asli dari Jaminan akan dikembalikan ke Penyedia Barang/Jasa apabila semua kewajiban dari Penyedia Barang/Jasa telah dinyatakan selesai oleh **ASET OPERATOR** atas persetujuan **PLN TJB**.
- 15.6 Jaminan dapat dimungkinkan untuk diperpanjang masa berlakunya atas permintaan dari **ASET OPERATOR** dan/atau **PLN TJB** kepada Penyedia Barang/Jasa.

#### 16. FORCE MAJEURE

- 16.1 Peristiwa, kejadian atau keadaan berikut ini adalah *Force Majeure*: Kehendak Tuhan (*Act of God*) meliputi namun tidak terbatas pada gempa bumi, dari banjir, epidemi, kebakaran, perang, huru-hara, pemogokan dan/atau pemberlakuan peraturan pemerintah yang mengatur atau berhubungan dengan pelaksanaan/ pengiriman di dalam *Purchase Order/PO*.
- 16.2 Dalam hal terjadi suatu peristiwa, kejadian atau keadaan *Force Majeure*, Penyedia Barang/Jasa wajib memberitahukan secara tertulis dan/atau *email* dengan melampirkan bukti-bukti dari instansi yang berwenang kepada **ASET OPERATOR** selambat-lambatnya 3 (tiga) hari sejak terjadinya suatu peristiwa, kejadian atau keadaan *Force Majeure*.
- 16.3 Dalam hal pemberitahuan sebagaimana ketentuan Pasal 16.2 di atas terlampaui atau tidak dilaksanakan maka Para Pihak sepakat bahwa kejadian tersebut bukan merupakan keadaan *Force Majeure*.
- 16.4 Baik Penyedia Barang/Jasa maupun **ASET OPERATOR** dan **PLN TJB** dibebaskan dari setiap dan semua tanggung jawab yang timbul sebagai akibat terjadinya suatu peristiwa, kejadian atau keadaan *Force Majeure*.

#### 17. TUNTUTAN DARI PIHAK KETIGA

Penyedia Barang/Jasa harus membebaskan dan melindungi **ASET OPERATOR** dan **PLN TJB** dari segala tuntutan dari pihak ketiga yang timbul atau akan timbul sehubungan dengan *Purchase Order/PO*.

#### 18. GARANSI (Apabila Dipersyaratkan di dalam *Purchase Order/PO*)

Penyedia Barang/Jasa menjamin ke **ASET OPERATOR** dan/ atau **PLN TJB**, bahwa barang-barang yang dikirim sesuai dengan spesifikasi yang disepakati sebagaimana ketentuan pada Pasal 2.3.8. Barang tidak cacat atau rusak material atau teknis, baru (bukan barang bekas pakai) dan digaransi oleh Pabrik dan/atau Penyedia Barang/Jasa. Garansi harus berlaku selama jangka waktu 18 (delapan belas) bulan sejak tanggal pengiriman barang atau 12 (dua belas) bulan sejak tanggal pemasangan atau operasi awal atas barang ("Masa Garansi"). Apapun yang terjadi terlebih dahulu dalam Masa Garansi, ditemukan kerusakan atau kecacatan barang, **ASET OPERATOR** berkewajiban untuk memberitahukan secara tertulis dan/atau melalui *email* atas hal tersebut kepada Penyedia Barang/Jasa. Dan dalam waktu 3 x 24 jam setelah diterimanya pemberitahuan tersebut, Penyedia Barang/Jasa wajib memperbaiki barang yang cacat atau rusak tersebut, dan apabila barang tidak bisa diperbaiki dalam jangka waktu paling lambat 30 (tiga puluh) Hari Kalender, maka Penyedia Barang/Jasa harus mengganti barang yang rusak tersebut dengan barang baru dengan kualitas dan spesifikasi yang sama tanpa ada penambahan biaya apapun dari **ASET OPERATOR**.

#### 19. TAGIHAN

Untuk melakukan penagihan, Penyedia Barang/Jasa harus memenuhi syarat-syarat penagihan dengan melengkapi dokumen-dokumen antara lain sebagai berikut:

- 19.1 Surat Permohonan Pembayaran: 1 (satu) rangkap Asli
- 19.2 Kwitansi : 3 (tiga) rangkap, 1 (satu) rangkap bermeterai cukup dan 2 (dua) rangkap lainnya tanpa meterai .
- 19.3 Invoice : 3 (tiga) rangkap, 1 (satu) rangkap bermeterai cukup dan 2 (dua) rangkap lainnya tanpa meterai.
- 19.4 Faktur Pajak : 2 (dua) rangkap.
- 19.5 Berita Acara Penyelesaian Pekerjaan (BAPK) dan/atau *Goods Receipt* dan/atau *Joint Inspection* : 1 (satu) rangkap Asli.
- 19.6 Berita Acara Serah Terima (BAST) barang/jasa/pekerjaan dan/atau *Minutes Of Verification* (MOV): 1 (satu) rangkap Asli.
- 19.7 NPWP dan SPPKP : 1 (satu) rangkap *Copy*.
- 19.8 Sertifikat Asal Barang dan/atau Sertifikat Manufaktur: 1 (satu) asli dan/atau 1 (satu) *Copy* (Apabila dipersyaratkan pada *Purchase Order/PO*).
- 19.9 Surat Jaminan/Garansi yang menyatakan masa garansi barang adalah 18 (delapan belas) bulan sejak pengiriman atau 12 (dua belas) bulan sejak instalasi : 1 (satu) asli dan 2 (dua) *Copy* (Apabila dipersyaratkan pada *Purchase Order/PO*).
- 19.10 Jaminan Pelaksanaan dan Surat Konfirmasi keabsahan Jaminan Pelaksanaan : 1 (satu) rangkap *Copy* (Apabila dipersyaratkan pada *Purchase Order/PO*).
- 19.11 SIUP/NIB dan SIUJK : 1 (satu) rangkap *Copy* (Apabila ada atau apabila dipersyaratkan pada *Purchase Order/PO*)



**PT. KOMIPO PEMBANGKITAN JAWA BALI**  
**PLTU TANJUNG JATI B #UNIT 3&4**

**REQUEST FOR QUOTATION**

Doc. Ref	: KPJB-0951-02
Form No.	: KPJB-0951-02-ZZ-FM-03
Design Div.	: Finance and Administration
Revision No.	: 00

19.12 Syarat-syarat lain yang belum tercantum sebagaimana poin-poin diatas namun dipersyaratkan khusus pada *Purchase Order /PO* wajib dipenuhi oleh Penyedia Barang/Jasa.

(Persyaratan penagihan terlampir di lampiran " Tata Cara Penagihan")

**20. PEMBAYARAN**

Kecuali ditentukan lain dalam *Purchase Order/PO* :

- 20.1 Pembayaran akan dilakukan pada 45 (empat puluh lima) Hari Kalender setelah barang/ Jasa dinyatakan diterima dengan Bukti Asli *Goods Receipt/ Completion Work*, dan dokumen-dokumen penagihan telah diterima dengan baik, lengkap dan benar.
- 20.2 Pembayaran akan dilakukan melalui bank transfer.

**21. LAIN - LAIN**

- 21.1 Syarat-syarat umum ini berlaku sah dan mengikat, kecuali ada ketentuan lain yang tertera pada *Purchase Order/PO*.
- 21.2 Bilamana **ASET OPERATOR** serta Penyedia Barang/Jasa menandatangani kesepakatan tambahan sebagai satu kesatuan dari *Purchase Order/PO* dan ternyata menimbulkan pertentangan dengan klausul-klausul di dalam *Purchase Order/PO* maka **ASET OPERATOR** dan Penyedia Barang/Jasa sepakat akan selalu menafsirkan dengan cara memilih, mematuhi dan menerapkan klausul yang lebih menguntungkan **ASET OPERATOR** semata.
- 21.3 **ASET OPERATOR** dan/atau **PLN TJB**, setiap saat memiliki hak eksklusif untuk melakukan evaluasi berkaitan dengan kinerja, kepatuhan atau hasil pelaksanaan kewajiban oleh Penyedia Barang/Jasa, dimana hasil evaluasi tersebut akan disampaikan kepada Penyedia Barang/Jasa dalam bentuk pernyataan tertulis.
- 21.4 Evaluasi tersebut dilakukan dalam rangka menjamin keberlangsungan PLTU Tanjung Jati B Jepara sehingga hasil evaluasi sebagaimana dimaksud menjadi dasar bagi **ASET OPERATOR** dan/atau **PLN TJB** untuk mengkaji ulang status serta jangka waktu *Purchase Order/PO* dan/atau penentuan status Penyedia Barang/Jasa dalam Daftar Hitam Penyedia Barang/Jasa **ASET OPERATOR** dan/atau **PLN TJB**.
- 21.5 *Purchase Order/PO* dibuat, diatur dan ditafsirkan sesuai dengan hukum Negara Republik Indonesia.
- 21.6 Jika terjadi perselisihan yang tidak mendapatkan solusi maka **ASET OPERATOR** dan Penyedia Barang/Jasa sepakat untuk dapat melakukan pengakhiran *Purchase Order/PO* dan tidak memberlakukan ketentuan Pasal 1266 Kitab Undang-undang Hukum Perdata.
- 21.7 Syarat-syarat dan kondisi ini dibuat dalam Bahasa Indonesia dan Bahasa Inggris. Dalam hal adanya inkonsistensi atau penafsiran yang berbeda antara versi Bahasa Indonesia dan versi Bahasa Inggris, versi Bahasa Indonesia dari Syarat-syarat dan kondisi ini akan berlaku dan versi Bahasa Inggris harus dianggap secara otomatis diubah (perubahan mana berlaku sejak tanggal ditandatanganinya versi bilingual ini) untuk menjadikan bagian yang relevan dari versi Bahasa Inggris sesuai dengan bagian yang relevan dari versi Bahasa Indonesia.
- 21.8 **ASET OPERATOR** berhak melakukan Audit di Waktu tertentu kepada rekanan Penyedia Barang/Jasa, Proses pengaudit dilakukan oleh **ASET OPERATOR** didampingi tim Auditor yang ditunjuk **ASET OPERATOR**.

**KETENTUAN MENYANGKUT LINGKUNGAN, KESEHATAN, DAN KESELAMATAN KERJA**

**1. STANDART KESELAMATAN UNTUK BAHAN BAHAN YANG BERACUN**

- 1.1 Penyedia Barang/Jasa harus memberikan daftar data keselamatan material - material (MSDS) untuk seluruh *chemical*, pelumas, lem, cairan, pembersih dan bahan bahan lainnya yang berpotensi beracun yang rekanan akan gunakan dalam pelaksanaan pekerjaan.
- 1.2 Penyedia Barang/Jasa harus mengikuti syarat - syarat untuk penyimpanan, penanganan dan pembuangan material termasuk syarat - syarat untuk Peralatan Perlindungan Personal dan peralatan Pernafasan (RPE) yang ditentukan oleh **ASET OPERATOR**.
- 1.3 Setiap Material yang mengandung zat - zat yang berpotensi beracun yang ada di *Site* yang tidak sesuai dengan persyaratan MSDS dan belum disetujui oleh **ASET OPERATOR**, harus segera dihilangkan atau dipindahkan dari *site* oleh Penyedia Barang/Jasa sampai persetujuan tersebut diperoleh.

**2. PURCHASE REQUISITION JASA/SERVICE**

- 2.1 Dokumen Analisa Kerja Aman (*Job Safety Analysis / JSA*) atau dokumen identifikasi bahaya lainnya yang terkait dengan Jasa.
- 2.2 Prosedur kerja aman / instruksi kerja dan/atau dokumen EHS lainnya yang terkait dengan Jasa.
- 2.3 Surat keterangan sehat dari dokter untuk personel yang terkait dengan jasa.
- 2.4 Foto *copy* Sertifikat kompetensi untuk personel yang terkait dengan jasa.
- 2.5 Foto *copy* Sertifikat Kelayakan atas Peralatan Angkat dan Angkut yang masih "**VALID**" yang terkait dengan Jasa.
- 2.6 Foto *copy* Surat Keterangan Catatan Kepolisian (SKCK) dan kartu identitas (Kartu Tanda Penduduk/KTP atau Paspor) masih berlaku untuk lampiran Formulir *Request ID Card*.
- 2.7 Foto *copy* Surat Ijin Mengemudi (SIM) yang masih berlaku untuk pengendara mobil perusahaan untuk lampiran formulir "*Vehicle Gate Pass Request*".
- 2.8 Foto *copy* surat KIR yang masih berlaku untuk kendaraan operasional kategori tertentu untuk lampiran formulir "*Vehicle Gate Pass Request*".
- 2.9 Surat pernyataan dari Manajemen perusahaan bahwa akan mematuhi peraturan perundangan terkait dengan Lingkungan dan
- 2.10 Keselamatan, Kesehatan Kerja (LK3), salah satunya seperti berikut :
  - 2.10.1 Menyediakan Alat Pelindung Diri (APD) untuk seluruh karyawan yang standard dan sesuai
  - 2.10.2 Bertanggung jawab atas limbah/sampah yang dihasilkan oleh pekerjaan jasa tersebut serta selalu menjaga kerapian dan kebersihan area kerja.
  - 2.10.3 Membuat "Surat Pernyataan" bahwa perusahaan tidak mencemari lingkungan
  - 2.10.4 Melampirkan Sertifikat ISO 14001 dan Sertifikat PROPER yang dimiliki (apabila dipersyaratkan dalam RFQ & *Purchase Order/PO*)

**3. PURCHASE REQUISITION BARANG**

Menyediakan dokumen yang terkait dengan persyaratan Lingkungan, Keselamatan dan Kesehatan Kerja (LK3), seperti:

- 3.1 Lembar Data Keselamatan Bahan / LDKB (*Material Safety Data Sheet/MSDS*) untuk Bahan Beracun dan Berbahaya (B3), seperti: bahan kimia/resin/oli/grease/dll.
- 3.2 Petunjuk Pengoperasian secara aman (*Safety Operating Manual*) untuk peralatan/mesin/alat kerja/ dll.
- 3.3 Persyaratan penyimpanan serta penanganan secara manual.
- 3.4 Atau dokumen lainnya yang terkait dengan persyaratan dan perundangan Lingkungan, Keselamatan & Kesehatan Kerja (LK3).

**4. KETENTUAN MENYANGKUT KETENAGA KERJAAN**

Berikut persyaratan dari HRD yaitu sebagai berikut :

- 4.1 *Copy* sertifikat kepesertaan perusahaan di BPJS Ketenagakerjaan.
- 4.2 *Copy* kartu kepesertaan BPJS Ketenagakerjaan dari setiap karyawan yang dipekerjakan.
- 4.3 Ijin Operasional dari Disnaker Propinsi Jawa Tengah Cq. Disnaker Jepara Untuk pekerjaan yang di alih-daya kan (*Outsource*).
- 4.4 Surat Pemberitahuan ke Disnaker Jepara untuk pekerjaan jasa pemborongan.
- 4.5 *Copy* Perjanjian kerja antara perusahaan dengan masing-masing karyawan.