




## Public Notice


### U4POB The Purchasing of Inner Parts for IDF Rotor A&B

1. **Scope of Supply**  
Procurement of U4POB The Purchasing of Inner Parts for IDF Rotor A&B.
2. **Bidding Type**
  - Domestic open bidding to select the lowest priced suppliers and evaluated by total price and or if failed will be evaluated base by each item.
  - The quotation shall be submitted in one sealed envelope containing both the priced and unpriced proposals.
3. **Requirement for Qualification of Bidder**
  - It is mentioned in document of Request for Quotation No. K19230 with subject U4POB The Purchasing of Inner Parts for IDF Rotor A&B in attachment 3.
4. **Aanwijzing will be held :**  
Topic: Aanwijzing ITB No. K19230 for U4POB The Purchasing of Inner Parts for IDF Rotor A&B  
**Time: Mar 3, 2026 10:00 AM Jakarta**  
Join Zoom Meeting  
<https://us06web.zoom.us/j/82387097639?pwd=XReJL3zHzYNlnsCzICh8aCx3weWWMY.1>  
  
**Meeting ID: 823 8709 7639**  
**Passcode: 797305**
5. **Bid Closing Date and Time: 11.00 WIB **March 10, 2026****
6. **Invitation to Bid (ITB) and Additional Information**
  - Invitation to Bid (ITB) document copy or soft file is available in website PT. KPJB ([www.kpjb.co.id](http://www.kpjb.co.id)); or
  - Email : [procurement@kpjb.co.id](mailto:procurement@kpjb.co.id) or [mohammad.azka@kpjb.co.id](mailto:mohammad.azka@kpjb.co.id)
7. **Bid submission**  
**To : Mohammad Azka (PIC RFQ No. K19230)**  
**Finance & Administration Division**  
**PT. Komipo Pembangkitan Jawa Bali (KPJB)**  
PLTU Tanjung Jati B Unit 3 & 4,  
Desa Tubanan, Kecamatan Kembang,  
Kabupaten Jepara, Jawa Tengah, Indonesia 59453  
Tel : 0291-427-0491, Fax : 0291-427-0601
8. **Procedure for Submission Bid Document**
  - Document shall be submitted in a sealed envelope by registered mail or direct submission after KPJB security's check not later than the bid closing date and time.
  - Document title shall be marked in the envelope as **“U4POB The Purchasing of Inner Parts for IDF Rotor A&B”**

	<b>PT. KOMIPO PEMBANGKITAN JAWA BALI</b>	Doc. Ref	: KPJB-0951-02
	<b>PLTU TANJUNG JATI B #UNIT 3&amp;4</b>	Form No.	: KPJB-0951-02-ZZ-FM-03
	<b>REQUEST FOR QUOTATION</b>	Design Div.	: Finance and Administration
		Revision No.	: 00


Date	RFQ No:	PRF No:
February 23, 2025	K19230	K19230 R01
SUBJECT : U4POB The Purchasing of Inner Parts for IDF Rotor A&B ✓		

KPJB on behalf of PT. PLN hereby request your quotation for material/services below :

No	Item Code	Description	Quantity		Remark
			Qty	Unit	
As per the attachment					
<ul style="list-style-type: none"> <li>The quotation shall be submitted in one sealed envelope containing both the priced and unpriced proposals, addressed to the Procurement Team, F&amp;A Division, PT. KPJB. The original documents must be received by KPJB no later than 11:00 WIB on <u>10 MAR 2026</u>, either by registered mail or by direct submission after completing security clearance and registration at PLTU Tanjung Jati B.</li> <li>Aanwijzing will be held in KPJB on <u>0.00 03 MAR 2026</u>.</li> <li>Validity of Quotation price should be minimum 3 months.</li> <li>Prices and detailed information should be specified about the materials and services in the quotation by strictly following the quotation form attached hereto.</li> <li>Payment will be made by Telegraphic Transfer (T/T) within forty five (45) days after invoice received, attached with delivery or work completion report (Invoice, Good receive form, MOV, BAPP, etc.) issued by PT. KPJB.</li> <li><b>Delivery time: not later than June 02, 2026.</b></li> <li><b>Certificate should be submitted at the delivery time : Original COM issued by Manufacture, Original COO issued by Chamber of Commerce, Inspection Report from Independent Surveyor with International Accreditation (SGS/TVV Rhinland/QA/Others).</b></li> <li><b>Warranty : 1 year from supplier.</b></li> <li>Delivery should be completed to PT. KPJB's warehouse, PLTU Tanjung Jati B Unit #3&amp;4.</li> <li>Warranty letter that state "The material is genuine, no defect, new and can be used properly" should be submitted at the time of delivery.</li> <li>All documents and communications shall be in English.</li> <li>All terms and conditions of this contract must be subject to and governed by PT. KPJB's Terms and Conditions for Contract attached hereto.</li> <li>In case of hazardous material, Material Safety Data Sheets (MSDS) and other related document for hazardous material shall be submitted at the time of delivery.</li> <li>For hand powered tools / powered tools: must be attached with tools certificate from manufacturer.</li> <li>For chemicals: All material delivery must be completed with symbol &amp; label as required on regulation in every containers/other packaging.</li> <li>For service: All personnel must have appropriate certification as required on local HSE Regulation.</li> </ul>					
Sincerely Yours,					
 <b>Hendang Suroso</b> <b>F&amp;A. Manager</b>					
<b>Date</b>					

Attachment :

1. Material list
2. Quotation format
3. Unprice document required
4. Pakta Integritas Form
5. Surat Pernyataan Keaslian Dokumen Form
6. KPJB Contractor Safety Rules
7. PT. KPJB's General Terms and Conditions for Contract
8. Term of Reference
9. Drawing

	<b>PT. KOMIPO PEMBANGKITAN JAWA BALI</b>	Doc. Ref	: KPJB-0951-02
	<b>PLTU TANJUNG JATI B #UNIT 3&amp;4</b>	Form No.	: KPJB-0951-02-ZZ-FM-03
	<b>REQUEST FOR QUOTATION</b>	Design Div.	: Finance and Administration
		Revision No.	: 00


Attachment 1: RFQ No. K19230

### MATERIAL LIST

Item No	Item Code	Description	Quantity	
			Order	Unit
1	208923/	RUBBER STRIP, DRAWING PART NO : 12.35, PART NO : Q/HG16-019-63	32,00	PC
2	208927/	O-RING 130x3.1, DRAWING PART NO : 14.75, PART NO : GB1235-76	32,00	PC
3	208928/	ROUND RING, DRAWING PART NO : 14.76.01, PART NO : S4GA3055	32,00	PC
4	208929/	O-RING 120x5.7, DRAWING PART NO : 14.76.02, PART NO : GB1235-76	32,00	PC
5	208930/	ROUNG RING, DRAWING PART NO : 14.77.01, PART NO : S4GA3056	32,00	PC
6	208931/	O-RING 225x5.7, DRAWING PART NO : 14.77.02, PART NO : GB1235-76	32,00	PC
7	204742/	BEARING,THRUST, ANGULAR CONTACT BALL BEARING, TYPE: 7214-B-XL-MP-UA, BRAND: FAG	32,00	PC
8	214469/	BEARING,THRUST, AXIAL DEEP GROOVE BALL BEARING, TYPE: 51324-MP, BRAND: FAG	32,00	PC
9	208932/	O-RING 75x3.1, DRAWING PART NO : 14.83, PART NO : GB1235-76	32,00	PC
10	208933/	ROUND RING, DRAWING PART NO : 14.86.01, PART NO : S4GA3982	32,00	PC
11	208934/	O-RING 140x3.1, DRAWING PART NO : 14.86.02, PART NO : GB1235-76	32,00	PC
12	208935/	O-RING 75x3.1, DRAWING PART NO : 14.87.01, PART NO : GB1235-76	32,00	PC
13	208936/	LABYRINTH AIRPROOF, DRAWING PART NO : 14.87.02, PART NO : 4TY0231	32,00	PC
14	208926/	SAFETY RING, DRAWING PART NO : 14.34, PART NO : S4GA3051	32,00	PC
15	221797/	RING, BLOCK RING, PN: 14.53, CODE NAME: GB/T894.1-1986	32,00	PC
16	221796/	LOCK, SAFETY PIECE, PN: 14.35, CODE NAME: S4GA3052	32,00	PC
17	221795/	KEY,LOCK, PN: 14.32, CODE NAME: Q/SG742-1, SIZE: 10X10X65MM	32,00	PC
18	210127/	BUSHING,SLEEVE, PETIOLE BUSHING, PART NO: 14.21, CODE NAME: S4GA3049	32,00	PC
19	205435/	CLAMP,BLOCK, SLIDE BLOCK FOR IDF, PN: 14.52, CODE NAME: S4GA3053, MATERIAL: BRASS	32,00	PC
20	204081/	COUPLING,SHAFT, DISC PACK COUPLING, T:0.51 MM, Q235A	2,00	SET
21	210161/	CLAMP,PIPE,ANCHOR AND REINFORCEMENT, SEALING CINTURE, 100X30X14000, PIECE NO : 78.01, CODE NAME : 1TY0044W13	4,00	SET

	<b>PT. KOMIPO PEMBANGKITAN JAWA BALI</b>	Doc. Ref	: KPJB-0951-02
	<b>PLTU TANJUNG JATI B #UNIT 3&amp;4</b>	Form No.	: KPJB-0951-02-ZZ-FM-03
	<b>REQUEST FOR QUOTATION</b>	Design Div.	:Finance and Administration
		Revision No.	:00

22	221677/	O-RING, SIZE: ID 249.5 MM, THICKNESS: 8.4 MM, MATERIAL: VITON, FOR IDF MAIN BEARING	4,00	PC
23	202473/	SEAL RING, OIL SEAL, 265X290X16, VITON, 200 DEG C	4,00	PC
24	206060/	PUMPING UNIT, LUBE OIL PUMP, VICKER GPA 3-63-E-20-R6.3	4,00	SET
25	223586/	INDICATOR,SIGHT,LIQUID, IDF OIL LEVEL SIGHT GLASS, HYDRAULIC LUBRICATING DEVICE, MODEL NO: YXHZB 80	2,00	PC

	<b>PT. KOMIPO PEMBANGKITAN JAWA BALI</b>	Doc. Ref	: KPJB-0951-02
	<b>PLTU TANJUNG JATI B #UNIT 3&amp;4</b>	Form No.	: KPJB-0951-02-ZZ-FM-03
	<b>REQUEST FOR QUOTATION</b>	Design Div.	: Finance and Administration
		Revision No.	: 00

Attachment 2: RFQ No. K19230

Quotation format


A. Price Quotation

<COMPANY LOGO>

**Quotation**

**No:**

Item No	Item Code	Description	Quantity		Price (IDR)	
			Order	Unit	Unit Price	Total
1	208923/	RUBBER STRIP, DRAWING PART NO : 12.35, PART NO : Q/HG16-019-63	32,00	PC		
2	208927/	O-RING 130x3.1, DRAWING PART NO : 14.75, PART NO : GB1235-76	32,00	PC		
3	208928/	ROUND RING, DRAWING PART NO : 14.76.01, PART NO : S4GA3055	32,00	PC		
4	208929/	O-RING 120x5.7, DRAWING PART NO : 14.76.02, PART NO : GB1235-76	32,00	PC		
5	208930/	ROUND RING, DRAWING PART NO : 14.77.01, PART NO : S4GA3056	32,00	PC		
6	208931/	O-RING 225x5.7, DRAWING PART NO : 14.77.02, PART NO : GB1235-76	32,00	PC		
7	204742/	BEARING,THRUST, ANGULAR CONTACT BALL BEARING, TYPE: 7214-B-XL-MP-UA, BRAND: FAG	32,00	PC		
8	214469/	BEARING,THRUST, AXIAL DEEP GROOVE BALL BEARING, TYPE: 51324-MP, BRAND: FAG	32,00	PC		
9	208932/	O-RING 75x3.1, DRAWING PART NO : 14.83, PART NO : GB1235-76	32,00	PC		
10	208933/	ROUND RING, DRAWING PART NO : 14.86.01, PART NO : S4GA3982	32,00	PC		
11	208934/	O-RING 140x3.1, DRAWING PART NO : 14.86.02, PART NO : GB1235-76	32,00	PC		
12	208935/	O-RING 75x3.1, DRAWING PART NO : 14.87.01, PART NO : GB1235-76	32,00	PC		
13	208936/	LABYRINTH AIRPROOF, DRAWING PART NO : 14.87.02, PART NO : 4TY0231	32,00	PC		
14	208926/	SAFETY RING, DRAWING PART NO : 14.34, PART NO : S4GA3051	32,00	PC		
15	221797/	RING, BLOCK RING, PN: 14.53, CODE NAME: GB/T894.1-1986	32,00	PC		
16	221796/	LOCK, SAFETY PIECE, PN: 14.35, CODE NAME: S4GA3052	32,00	PC		
17	221795/	KEY,LOCK, PN: 14.32, CODE NAME: Q/SG742-1, SIZE: 10X10X65MM	32,00	PC		
18	210127/	BUSHING,SLEEVE, PETIOLE BUSHING, PART NO: 14.21, CODE NAME: S4GA3049	32,00	PC		
19	205435/	CLAMP,BLOCK, SLIDE BLOCK FOR IDF, PN: 14.52, CODE NAME: S4GA3053, MATERIAL: BRASS	32,00	PC		
20	204081/	COUPLING,SHAFT, DISC PACK COUPLING, T:0.51 MM, Q235A	2,00	SET		
21	210161/	CLAMP,PIPE,ANCHOR AND REINFORCEMENT, SEALING CINTURE, 100X30X14000, PIECE NO : 78.01, CODE NAME : 1TY0044W13	4,00	SET		
22	221677/	O-RING, SIZE: ID 249.5 MM, THICKNESS: 8.4 MM,	4,00	PC		


	<b>PT. KOMIPO PEMBANGKITAN JAWA BALI</b> <b>PLTU TANJUNG JATI B #UNIT 3&amp;4</b>	Doc. Ref	: KPJB-0951-02
	<b>REQUEST FOR QUOTATION</b>	Form No.	: KPJB-0951-02-ZZ-FM-03
		Design Div.	: Finance and Administration
		Revision No.	: 00

		MATERIAL: VITON, FOR IDF MAIN BEARING				
23	202473/	SEAL RING, OIL SEAL, 265X290X16, VITON, 200 DEG C	4,00	PC		
24	206060/	PUMPING UNIT, LUBE OIL PUMP, VICKER GPA 3-63-E-20-R6.3	4,00	SET		
25	223586/	INDICATOR,SIGHT,LIQUID, IDF OIL LEVEL SIGHT GLASS, HYDRAULIC LUBRICATING DEVICE, MODEL NO: YXHZB 80	2,00	PC		
		<b>TOTAL</b>				
		<b>VAT</b>				
		<b>GRAND TOTAL</b>				

Term and Conditions:

1. The above price are included delivery cost to warehouse of PT. KPJB
2. Please mention Certificate is required at the delivery time
3. Payment will be made by Telegraphic Transfer (T/T) within forty five (45) days after invoice received, attached with delivery or work completion report issued by PT.KPJB.
4. Please mention Bank Account that will be use for payment (including Bank Name, Bank Address)
5. Please mention Name of Director

Place, [Month] [Date] [Year]  
SIGN & COMPANY STAMP  
DUTY STAMP / MATERAI (10000)  
Name  
(Title)

	<b>PT. KOMIPO PEMBANGKITAN JAWA BALI</b>	Doc. Ref	: KPJB-0951-02
	<b>PLTU TANJUNG JATI B #UNIT 3&amp;4</b>	Form No.	: KPJB-0951-02-ZZ-FM-03
	<b>REQUEST FOR QUOTATION</b>	Design Div.	: Finance and Administration
		Revision No.	: 00


B. Unpriced Quotation

<COMPANY LOGO>

**Quotation**

**No:**

Item No	Item Code	Description	Quantity		Delivery Time
			Order	Unit	
1	208923/	RUBBER STRIP, DRAWING PART NO : 12.35, PART NO : Q/HG16-019-63	32,00	PC	<b>Not later than June 02, 2026.</b>
2	208927/	O-RING 130x3.1, DRAWING PART NO : 14.75, PART NO : GB1235-76	32,00	PC	
3	208928/	ROUND RING, DRAWING PART NO : 14.76.01, PART NO : S4GA3055	32,00	PC	
4	208929/	O-RING 120x5.7, DRAWING PART NO : 14.76.02, PART NO : GB1235-76	32,00	PC	
5	208930/	ROUNG RING, DRAWING PART NO : 14.77.01, PART NO : S4GA3056	32,00	PC	
6	208931/	O-RING 225x5.7, DRAWING PART NO : 14.77.02, PART NO : GB1235-76	32,00	PC	
7	204742/	BEARING, THRUST, ANGULAR CONTACT BALL BEARING, TYPE: 7214-B-XL-MP-UA, BRAND: FAG	32,00	PC	
8	214469/	BEARING, THRUST, AXIAL DEEP GROOVE BALL BEARING, TYPE: 51324-MP, BRAND: FAG	32,00	PC	
9	208932/	O-RING 75x3.1, DRAWING PART NO : 14.83, PART NO : GB1235-76	32,00	PC	
10	208933/	ROUND RING, DRAWING PART NO : 14.86.01, PART NO : S4GA3982	32,00	PC	
11	208934/	O-RING 140x3.1, DRAWING PART NO : 14.86.02, PART NO : GB1235-76	32,00	PC	
12	208935/	O-RING 75x3.1, DRAWING PART NO : 14.87.01, PART NO : GB1235-76	32,00	PC	
13	208936/	LABYRINTH AIRPROOF, DRAWING PART NO : 14.87.02, PART NO : 4TY0231	32,00	PC	

	<b>PT. KOMIPO PEMBANGKITAN JAWA BALI</b>		Doc. Ref	: KPJB-0951-02
	<b>PLTU TANJUNG JATI B #UNIT 3&amp;4</b>		Form No.	: KPJB-0951-02-ZZ-FM-03
	<b>REQUEST FOR QUOTATION</b>		Design Div.	: Finance and Administration
			Revision No.	: 00


14	208926/	SAFETY RING, DRAWING PART NO : 14.34, PART NO : S4GA3051	32,00	PC	
15	221797/	RING, BLOCK RING, PN: 14.53, CODE NAME: GB/T894.1-1986	32,00	PC	
16	221796/	LOCK, SAFETY PIECE, PN: 14.35, CODE NAME: S4GA3052	32,00	PC	
17	221795/	KEY, LOCK, PN: 14.32, CODE NAME: Q/SG742-1, SIZE: 10X10X65MM	32,00	PC	
18	210127/	BUSHING, SLEEVE, PETIOLE BUSHING, PART NO: 14.21, CODE NAME: S4GA3049	32,00	PC	
19	205435/	CLAMP, BLOCK, SLIDE BLOCK FOR IDF, PN: 14.52, CODE NAME: S4GA3053, MATERIAL: BRASS	32,00	PC	
20	204081/	COUPLING, SHAFT, DISC PACK COUPLING, T:0.51 MM, Q235A	2,00	SET	
21	210161/	CLAMP, PIPE, ANCHOR AND REINFORCEMENT, SEALING CINTURE, 100X30X14000, PIECE NO : 78.01, CODE NAME : 1TY0044W13	4,00	SET	
22	221677/	O-RING, SIZE: ID 249.5 MM, THICKNESS: 8.4 MM, MATERIAL: VITON, FOR IDF MAIN BEARING	4,00	PC	
23	202473/	SEAL RING, OIL SEAL, 265X290X16, VITON, 200 DEG C	4,00	PC	
24	206060/	PUMPING UNIT, LUBE OIL PUMP, VICKER GPA 3-63-E-20-R6.3	4,00	SET	
25	223586/	INDICATOR, SIGHT, LIQUID, IDF OIL LEVEL SIGHT GLASS, HYDRAULIC LUBRICATING DEVICE, MODEL NO: YXH ZB 80	2,00	PC	

**Term and Conditions:**

1. The above price are included delivery cost to warehouse of PT. KPJB
2. Please mention Certificate is required at the delivery time
3. Payment will be made by Telegraphic Transfer (T/T) within forty five (45) days after invoice received, attached with delivery or work completion report issued by PT.KPJB.
4. Please mention Bank Account that will be use for payment (including Bank Name, Bank Address)
5. Please mention Name of Director

Place, [Month] [Date] [Year]  
SIGN & COMPANY STAMP

Name  
(Title)

	<b>PT. KOMIPO PEMBANGKITAN JAWA BALI</b>	Doc. Ref	: KPJB-0951-02
	<b>PLTU TANJUNG JATI B #UNIT 3&amp;4</b>	Form No.	: KPJB-0951-02-ZZ-FM-03
	<b>REQUEST FOR QUOTATION</b>	Design Div.	: Finance and Administration
		Revision No.	: 00

Attachment 3: RFQ No. K19230

### Unprice Document Required

No.	Syarat Administrasi (Administration Requirement)
<b>A.</b>	
1	Asli Surat Penawaran (Original Unprice quotation) yang: 1. Description sesuai permintaan 2. Bertanggal (dated) 3. Bertanda tangan dan Cap Perusahaan (Company stamped) 4. Menyebutkan waktu pengiriman sampai gudang sesuai permintaan (Time Delivery)
2	Pengalaman Pekerjaan dengan total harga kontrak senilai minimal IDR 345.000.000 – <b>menyerahkan copy kontrak atau PO</b> (Work Experience for contract amount minimum IDR 345.000.000 – <b>submitting the copy of the contract or PO</b> )
3	Copy pembayaran pajak SSP (PPN) 3 bulan terakhir periode: Okt, Nov, Des 2025 (Copy of last 3 month payment tax or period of: Oct, Nov, Dec 2025)
4	Original Pakta Integritas
5	Surat Pernyataan Keaslian Dokumen
6	Vendor participant must have registered CSMS Certificate (minimum : Low Risk Level) issued by PT. PLN (Persero) - <b>submitting the copy of the document</b>
7	Original Bid bond 1% up to 3% from price quotation (including VAT) with the validity until <b>10 JUN 2026</b> - Bid bond should be issued by Bank based on DPJT list and format issued by PLN - Beneficiary of Bid bond to: PT. Perusahaan Listrik Negara (Persero) UIK Tanjung Jati B Desa Tubanan, Kecamatan Kembang, Jepara Jaminan Penawaran asli 1% sampai dengan 3% dari Penawaran Harga (termasuk PPN) dengan validitas sampai dengan <b>10 JUN 2026</b>
8	Copy of Financial report audited by public accountant minimum year of 2024
9	Copy of SPT Tahunan Year 2024
<b>B.</b>	
1	Copy Surat Ijin Usaha Perusahaan – SIUP / BKPM (PMA) (copy of Business License )
2	Copy Surat Ijin Tempat Usaha – SITU / DOMISILI / HO (Copy of Domicile Certificate)
3	Copy Nomor Pokok Wajib Pajak - NPWP (Copy Tax ID number of company)
4	Copy Surat Pengukuhan Perusahaan Kena Pajak - SPPKP (Copy of Taxable Company Certificate)
5	Copy Tanda Daftar Perusahaan – TDP / NIB (Copy of Certificate Company Registration)
6	Copy Akte pendirian perusahaan/perubahan *jika ada (Deed of Incorporation)

**Note: Administration Requirement point B 1-6 is not required to be submitted if your company already registered in our SAP and the Company data submitted still valid until closing time. If any document not submitted by the suppliers or the submitted document do not meet the requirement, we will regard that the supplier fails and we will not open the price quotation document (price evaluation)**

*Catatan: Syarat Administrasi no. B 1-6 tidak perlu di kirimkan jika perusahaan anda sudah terdaftar di SAP kami dan data yang dahulu di kirimkan masih berlaku sampai dengan waktu penutupan bidding. Jika ada dokumen yang tidak diserahkan atau dokumen yang diserahkan tidak sesuai dengan persyaratan, kami akan menganggap bahwa supplier gagal dan kami tidak akan membuka dokumen penawaran harga (evaluasi harga).*

	PT. KOMIPO PEMBANGKITAN JAWA BALI	Doc. Ref	: KPJB-0951-02
	PLTU TANJUNG JATI B #UNIT 3&4	Form No.	: KPJB-0951-02-ZZ-FM-03
	REQUEST FOR QUOTATION	Design Div.	: Finance and Administration
		Revision No.	: 00

Attachment 4: RFQ No. K19230

**(KOP PERUSAHAAN/BADAN/LEMBAGA)**

**PAKTA INTEGRITAS**

Saya yang bertanda tangan di bawah ini, dalam rangka Pengadaan ..... (*diisi Nama Pengadaan*) dengan nomor ..... (*diisi nomor RFQ/PR*), pada satuan kerja PT KPJB yang dalam hal ini mewakili PT PLN (Persero) Unit Induk Pembangkitan Tanjung Jati B Jebara dengan ini menyatakan bahwa saya:

1. Akan mentaati peraturan tentang Pedoman Pengadaan Barang/Jasa di Lingkungan PT KPJB dan PT PLN (Persero), dan peraturan perundang-undangan yang terkait dengan pengadaan;
2. Tidak akan melakukan persengkokolan/pengaturan/kerjasama diantara para Peserta Pengadaan/Jasa lain dan/atau Pengguna Barang/Jasa dan/atau Pelaksana Pengadaan yang dapat mengakibatkan terjadinya persaingan usaha tidak sehat;
3. Mendukung prinsip **4 NO's** yang dijunjung tinggi oleh PT KPJB dan PT PLN (Persero) yaitu:
  - a. **No Bribery** (tidak boleh ada suap menyuap dan pemerasan)
  - b. **No Kickback** (tidak boleh ada komisi, tanda terimakasih baik dalam bentuk uang dan dalam bentuk lainnya);
  - c. **No Gift** (tidak boleh ada hadiah atau gratifikasi yang bertentangan dengan peraturan
  - d. **No Luxurious Hospitality** (tidak boleh ada penyambutan dan jamuan yang berlebihan).
4. Tidak akan melakukan komunikasi yang mengarah dan/atau melakukan praktek Korupsi, Kolusi dan Nepotisme (KKN)
5. Akan melakukan proses pengadaan secara bersih dan transparan agar menghasilkan pekerjaan sesuai ketentuan peraturan perundang-undangan yang berlaku.

Apabila saya melanggar hal-hal yang telah saya nyatakan dalam Pakta Integritas ini, saya bersedia dikenakan sanksi sesuai dengan ketentuan peraturan perundang-undangan yang berlaku.

\_\_\_\_\_ [Tempat], \_\_\_\_\_ [Tanggal]

[Tanda Tangan & Cap Perusahaan & Materai 10.000]

\_\_\_\_\_ [Nama Jelas]

\_\_\_\_\_ [Jabatan]

	PT. KOMIPO PEMBANGKITAN JAWA BALI	Doc. Ref	: KPJB-0951-02
	PLTU TANJUNG JATI B #UNIT 3&4	Form No.	: KPJB-0951-02-ZZ-FM-03
	REQUEST FOR QUOTATION	Design Div.	: Finance and Administration
		Revision No.	:00

Attachment 5: RFQ No. K19469

**(KOP PERUSAHAAN/BADAN/LEMBAGA)**

### SURAT PERNYATAAN KEASLIAN DOKUMEN

Yang bertanda tangan di bawah ini :

Nama :

Jabatan :

Alamat :

Sehubungan dengan pekerjaan :

Judul Pekerjaan :

RFQ No. :


Menyatakan dengan sesungguhnya bahwa segala dokumen yang kami sampaikan adalah benar dan apabila dikemudian hari ditemukan bahwa dokumen – dokumen yang telah kami sampaikan tidak benar dan ada pemalsuan, maka kami bersedia dikenakan sanksi sesuai peraturan perundang – undangan yang berlaku.

\_\_\_\_\_ [Tempat], \_\_\_\_\_ [Tanggal]

[Tanda Tangan & Cap Perusahaan & Materai 10.000]

\_\_\_\_\_ [Nama Jelas]

\_\_\_\_\_ [Jabatan]

	<b>PT. KOMIPO PEMBANGKITAN JAWA BALI PLTU TANJUNG JATI B UNIT 3&amp;4</b>	Doc. Ref	: KPJB-0951-02
		Form No.	: KPJB-0951-02-ZZ-FM-16
<b>TERM OF REFERENCE</b>		Design Div.	: Finance and Administration
		Revision No.	: 00

## 1. Background

The spare parts will be provided to equipment as follow:

Name : Induced Draft Fan  
Brand : Shanghai Blower Works Co., Ltd.

## 2. Spare Part Data

2.1. System: Air and Flue Gas System

2.2. Equipment: Induced Draft Fan

2.3. Spare Part Group:

- Overhaul
- PM & PdM
- Run to Failure
- Strategic Parts
- Strategic Equipment

2.4. Usage Plan:

Material will be used for U4POB2026 IDF A&B.

2.5. Description:

As attached document

## 3. Work Scope

Supply material as attached document.

Maker : Shanghai Blower Works Co., LTD.

Fan Type : SAF37.5-20-1.

Equipment No. : 3/4GG-F801A/B.

Year of Construction : 2010.

SBW Project No. : 2008-72.


## 4. CSMS Risk Level:

- 1. Low
- 2. Moderate
- 3. High
- 4. Very High
- 5. Extreme

## 5. Delivery of material and/or services

5.1. Required date is 2 June 2026.

5.2. Delivery point is KPJB's Warehouse, PLTU Tanjung Jati B Unit 3&4, Jepara, Central Java.

	<b>PT. KOMIPO PEMBANGKITAN JAWA BALI PLTU TANJUNG JATI B UNIT 3&amp;4</b>	Doc. Ref	: KPJB-0951-02
		Form No.	: KPJB-0951-02-ZZ-FM-16
	<b>TERM OF REFERENCE</b>	Design Div.	: Finance and Administration
		Revision No.	: 00

## 6. Requirement of Documents

Within delivery the materials, supplier should submit documents as follow:

- 6.1. Original COM issued by manufacturer.
- 6.2. Original COO issued by chamber of commerce.
- 6.3. Inspection report from independent surveyor who have International Accreditation (SGS / TVV Rhinland / QA / others).
- 6.4. Warranty letter for 1 year from Supplier.

## 7. Technical Specification

- 7.1. All of technical specification should be comply with determined specification, cannot be changed, no crack, should be new 100%, genuine, no defect, and can be used properly.
- 7.2. In the case PT KPJB decline the delivered material, supplier should replace the material. If supplier can't replace it, they will be penalized in accordance to General Term & Condition (GTC) of the PO.

## 8. Acceptance Criteria

- 8.1. Delivery time is complied.
- 8.2. All delivered materials are accordance to PO requirement, specification and condition of the TOR.
- 8.3. All of required document are fulfilled.

## 9. Standard of Quality

Quality of the material and or services should comply with standard, code, manufacturer specification and user's requirement.

## 10. Warranty

Generally, if there isn't mentioned at other clause, supplier should warrant the material for 1 year after material being receiving by PT. KPJB.

## 11. Picture and Inspection Report.

As attached.

## 12. Drawing *(please attach)*


IDF Drawing number

- A-GG-M-BV-7710 Axial Fan Rotor.
- A-GG-M-BV-0402 Axial Fan General Arrangement.
- A-GG-M-BV-4614 Bandage.
- A-GG-M-BV-4617 Oil Pipe of Hydraulics and Main Bearing.

	<b>PT. KOMIPO PEMBANGKITAN JAWA BALI</b> <b>PLTU TANJUNG JATI B UNIT 3&amp;4</b>	Doc. Ref	: KPJB-0951-02
		Form No.	: KPJB-0951-02-ZZ-FM-16
	<b>TERM OF REFERENCE</b>	Design Div.	: Finance and Administration
		Revision No.	: 00




### Attached for Description

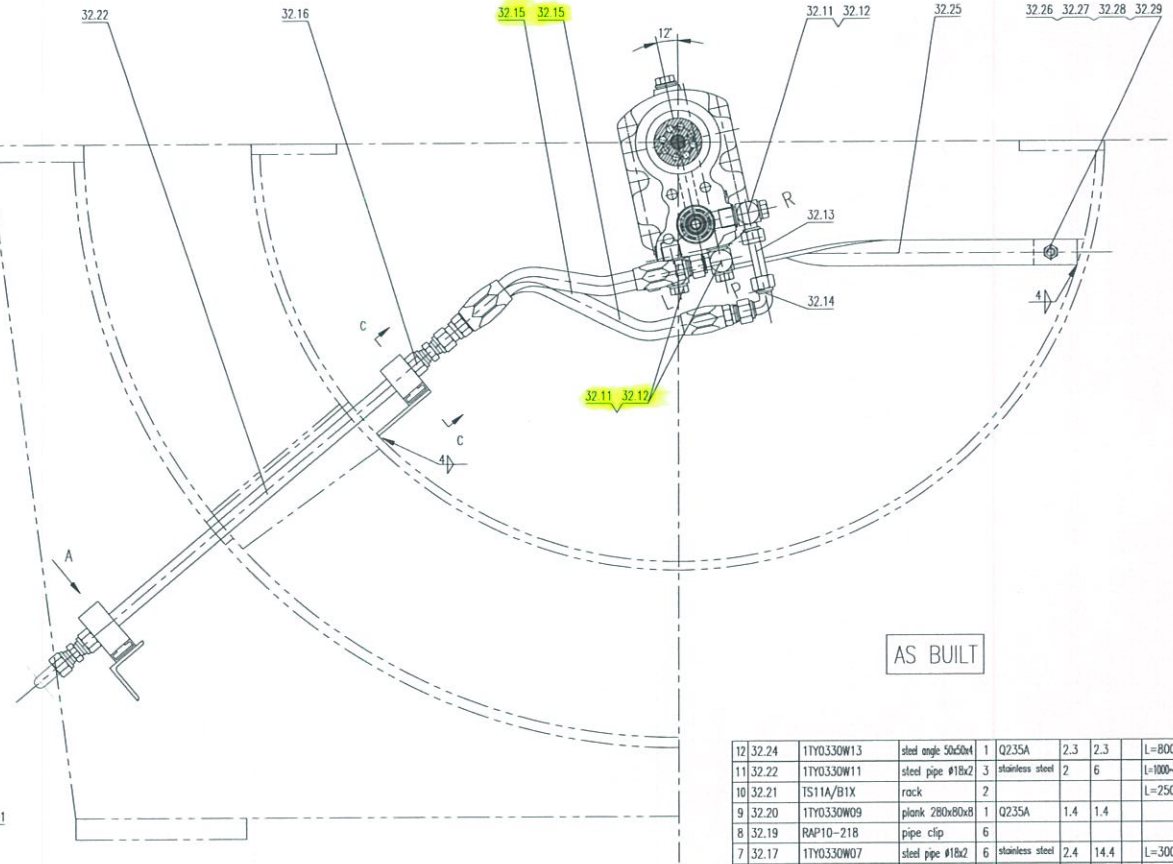
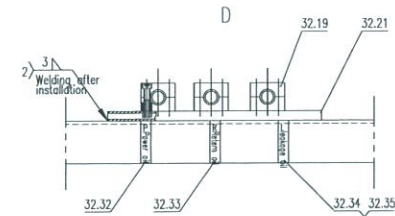
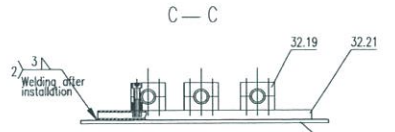
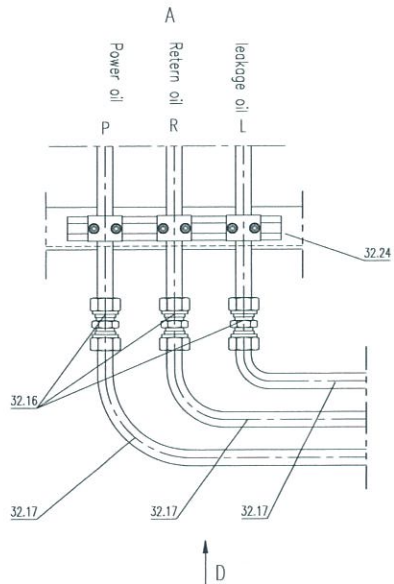
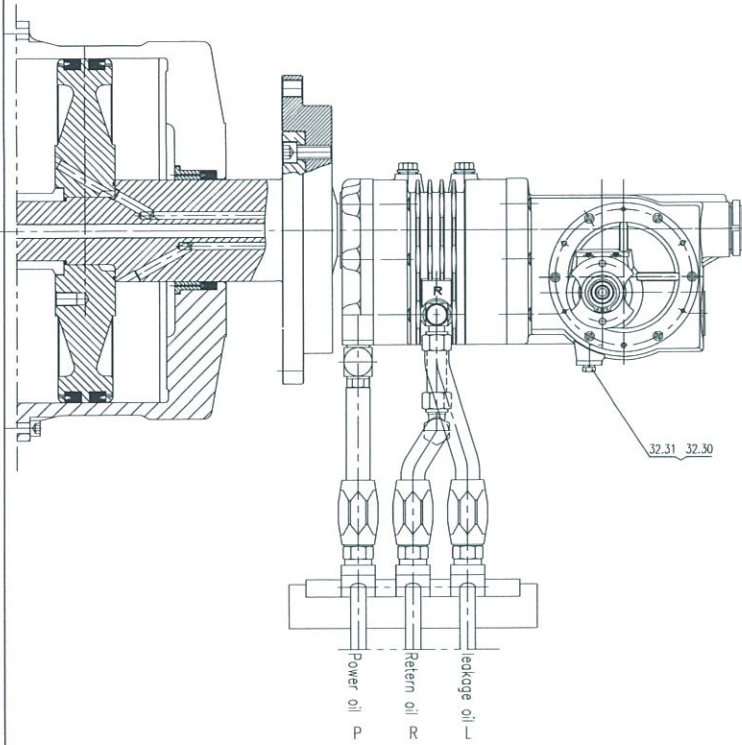
No.	Max. ID	Item Description	Qty	Unit	Remarks
1	208923	RUBBER STRIP, DRAWING PART NO : 12.35, PART NO : Q/HG16-019-63	32	PCS	Inner Parts of Hub. Drawing No. A-GG-M-BV-7710 Axial Fan Rotor. Fan Type SAF37.5-20-1. Shanghai Blower Works Co., LTD
2	208927	O-RING 130x3.1, DRAWING PART NO : 14.75, PART NO : GB1235-76	32	PCS	
3	208928	ROUND RING, DRAWING PART NO : 14.76.01, PART NO : S4GA3055	32	PCS	
4	208929	O-RING 120x5.7, DRAWING PART NO : 14.76.02, PART NO : GB1235-76	32	PCS	
5	208930	ROUND RING, DRAWING PART NO : 14.77.01, PART NO : S4GA3056	32	PCS	
6	208931	O-RING 225x5.7, DRAWING PART NO : 14.77.02, PART NO : GB1235-76	32	PCS	
7	204742	BEARING,THRUST, THRUST BEARING FOR BLADE ID FAN, TYPE : NSK 7214B, PN : 14.81,	32	PCS	
8	214469	BEARING,THRUST, FOR ID FAN HUB BLADE, PN : 14.71, MANUFACTURE : SANGHAI BLOWER	32	PCS	
9	208932	O-RING 75x3.1, DRAWING PART NO : 14.83, PART NO : GB1235-76	32	PCS	
10	208933	ROUND RING, DRAWING PART NO : 14.86.01, PART NO : S4GA3982	32	PCS	
	208934	O-RING 140x3.1, DRAWING PART NO : 14.86.02, PART NO : GB1235-76	32	PCS	
12	208935	O-RING 75x3.1, DRAWING PART NO : 14.87.01, PART NO : GB1235-76	32	PCS	
13	208936	LABYRINTH AIRPROOF, DRAWING PART NO : 14.87.02, PART NO : 4TY0231	32	PCS	
14	208926	SAFETY RING, DRAWING PART NO : 14.34, PART NO : S4GA3051	32	PCS	
15	221797	RING, BLOCK RING, PN: 14.53, CODE NAME: GB/T894.1-1986	32	PCS	
16	221796	LOCK, SAFETY PIECE, PN: 14.35, CODE NAME: S4GA3052	32	PCS	
17	221795	KEY,LOCK, PN: 14.32, CODE NAME: Q/SG742-1, SIZE: 10X10X65MM	32	PCS	
18	210127	BUSHING,SLEEVE, PETIOLE BUSHING, PART NO: 14.21, CODE NAME: S4GA3049	32	PCS	
19	205435	CLAMP,BLOCK, SLIDE BLOCK FOR IDF, PN: 14.52, CODE NAME: S4GA3053, MATERIAL: BRASS	32	PCS	
20	204081	COUPLING,SHAFT, DISC PACK COUPLING, T:0.51 MM, Q235A	2	SET	
21	210161	CLAMP, PIPE, ANCHOR AND REINFORCEMENT, SEALING CINTURE, 100X30X14000, PIECE NO : 78.01, CODE NAME : 1TY0044W13	4	SET	Expansion Joint Spare part Drawing No. A-GG-M-BV-0402 Axial Fan Rotor. Fan Type SAF37.5-20-1. Drawing No. A-GG-M-BV-4614 <b>Note: including scale cinture 10x60x11907, qty: 4 PC.</b>
22	221677	O-RING, SIZE: ID 249.5 MM, THICKNESS: 8.4 MM, MATERIAL: VITON, FOR IDF MAIN BEARING	4	PCS	Main bearing spare parts
23	202473	SEAL RING, OIL SEAL, 265X290X16, VITON, 200 DEG C	4	PCS	
24	206060	PUMPING UNIT, LUBE OIL PUMP, VICKER GPA 3-63-E-20-R6.3	4	SET	LOP Spare Part
25	223586	INDICATOR,SIGHT,LIQUID, IDF OIL LEVEL SIGHT GLASS, HYDRAULIC LUBRICATING DEVICE, MODEL NO: YXHZB 80	2	PC	

	<b>PT. KOMIPO PEMBANGKITAN JAWA BALI</b> <b>PLTU TANJUNG JATI B UNIT 3&amp;4</b>	Doc. Ref	: KPJB-0951-02
		Form No.	: KPJB-0951-02-ZZ-FM-16
	<b>TERM OF REFERENCE</b>	Design Div.	: Finance and Administration
		Revision No.	: 00

### 13. Others

13.1. Aanwijzing process is needed.

Prepared by	Checked by	Approved by
		
<u>Saharul Alim</u> Boiler Staff	<u>Hermawan</u> Boiler Leader	<u>Lim Hyun Chul</u> Manager
Date: 14 <sup>th</sup> Feb. 2025	Date: 14 <sup>th</sup> Feb. 2025	Date: 14 <sup>th</sup> Feb. 2025



Instruction of production

- 1, Part 32.15 should be up to the mustard of dimension according to blower kind.
- 2, Direction plate (P R L) should be installed on part 32.24 & corresponding pipes & tube station. (3 sets)
- 3, All pipes should treat with acidity disposal & be counteracted before installation.

AS BUILT

NO.	DATE	REVISIONS AND DESCRIPTION	DWN	DES	CHK	APP
2	2011.9.19	CONFORMED TO CONSTRUCTION RECORDS	HU	HU	HU	CHG
1	2009.12.31	ISSUE FOR CONSTRUCTION	HU	HU	HU	CHG
0	2009.09.19	INITIAL ISSUE	HU	HU	HU	CHG

Piece No.	Code Name	Description	Part	Material	Single	Totals	Remark
					(kg)		
12	32.24	17Y0330W1.3	1	steel angle 50x50x4	2.3	2.3	L=800
11	32.22	17Y0330W1.1	3	steel pipe #18x2	2	6	L=1000-2500
10	32.21	1S11A/B1X	2	rack			L=250
9	32.20	17Y0330W0.9	1	plank 280x80x8	1.4	1.4	
8	32.19	RAP10-218	6	pipe clip			
7	32.17	17Y0330W0.7	6	steel pipe #18x2	2.4	14.4	L=3000
6	32.16	GB/T3737.1-1983	6	bean G18	0.2	1.2	
5	32.15	JB1886-77	3	hose beam 19/18-1			L=1000-1600
4	31.14	GB/T3740.1-1983	1	bean G18	0.4	0.4	
3	32.13	17Y0330W0.3	1	steel pipe #18x2	0.05	0.05	L=70
2	32.12	4TY1878	6	copper washer	0.01	0.06	TY012-07
1	32.11	GB/T3750.1-1983	3	bean F18	0.4	1.2	

23	32.35	GB/T827-1986	6	rivet 2x5	Cu-0	0.001	0.006													
22	32.34	Q/SG724-4	3	indicator (leak oil)	Cu-0	0.005	0.015													
21	32.33	Q/SG724-3	3	indicator (return oil)	Cu-0	0.005	0.015													
20	32.32	Q/SG724-1	3	indicator (pressure oil)	Cu-0	0.005	0.015													
19	32.31	GB/T93-1987	2	washer 10	65Mn	0.001	0.002													
18	32.30	GB/T15783-2000	2	bolt M10x20	2	8.8	0.02	0.04												
17	32.29	GB/T93-1987	1	washer 10	65Mn	0.001	0.001													
16	32.28	GB/T16170-2000	1	nut M10	1	8	0.008	0.008												
15	32.27	GB/T15783-2000	1	bolt M10x30	1	8.8	0.02	0.02												
14	32.26	4TY1875	1	plank 60x30x5	1	Q235A	0.07	0.07												
13	32.25	4TY1881	1	flat 30x8	1	Q235A														

BLACK & VEATCH  
 PURCHASE ORDER TITLE: TANJUNG JATI B' COAL-FIRED POWER STATION UNITS 3 & 4 2x660MW(NET)  
 PURCHASE ORDER NUMBER: 1452036.02-3403  
 SUMITOMO CORPORATION  
 Rev 2

PROJECT No. TY012-08  
 AGREEMENT No. PART No. 32.00  
 FAN TYPE #400. #500/125  
 1982H

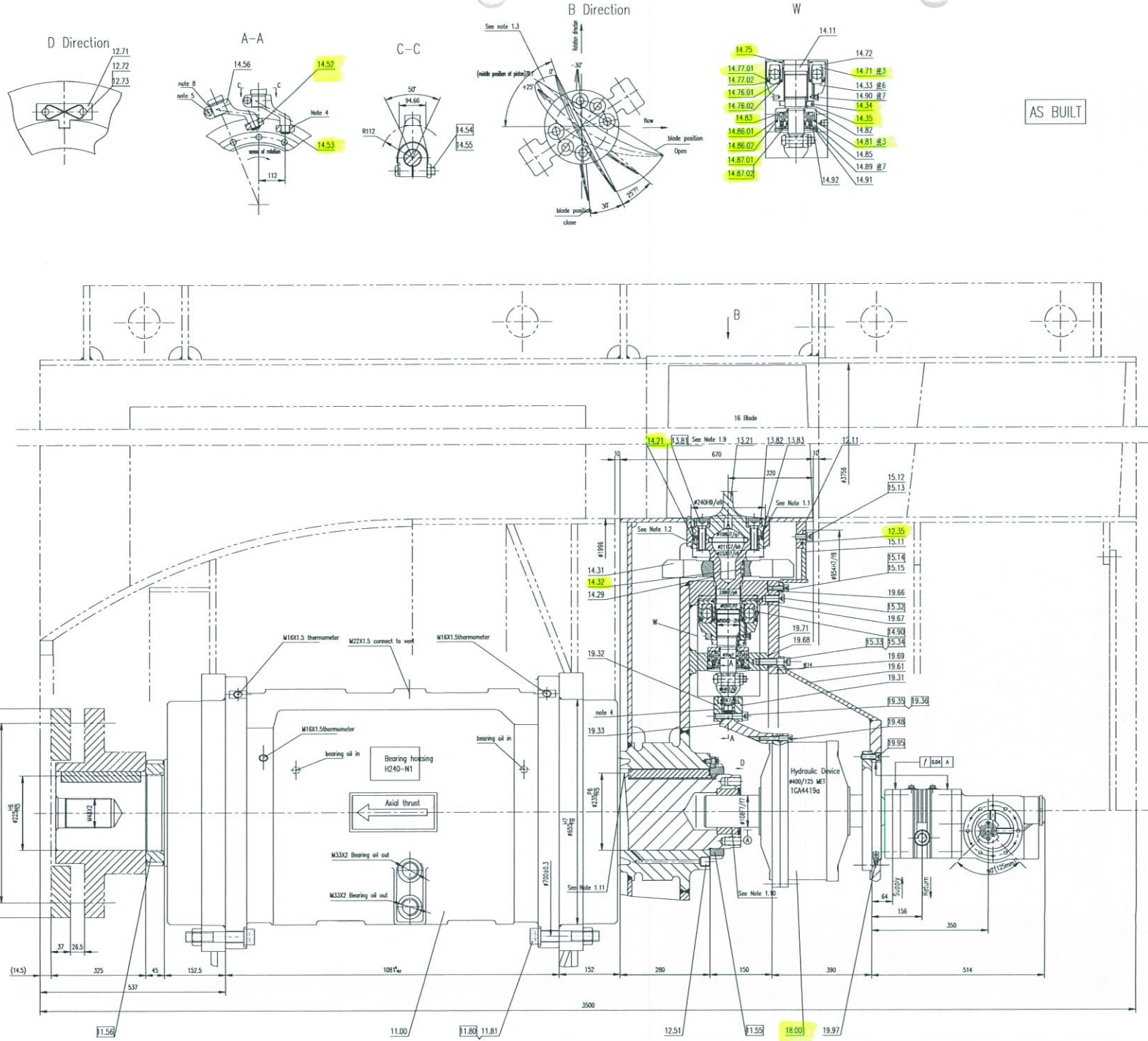
Oil pipe of hydraulics and main bearing

REV	DATE	BY	CHK	APP
1				
2				

Scale: 28.1kg 1:3

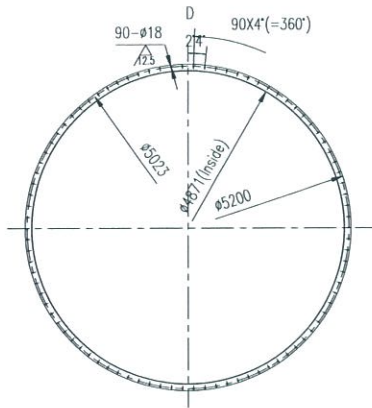
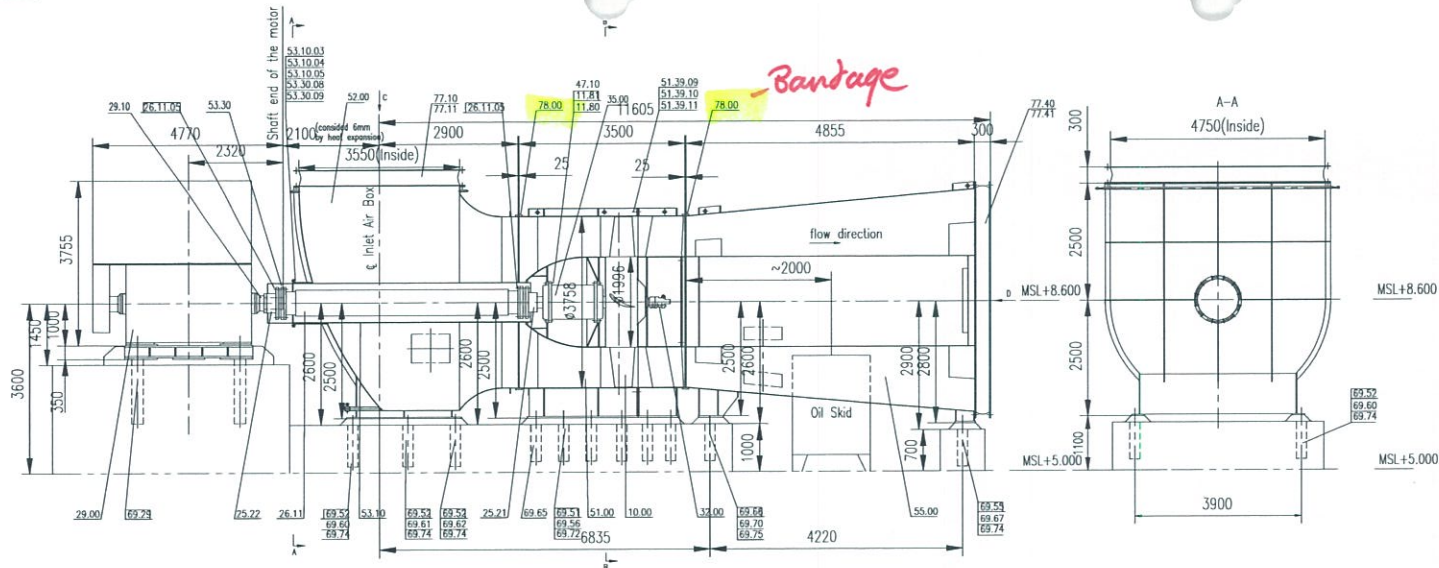
EV

SHIMADZU WORKS CO., LTD.

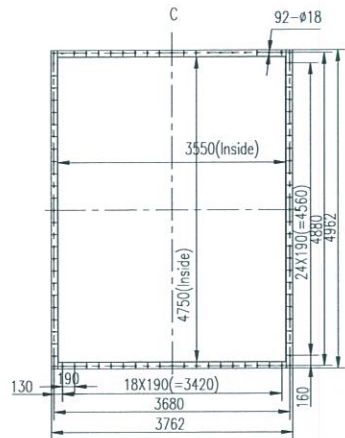


68	19.97	S4GA0245	Adjust bolt	4
67	19.95	CB/770.1-2000	Bolt M20x40	20
66	19.71	S2GA0661	Connect cover	1
65	19.69	Q/HG16-019-63	Rubber strip	1
64	19.68	Q/HG16-019-63	Rubber strip	1
63	19.67	Q/HG16-019-63	Rubber strip	1
62	19.66	Q/HG16-019-63	Rubber strip	1
61	19.61	S1GA1089	Brace	1
60	19.48	CB/770.1-2000	Bolt M16x100	30
59	19.36	CB/770.1-2000	Bolt M8x50	4
58	19.35	CB/770.1-2000	Bolt M16x105	16
57	19.33	S3GA1327	Adjust ring	1
56	19.32	S3GA1326	Adjust ring	1
55	19.31	S2GA0660	Thrust tray	1
54	18.00	S1GA2975	Hydraulic cylinder	1
53	15.34	CB/770.1-2000	Bolt M12x30	4
52	15.33	CB/770.1-2000	Bolt M16x65	20
51	15.32	CB/770.1-2000	Bolt M16x45	21
50	15.15	CB/793-1987	Washer 16	24
49	15.14	CB/770.1-2000	Bolt M16x35	24
48	15.13	CB/793-1987	Washer 12	33
47	15.12	CB/770.1-2000	螺钉M12x30	33
46	15.11	S2GA0659	螺母	1
45	14.92	CB/7893.1-1986	轴承游隙调整块	16
44	14.91	47Y0251	Butterfly spring	16
43	14.90	47Y0311	Prick stuff	96
42	14.89	CB/773-2000	Fraction Bolt M16	32
41	14.87.02	47Y0231	Labyrinth airproof	16
40	14.87.01	GB1235-76	O ring75x3.1	16
39	14.86.02	GB1235-76	O ring140x3.1	16
38	14.86.01	S4GA3982	Round ring	16
37	14.85	S4GA3984	Bearing tray	16
36	14.83	GB1235-76	O ring75x3.1	16
35	14.82	S4GA3981	Bearing house	16
34	14.81	S4GA3981	Thrust ball bearing	16
33	14.77.02	GB1235-76	O ring72.5x5.7	16
32	14.77.01	S4GA3056	Round ring	16
31	14.76.02	GB1235-76	O ring120x5.7	16
30	14.76.01	S4GA3055	Round ring	16
29	14.75	GB1235-76	O ring130x3.1	16
28	14.72	S4GA3054	Bearing cover	16
27	14.71	S4GA3054	Thrust bearing	16
26	14.56	3TY0029	Adjust rod	16
25	14.55	CB/76170-2000	Nut M24	16
24	14.54	CB/75782-2000	Bolt M24x120	16
23	14.53	CB/7894.1-1986	Block ring	16
22	14.52	S4GA3053	Slide block	16
21	14.35	S4GA3052	Safety piece	16
20	14.34	S4GA3051	Safety ring	16
19	14.33	S3GA1324	Petale Nut	16
18	14.32	Q/50742-1	Key 10x10x65	16
17	14.31	S3GA1970	Balance weight	16
16	14.29	S4GA3050	Ring	16
15	14.21	S4GA3049	Petale bushing	16
14	14.11	S2GA1168	Petale	16
13	13.83	S4GA3048	airproof	32
12	13.82	S4GA3047	Bolt bush	96
11	13.81	CB/770.1-2000	Bolt M30x240	96
10	13.21	S1GA2312	Blade	16
9	12.73	S0GA2203W09	Steel wire	1
8	12.72	CB/732.1-1988	Bolt M8x20	2
7	12.71	S4GA0113	Lock block	1
6	12.51	47Y0312	Stuff3/8"	2
5	12.35	Q/HG16-019-63	Rubber strip	1
4	12.11	S1GA2327	Impeller	1
3	11.81	CB/75782-2000	Nut M20x135	16
2	11.80	CB/76170-2000	Nut M20	16
1	11.00	S0GA1380	Bearing house	1

7	0118.18	CONFIRMED TO CONSTRUCTION RECORD	AV	AV	AV	AV	AV	AV
1	0008.13.18	ISSUE FOR CONSTRUCTION	AV	AV	AV	AV	AV	AV
0	0008.13.18	WORK ISSUE	AV	AV	AV	AV	AV	AV
NO.	DATE	REVISIONS AND DESCRIPTION	BY	CHK	APP	CHK	APP	CHK
BLACK & VEATCH		P. T. CENTRAL JAVA POWER						
INDONESIA HEADQUARTERS		TRANSKING JAYA P. COAL-FIRED POWER STATION						
PURCHASE ORDER NUMBER:		UNITS 3 & 4 (2x600MW/SET)						
PURCHASE ORDER NUMBER:		SUMITOMO CORPORATION						
145806.RD.34003		A - 05 - 0 - 0 - 0 - 0 - 0 - 0						
PROJECT No.	2004-04	REV. DATE	S0232-2P-1					
REVISION No.		REV. DATE	1003					
REV. No.	Change No.	By	REVISION					
1			Rotor					
2			BY					
SUMITOMO HEAVY INDUSTRIES CO., LTD.								

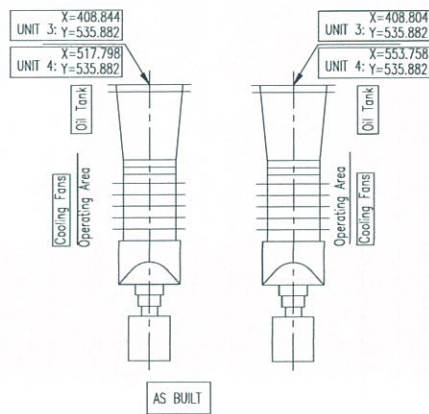
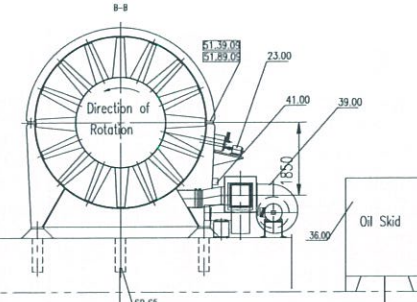


Fan Type: SAF37.5-20-1  
Name: ID-FAN



Notes for ID-Fan

- The gap between blade and casing is 5.5 $\mu$ m.
- Looks from the anti-air flow direction, the rotor rotates clockwise.
- Field balance the rotor(With VD12060).  
3.1 Max. Shaft speed is n=735 r/min.  
3.2 Balanced grade is G4.  
Allowed eccentricity of rotation is e=25  $\mu$ m.  
Allowed rest unbalance load is 275000 gmm per side.  
Double-faced balanced test id allowed.
- Balance-weight must be thinner than 10 mm.
- Remove the balance-weights when change the blades. Then, remark blade marks and show the position with striking colour. make the dynamic balance test again.
- All the oil return lines slop downward 3°~5°.
- Customer equipment identification numbers.  
30G-F801A  
30G-F801B  
40G-F801A  
40G-F801B



No.	QTY	Part Name	Part	Material	Single	Notes	Remark
46	10.00	Shaft of Fan	1				
47	1.00	The Cover of Collector ring	1				
48	2.00	Blower	2				
49	2.00	Blower expansion joint	2				
44	1.00	Section expansion joint	1				
42	8.00	Sliding Spring	8				
43	12.00	Sliding Spring	12				
41	2.00	Slipring Board	2				
40	2.00	Distillation Board	2				
39	1.00	Distillation Board	1				
38	2.00	Slipring Board	2				
37	2.00	Slipring Board	2				
36	2.00	Slipring Board	2				
35	2.00	Slipring Board	2				
34	2.00	Regular Bolt M6-60	24				
33	2.00	Anchor Bolt M8X200	2				
32	6.00	Anchor Bolt M8X200	6				
31	12.00	Anchor Bolt M8X100	12				
30	14.00	Anchor Bolt M8X200	14				
29	1.00	Blower	1				
28	10.00	Blower	10				
27	10.00	Blower	10				
26	1.00	Cover of Coupling	1				
25	1.00	Blower	1				
24	1.00	Blower	1				
23	1.00	Blower	1				
22	1.00	Blower	1				
21	1.00	Blower	1				
20	1.00	Blower	1				
19	1.00	Blower	1				
18	1.00	Blower	1				
17	1.00	Blower	1				
16	1.00	Blower	1				
15	1.00	Blower	1				
14	1.00	Blower	1				
13	1.00	Blower	1				
12	1.00	Blower	1				
11	1.00	Blower	1				
10	1.00	Blower	1				
9	1.00	Blower	1				
8	1.00	Blower	1				
7	1.00	Blower	1				
6	1.00	Blower	1				
5	1.00	Blower	1				
4	1.00	Blower	1				
3	1.00	Blower	1				
2	1.00	Blower	1				
1	1.00	Blower	1				

Parameter	Operating Mode			
	T.B	BMCR	TMCR	ECR
Real Capacity (m <sup>3</sup> /s)	589.61	503.94	487.77	478.03
Barometric Pressure (Pa)	101265			
Inlet Temperature (°C)	123.70	123.70	121.90	121.90
Total Pressure Incr. (Pa)	4849	3514	3368	3202
Rotor Speed (r/min)	735			
Shaft Power (KW)	3338	1986	1859	1762
Fan Efficiency (%)	84.22	88.09	87.36	85.88
Fan's Moment of Inertia(J=0.25GD) <sup>2</sup> kgm	3735			
Motor	YKK1000-B 3500KW 10KV			

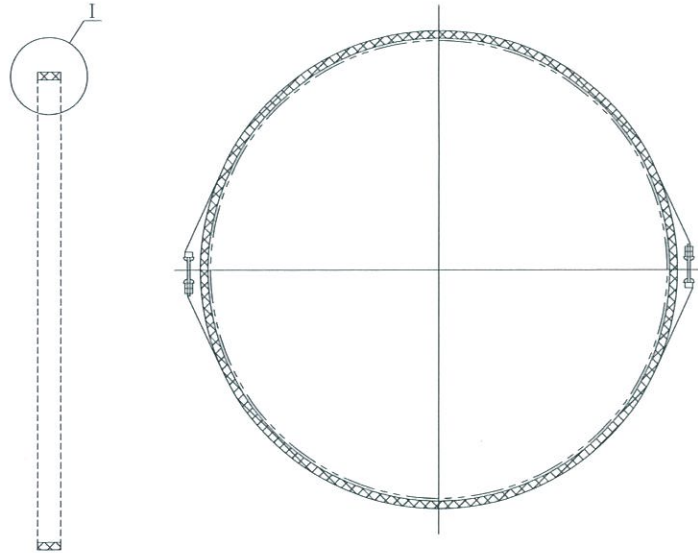
BLACK & VEATCH  
PURCHASE ORDER TITLE: INDURCO DRIFT FRANG  
PURCHASE ORDER NUMBER: 1462386.62.3403

P. T. CENTRAL JAVA POWER  
TANJUNG JATI 'B' COAL-FIRED POWER STATION  
UNITS 3 & 4 2x660MW(NET)  
SUMITOMO CORPORATION

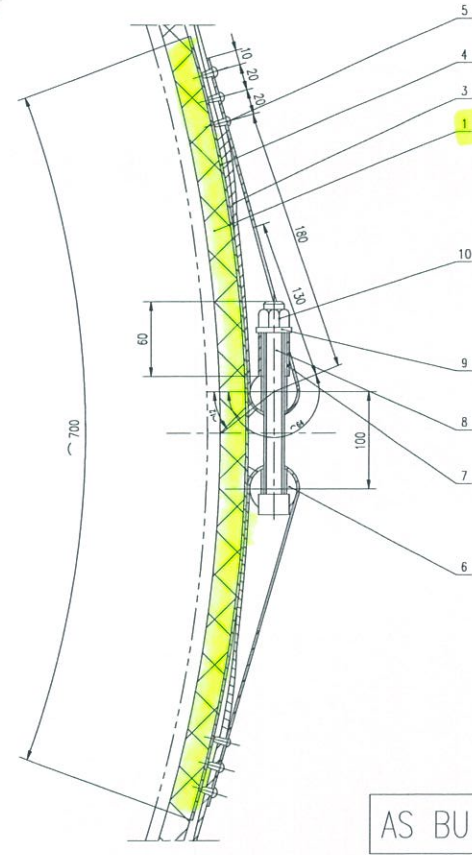
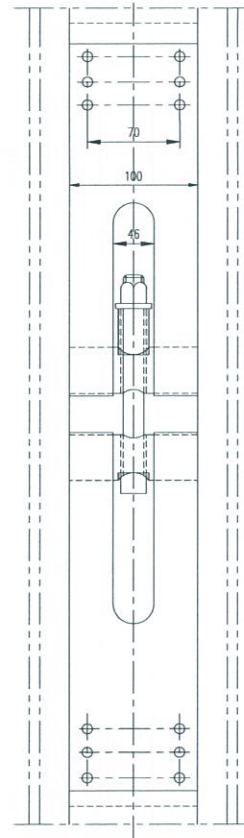
PROJECT No. 2008-72  
ACREMENT No. 00.00  
FAN TYPE: SAF37.5-20-1  
PART No. 00.00

NO. DATE REVISIONS AND DESCRIPTION  
NO. DATE REVISIONS AND DESCRIPTION

AS BUILT



I Local zoom in  
1:1

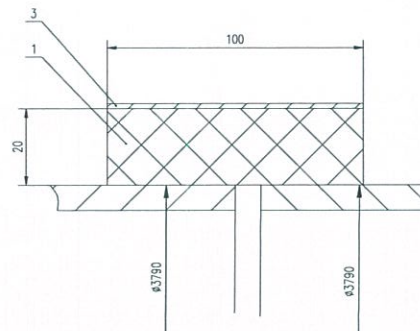
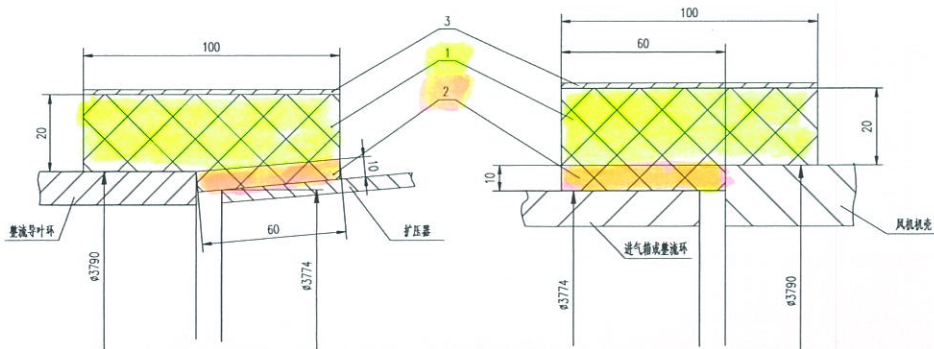


AS BUILT

Power plant blower  
Mine blower aerodynamic adjustment-expander  
tunnel blower

Power plant blower Inlet box -blower case  
Mine blower aerodynamic adjustment -blower case

Mine blower strobe -Inlet current collector  
Mine blower Inlet current collector -aerodynamic adjustment  
tunnel blower inlet transition part -blower case

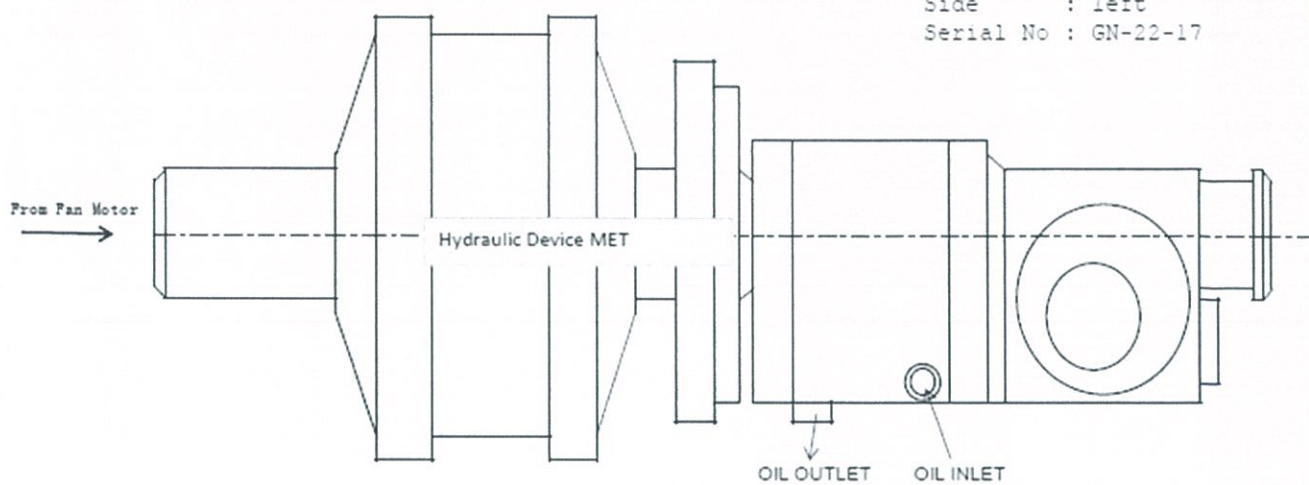


Item No.	Code Name	Description	Part	Material	Single	Table	Remark
10	78.10	GB/16170-2000	nut M20	2	8	0.052	0.104
9	78.09	GB/197.2-2002	washer 20	2	140HV	0.016	0.032
8	78.08	GB/170.1-2000	bolt M20x180	2	8.8	0.496	0.992
7	78.07	4TY0742	Steel pipe #20x3x35	2	20-0	0.065	0.130
6	78.06	4TY0741	Pin #36x100	4	20-0	0.660	2.640
5	78.05	GB/1867-1986	rivet 6x10	24	ML2	0.004	0.096
4	78.04	1TY0076W04	Steel circle 100x1x70	2	Q215	0.550	1.100
3	78.03	1TY0076W03	Steel circle 100x1x60A	2	Q215	5.110	10.220
2	78.02	1TY0076W02	Stab circle 100x1x70	1		5.350	5.350
1	78.01	1TY0076W01	Stab circle 100x1x70	1		17.950	17.950

Place No.	Code Name	Description	Part	Material	Single	Table	Remark
2	2011.9.19	CONFORMED TO CONSTRUCTION RECORDS			HU	HU	HU
1	2009.12.31	ISSUE FOR CONSTRUCTION			HU	HU	HU
0	2009.9.25	INITIAL ISSUE			HU	HU	HU
NO.	DATE	REVISIONS AND DESCRIPTION	DWN	DES	CHK	APP	
<p><b>BLACK &amp; VEATCH</b> P. T. CENTRAL JAVA POWER                  PURCHASE ORDER TITLE: TANJUNG JATI B' COAL-FIRED POWER STATION                  INDUCER DRAFT FANS UNITS 3 &amp; 4 2x660MW(NET)                  PURCHASE ORDER NUMBER: SUMITOMO CORPORATION                  145236.62.2403</p>							
PROJECT No.	TJ02-06		FAN TYPE				
ACREMENT No.			PART No.		78.00		
				Bandage		17806	
Rev	Change No.	Sig	Date	REMARK		SCALE	
Design	Gunawan					1:1	
Check	Nisan					2	
Examine	Zulfeng						
Process							
EV							
SHANGHAI BLUMER MARKS Co., LTD.							

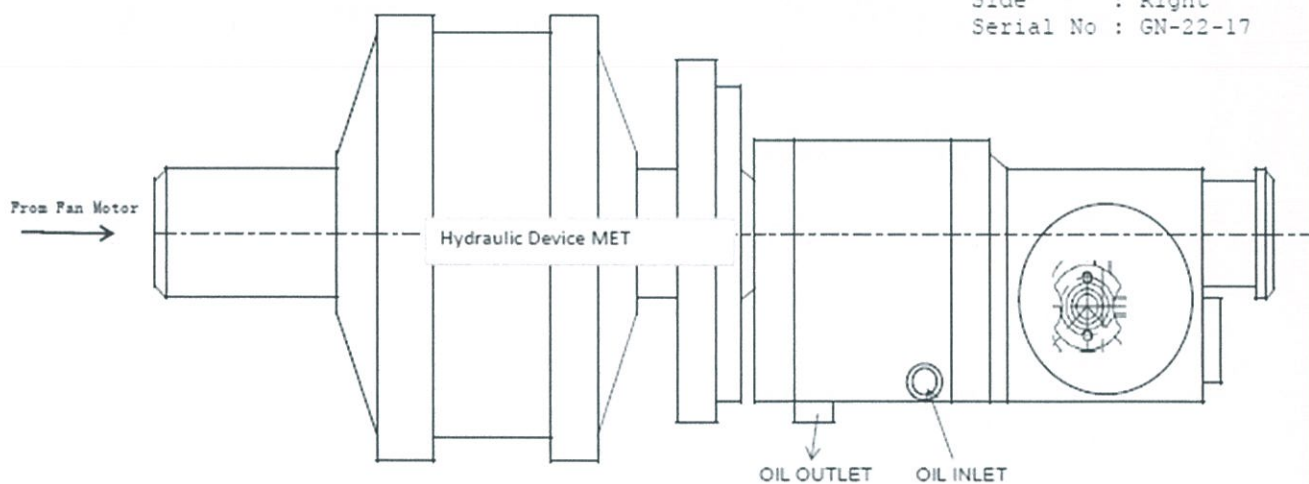
Left Side Hydraulic Vane Control Device

Part No : 1GA4419a  
Side : left  
Serial No : GN-22-17

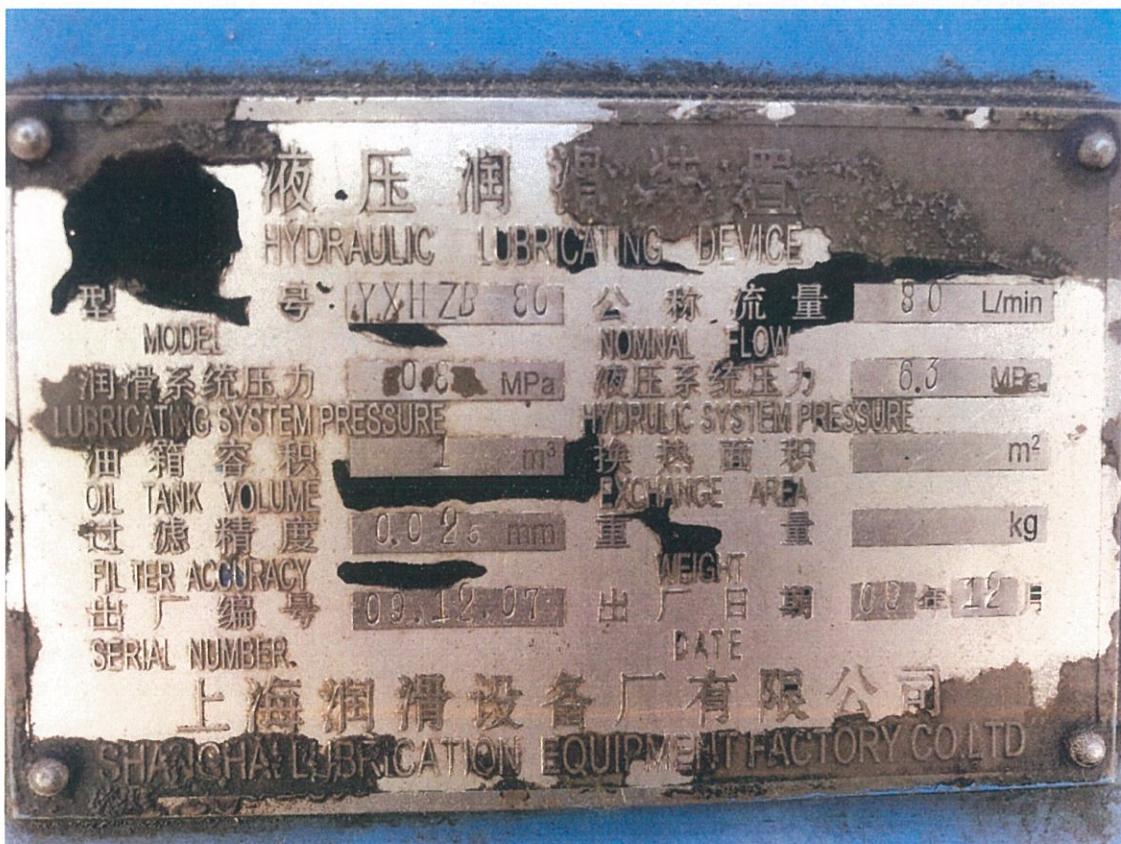
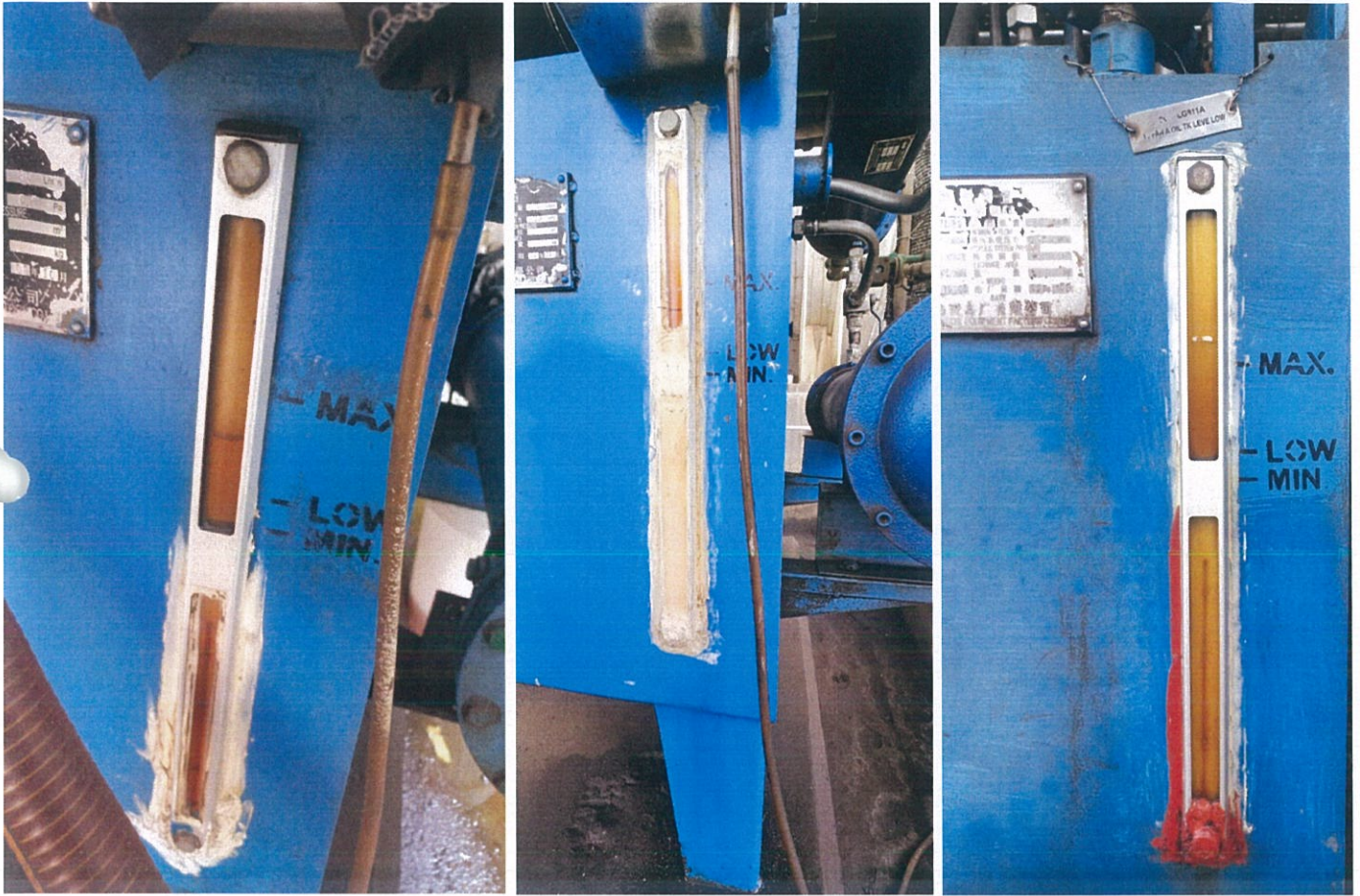


Right Side Hydraulic Vane Control Device

Part No : 1GA4419a  
Side : Right  
Serial No : GN-22-17



# IDF Sight Glass of Hydraulic Lubricating Device Model: YXH ZB 80





PT. KOMIPO PEMBANGKITAN JAWA BALI

PLTU TANJUNG JATI B #UNIT 3&amp;4

PURCHASE ORDER

Doc. Ref : KPJB-0951-02

Form No. : KPJB-0951-02-ZZ-FM-05

Design Div. : Finance and Administration

Revision No. : 01



## TERMS AND CONDITION

Lampiran

## SYARAT - SYARAT DAN KONDISI

**KETENTUAN UMUM**

Singkatan dan istilah umum :

"Purchase Order/PO" adalah Surat Pesanan Pembelian (*Purchase Order* atau PO).

"ASET OPERATOR" adalah PT Komipo Pembangkitan Jawa Bali (PT. KPJB)

"PLN TJB" adalah PT PLN (Persero) Unit Induk Pembangkitan Tanjung Jati B.

"PPN" adalah Pajak Pertambahan Nilai.

**1. SURAT MENYURAT**

Setiap surat menyurat harus menggunakan Kop Surat Perusahaan yang mencantumkan Nomor *Purchase Order/PO* , Nomor Surat Penawaran, Tanggal dan ditandatangani di atas meterai oleh Penyedia Barang/Jasa (oleh Direktur atau yang dikuasakan berdasarkan Anggaran Dasar Perusahaan), dan dialamatkan kepada: **ASET OPERATOR**, Procurement, Jepara.

Korespondensi antara **ASET OPERATOR** dan Penyedia Barang/Jasa dapat dilaksanakan melalui surat, faksimili, atau *e-mail* dan ditujukan kepada alamat masing-masing Pihak sebagaimana yang tercantum dalam *Purchase Order/PO*.

Salah satu Pihak dapat mengganti alamat, nomor telepon, faksimili dan/atau *E-mail* dengan memberikan pemberitahuan terlebih dahulu kepada Pihak lainnya.

**2. PROSES PENGADAAN**

Proses Pengadaan diadakan dengan sistem yang diputuskan oleh **ASET OPERATOR Procurement** dan **PLN TJB**, dimana prosedur yang berlaku yaitu sebagai berikut:

- 2.1 Penyedia Barang / Jasa yang diundang untuk Pengadaan adalah yang telah terdaftar di daftar Penyedia Barang/Jasa **ASET OPERATOR** dan telah disetujui oleh **PLN TJB** dengan diterbitkan "SAP CODE" oleh **PLN TJB**.
- 2.2 Menyerahkan Jaminan Penawaran untuk Surat Penawaran di atas Rp.500,000,000,- (Lima Ratus Juta Rupiah) dan/atau dipersyaratkan pada Undangan Pengadaan Barang / Jasa dengan nilai jaminan minimal 1% (satu persen) dan maksimal 3% (tiga persen) dari Harga Penawaran dari Penyedia Barang/Jasa termasuk PPN sesuai peraturan yang berlaku, kepada **ASET OPERATOR** dengan masa berlaku adalah 90 (Sembilan Puluh) hari kalender terhitung dari tanggal yang tertera di Surat Penawaran Harga. Jaminan Penawaran Harus diterbitkan oleh Bank sesuai dengan Daftar Penyedia Jaminan Terseleksi (DPJT) PLN yang telah disetujui oleh **ASET OPERATOR** dan/atau **PLN TJB**.
- 2.3 Penyedia Barang/Jasa wajib memenuhi persyaratan yang diminta oleh **ASET OPERATOR Procurement** dan tercantum dalam Surat Penawaran Harga, yaitu sebagai berikut:
  - 2.3.1 Jadwal Pengiriman/pekerjaan yang diajukan dalam Surat Penawaran Harga adalah dalam hitungan "**HARI KALENDER atau TANGGAL yang disepakati**".
  - 2.3.2 Sertifikat dan/atau dokumen lainnya yang dipersyaratkan dalam permintaan barang/jasa yang akan diserahkan, maka harus tercantum dalam Surat Penawaran Harga dan itu adalah "**SERTIFIKAT/DOKUMEN ASLI**", kecuali ada ketentuan dan persetujuan lain yang disepakati Para Pihak (Penyedia Barang/Jasa dan **ASET OPERATOR Procurement**).
  - 2.3.3 Harga Yang ditawarkan adalah dalam "**RUPIAH**" sesuai dengan peraturan yang berlaku, kecuali ada ketentuan dan persetujuan lain yang disepakati Para Pihak (Penyedia Barang/Jasa dan **ASET OPERATOR Procurement**).
  - 2.3.4 Surat Penawaran Harga yang diserahkan ke **ASET OPERATOR Procurement** harus menggunakan kop surat resmi perusahaan, bertanggal, bermeterai dan ditandatangani oleh Penyedia Barang/Jasa (oleh Direktur atau yang dikuasakan berdasarkan Anggaran Dasar Perusahaan).
  - 2.3.5 Masa berlaku Surat Penawaran Harga adalah 90 (Sembilan Puluh) Hari Kalender sejak tanggal Surat Penawaran Harga dibuat.
  - 2.3.6 Syarat dan Kondisi penyerahan barang/jasa adalah "**DDP Tanjung Jati B**" (*incoterms* 2000), kecuali ada ketentuan dan persetujuan lain yang disepakati Para Pihak (Penyedia Barang/Jasa dan **ASET OPERATOR Procurement**).
  - 2.3.7 Syarat dan Kondisi Pembayaran adalah 45 (empat puluh lima) Hari Kalender sejak barang/atau bukti penyelesaian pekerjaan dan dokumen lainnya yang dipersyaratkan dalam *Purchase Order/PO* lengkap diterima oleh **ASET OPERATOR** dan **PLN TJB**.
  - 2.3.8 Penyedia Barang/Jasa dipersyaratkan mencantumkan kesanggupan untuk menerbitkan "**Surat Pernyataan Jaminan/Warranty Letter**", yang menyatakan bahwa barang yang dikirimkan adalah Asli, Baru dan Tidak ada cacat. *Purchase Order/PO* lengkap diterima oleh **ASET OPERATOR** dan dapat digunakan, dan ditandatangani di atas meterai oleh Penyedia Barang/Jasa (oleh Direktur atau yang dikuasakan berdasarkan Anggaran Dasar Perusahaan). Jika dipersyaratkan dalam PO
- 2.4 Surat Penawaran Harga dan Dokumen pengadaan lainnya yang telah diterima oleh **ASET OPERATOR Procurement** adalah mutlak milik **ASET OPERATOR Procurement** dan keputusan yang dibuat oleh **ASET OPERATOR Procurement Komite** adalah mutlak dan tidak dapat diganggu gugat.
- 2.5 Adapun Syarat dan Ketentuan lainnya yang ditetapkan terpisah adalah satu kesatuan dari Syarat –Syarat dan Kondisi pada lampiran 2.

**3. PERSETUJUAN PURCHASE ORDER/PO**

Sebagai konfirmasi persetujuan Pesanan atau syarat-syarat *Purchase Order/PO*, Nomor Referensi Rekanan wajib menandatangani Surat *Purchase Order/PO* di atas meterai yang cukup pada kolom yang tersedia dan mengembalikan kepada Procurement **ASET OPERATOR**.

**3.1 PROSES PURCHASE ORDER/PO**

Proses *Purchase Order/PO* diberlakukan dalam tahap sebagai berikut:

- 3.1.1 *Purchase Order/PO* atas nama **PLN TJB** lebih besar dari Rp.500,000,000,- (Lima Ratus Juta Rupiah), maka Penyedia Barang/Jasa diwajibkan menyerahkan Jaminan Pelaksanaan ditujukan ke **PLN TJB**, bernilai minimal 5% (lima persen) dari total harga barang/ jasa yang tercantum dalam *Purchase Order/PO* termasuk PPN sesuai dengan peraturan yang berlaku.
- 3.1.2 *Purchase Order/PO* Asli yang telah lengkap ditandatangani oleh **ASET OPERATOR** atas sepengetahuan dan persetujuan **PLN TJB** terlebih dahulu, dan wajib ditandatangani di atas meterai oleh Penyedia Barang/Jasa (oleh Direktur atau yang dikuasakan berdasarkan Anggaran Dasar Perusahaan) dan dikembalikan kepada Procurement **ASET OPERATOR**.
- 3.1.3 *Aktivasi Surat Purchase Order/PO* adalah 7 (tujuh) Hari Kalender sejak *Purchase Order/PO* dikirimkan melalui surat tertulis dan/atau surat elektronik (*surel/email*) oleh Procurement **ASET OPERATOR**.
- 3.1.4 *Jangka Waktu berlakunya Purchase Order/PO* ditetapkan dalam *Purchase Order/PO*, pada kolom "**Start Date**" dan "**End Date**".
- 3.1.5 Pada ketentuan *Pasal* 3.1.1 dimana **ASET OPERATOR** akan mengirimkan surat "*Appointment of awarded Supplier*" melalui surat tertulis dan/atau Surat Elektronik (*surel/email*) kepada Penyedia Barang/Jasa, dan selambat-lambatnya dalam waktu 14 (empat belas) Hari Kalender setelah tanggal dikirimkan surat "*Appointment of awarded Supplier*", maka Jaminan Pelaksanaan harus diterima oleh Procurement **ASET OPERATOR**, apabila telah melewati jangka waktu yang telah ditetapkan dan pihak Penyedia Barang/Jasa belum memberikan Jaminan Pelaksanaan, maka **ASET OPERATOR** mempunyai hak membatalkan perikatan hukum (*Purchase Order/PO*) dengan Penyedia Barang/Jasa. Penyedia Barang/Jasa dianggap mengundurkan diri dan Jaminan Penawaran dicairkan tanpa syarat. Penyedia Barang/Jasa dianggap telah melakukan Wanprestasi dan akan dikenakan sanksi sesuai dengan peraturan yang berlaku di **ASET OPERATOR** dan **PLN TJB**.



PT. KOMIPO PEMBANGKITAN JAWA BALI

PLTU TANJUNG JATI B #UNIT 3&4

PURCHASE ORDER

Doc. Ref : KPJB-0951-02

Form No. : KPJB-0951-02-ZZ-FM-05

Design Div. : Finance and Administration

Revision No. : 01



- 3.2 **ASET OPERATOR** dan Penyedia Barang/Jasa sepakat dalam hal **ASET OPERATOR** membatalkan *Purchase Order/PO* maka **ASET OPERATOR** dan **PLN TJB** tanpa terkecuali dibebaskan dari segala bentuk gugatan dan laporan hukum, sanksi, ganti rugi, penggantian biaya-biaya maupun ongkos-ongkos apapun sehingga Penyedia Barang/Jasa tidak memiliki hak dan wewenang untuk menuntut pertanggungjawaban apapun lagi dari **ASET OPERATOR** dan **PLN TJB**.
- 3.3 *Purchase Order/PO* dan Ketentuan lainnya yang ditetapkan terpisah adalah satu kesatuan dari Syarat –Syarat dan Kondisi lampiran 2.

#### 4. JANGKA WAKTU PELAKSANAAN

Jangka Waktu Pelaksanaan adalah Jangka Waktu yang tertera dalam *Purchase Order/PO* sesuai pada ketentuan Pasal 3.1.4, kecuali adanya pengakhiran atau perpanjangan berdasarkan kesepakatan Para Pihak.

#### 5. PERPANJANGAN WAKTU PELAKSANAAN

Setiap perpanjangan waktu pelaksanaan akan diterbitkan Amendemen *Purchase Order/PO* dengan Jangka Waktu yang disepakati Para Pihak.

#### 6. PERUBAHAN *PURCHASE ORDER/PO* (AMENDMENT *PO*)

Setiap perubahan atas *Purchase Order/PO* mengenai Masa berlaku *Purchase Order/PO*, sebagaimana ketentuan pada Pasal 3.1.4 dan syarat-syarat dan kondisi lain hanya akan mengikat apabila disetujui secara tertulis dari **ASET OPERATOR** atas nama **PLN TJB** dengan diterbitkannya *Amendment PO* yang diterbitkan 2 (dua) rangkap yang masing - masing rangkap ditandatangani diatas meterai oleh **ASET OPERATOR** dan Penyedia Barang/Jasa.

#### 7. BARANG-BARANG

7.1 Semua barang yang dipasok/disuplai harus sesuai dengan perincian yang tercantum dalam *Purchase Order/PO*.

7.2 Penyimpangan dari ketentuan-ketentuan di atas tidak diperkenankan tanpa persetujuan tertulis/tanpa *Amendment PO* dari **ASET OPERATOR**.

#### 8. KEMASAN

Kemasan harus dibuat kuat (dalam wujud kayu atau karton) dan layak laut atau udara sesuai dengan standar yang berlaku bagi kemasan. Semua harga bahan kemasan telah termasuk dalam harga yang telah disetujui. Pada setiap kemasan harus dicantumkan nama barang.

#### 9. PEMERIKSAAN

9.1 Pemeriksaan sebelum pengapalan: apabila pemeriksaan sebelum pengapalan diperlukan, maka **ASET OPERATOR** dan/atau **PLN TJB** akan melakukan pemeriksaan barang di tempat Penyedia Barang/Jasa atau tempat lain yang disetujui Para Pihak.

9.2 Barang akan diperiksa pada waktu penyerahan dilaksanakan setelah lengkap dengan dokumen yang dipersyaratkan pada *Purchase Order/PO*. Barang yang tidak memenuhi syarat-syarat yang ditentukan dalam *Purchase Order/PO* akan dikembalikan kepada Penyedia Barang/Jasa, dan semua biaya dan kerugian akan ditimbulkan menjadi risiko dan tanggung jawab Penyedia Barang/Jasa.

#### 10. SERTIFIKASI

Sertifikat untuk barang (-barang) tertentu yang ditetapkan oleh **ASET OPERATOR** dan **PLN TJB** adalah sebagai berikut:

- Sertifikat Asal Usul Barang (*Certificate of Origin/COO*);
- Sertifikat dari Pabrik (*Certificate of Manufacture/COM*);
- Surat Keaslian Barang;
- Sertifikat Hasil Uji Pabrik (*Factory Acceptance Test Certificate*);
- Salinan Dokumen Impor Barang (*Copy Bill of Lading*);
- Sertifikat Analisa (*Certificate of Analysis/COA*);

ataupun dokumen-dokumen pendukung lainnya (sebagaimana dipersyaratkan khusus di *Purchase Order/PO*).

#### 11. PENYERAHAN

11.1 Penyedia Barang/Jasa harus menyerahkan barang (-barang) dalam jangka waktu dan tempat sesuai dengan syarat-syarat yang telah ditentukan dalam *Purchase Order/PO*.

11.2 Dalam jangka waktu paling lambat 7 (tujuh) Hari Kalender sebelum pengiriman barang (-barang), Penyedia Barang/Jasa harus memberitahukan **ASET OPERATOR** mengenai jadwal pengiriman.

11.3 Waktu Penyerahan barang(-barang) dihitung efektif sejak 7 (tujuh) Hari Kalender sejak *Purchase Order/PO* dikirimkan melalui surat tertulis dan/atau Surat Elektronik (*surel/ email*) oleh Procurement **ASET OPERATOR** ditambah jangka waktu pengiriman yang tercantum pada *Purchase Order/PO* sebagaimana ketentuan pada Pasal 3.1.5 dan lengkap disertai dengan penyerahan dokumen pendukung yang dipersyaratkan dalam *Purchase Order/PO*.

#### 12. DENDA SANKSI

12.1 Sanksi atas pencairan Jaminan Penawaran tanpa syarat apabila Penyedia Barang/Jasa membatalkan *Purchase Order/PO* secara sepihak, tanpa persetujuan **ASET OPERATOR** dan **PLN TJB**, sebagaimana ketentuan pada Pasal 2.2 dan Pasal 3.1.6. Penyedia Barang/Jasa dianggap telah melakukan Wanprestasi dan mendapatkan sanksi *blacklist* di lingkungan **ASET OPERATOR** dan **PLN TJB** minimal 2 (dua) tahun.

12.2 Denda atas keterlambatan menyelesaikan pekerjaan atau memasok Barang adalah setiap hari keterlambatan dikenakan 1/1000 (satu per seribu) dengan maksimal denda keterlambatan adalah 5% (lima persen) dari total nilai *Purchase Order/PO* belum termasuk PPN sesuai dengan peraturan yang berlaku dan/atau sama dengan maksimal keterlambatan pengiriman maksimal adalah 50 (lima puluh) Hari Kalender, kecuali ada kesepakatan lain antara Para Pihak. Serta melakukan pemotongan pembayaran kepada Penyedia Barang/Jasa dengan menggunakan nilai denda yang sudah ditetapkan **ASET OPERATOR** tersebut sebagai dasar pemotongan.

12.3 Batas maksimal Penyedia Barang/Jasa dalam keterlambatan adalah 3 (tiga) *Purchase Order/PO* dan Penyedia Barang/Jasa akan di tangguhkan ("*suspend*") atau tidak dapat turut serta dalam proses pengadaan berikutnya. Pemberian Penangguhan ("*suspend*") kepada Penyedia Barang/Jasa adalah hak mutlak **ASET OPERATOR** atas persetujuan **PLN TJB**, dan tanpa pemberitahuan resmi kepada Penyedia Barang/Jasa.

12.4 Penyedia Barang/Jasa tidak dapat membatalkan *Purchase Order/PO* sepihak kepada **ASET OPERATOR** dan/atau **PLN TJB**. Bila Penyedia Barang/Jasa tidak sanggup menyerahkan atau menyelesaikan pekerjaannya dalam waktu yang telah ditentukan, **ASET OPERATOR** dan/atau **PLN TJB** sebagaimana ketentuan pada Pasal 11.3, maka **ASET OPERATOR** memiliki hak dan wewenang penuh untuk:

12.4.1 Mengenakan denda maksimal sebesar 5% (lima persen) dari Total Nilai pada *Purchase Order/PO* atau mencairkan Jaminan Pelaksanaan tanpa syarat;

12.4.2 Dan/ Atau memesan barang/ jasa tersebut kepada sumber lain dan bila ada kelebihan harga yang dibayarkan **ASET OPERATOR** maka Penyedia Barang/Jasa wajib menanggung kelebihan harga tersebut;

12.4.3 Penyedia Barang/Jasa dianggap telah melakukan Wanprestasi dan mendapatkan sanksi *black list* di lingkungan **ASET OPERATOR** dan **PLN TJB** minimal 2 (dua) tahun disertai dengan membatalkan atau mengakhiri PO beserta pengakhiran ikatan Kerjasama dengan Penyedia Barang/Jasa.

12.5 Denda atau Sanksi dapat diabaikan dan/atau dihilangkan apabila keterlambatan atas suatu Pengadaan Barang atau Jasa yang dianggap oleh **ASET OPERATOR** dan/ atau **PLN TJB** adalah dikategorikan sebagai suatu "*Force Majeure*" sebagaimana ketentuan pada Pasal 16.

#### 13. TAHAPAN SURAT PEMBERITAHUAN, PERINGATAN, DAN PEMUTUSAN *PURCHASE ORDER/PO* KARENA WANPRESTASI



PT. KOMIPO PEMBANGKITAN JAWA BALI

PLTU TANJUNG JATI B #UNIT 3&4

PURCHASE ORDER

Doc. Ref : KPJB-0951-02

Form No. : KPJB-0951-02-ZZ-FM-05

Design Div. : Finance and Administration

Revision No. : 01



13.1 Peristiwa-peristiwa yang digolongkan sebagai Wanprestasi adalah:

- a. Peristiwa Wanprestasi yang mengakibatkan *Purchase Order*/PO berakhir tanpa melalui surat peringatan dari **ASET OPERATOR** terhadap Penyedia Barang/Jasa adalah sebagai berikut:
  - i. Penyedia Barang/Jasa terbukti melakukan tindak pidana antara lain adanya pemalsuan surat/dokumen, praktek korupsi, penyuapan, pemberian gratifikasi, persekongkolan, kecurangan dan pemalsuan yang berkaitan dengan proses pengadaan, *Purchase Order*/PO dan/atau pelaksanaan Pekerjaan.
  - ii. Penyedia Barang/Jasa terbukti melakukan pelanggaran atas peraturan internal **ASET OPERATOR** dan/atau **PLN TJB** terkait *fraud*.
  - iii. Berdasarkan putusan Pengadilan yang telah mempunyai kekuatan hukum tetap, Penyedia Barang/Jasa dinyatakan dalam keadaan pailit, pembubaran, likuidasi atau diberikan penundaan pembayaran hutang yang menyebabkan Penyedia Barang/Jasa tidak dapat melakukan kewajibannya berdasarkan *Purchase Order*/PO.
  - iv. Penyedia Barang/Jasa terbukti dikenakan Sanksi Daftar Hitam (*blacklist*) sebelum penandatanganan *Purchase Order*/PO.
  - v. Apabila Jaminan Penawaran dan/atau Jaminan Pelaksanaan yang diserahkan oleh Penyedia Barang/Jasa kepada **ASET OPERATOR** dan/atau **PLN TJB** selama jangka waktu *Purchase Order*/PO terbukti palsu/tidak benar.
  - vi. Setiap pernyataan yang dibuat oleh Penyedia Barang/Jasa di dalam *Purchase Order*/PO yang berkaitan dengan proses pengadaan *Purchase Order*/PO dan/atau pelaksanaan Pekerjaan terbukti tidak sah dan/atau tidak dilaksanakan oleh Penyedia Barang/Jasa.
- b. Peristiwa Wanprestasi yang mengakibatkan *Purchase Order*/PO berakhir melalui surat peringatan dari **ASET OPERATOR** terhadap Penyedia Barang/Jasa adalah sebagai berikut:
  - i. Penyedia Barang/Jasa mengalihkan Pekerjaan baik sebagian atau seluruhnya atau hak atau kewajiban yang diatur dalam *Purchase Order*/PO tanpa persetujuan tertulis dari **ASET OPERATOR**;
  - ii. Apabila denda yang diatur dalam *Purchase Order*/PO tidak dibayar oleh Penyedia Barang/Jasa kepada **ASET OPERATOR**.
  - iii. Apabila Penyedia Barang/Jasa tidak melakukan perpanjangan Jaminan Pelaksanaan sebagaimana diatur dalam *Purchase Order*/PO.
  - iv. Penyedia Barang/Jasa tidak memenuhi baik sebagian atau seluruh kewajiban sesuai ketentuan yang diatur dalam *Purchase Order*/PO.

13.2 Dalam hal terjadi Peristiwa Wanprestasi oleh Penyedia Barang/Jasa sebagaimana dimaksud Pasal 13 ayat 13.1 butir b Syarat Umum *Purchase Order*/PO, **ASET OPERATOR** berhak mengakhiri *Purchase Order*/PO dengan memberikan surat peringatan, dengan ketentuan sebagai berikut:

- a. Surat Pemberitahuan (*Notification Letter*): dikirimkan secara tertulis dan/atau melalui *Email* ke Penyedia Barang/Jasa maksimal 14 (empat belas) Hari Kalender sebelum jangka waktu pengiriman jatuh tempo yang tertera pada *Purchase Order*/PO.
- b. Surat Peringatan Resmi (*Official Warning Letter*): dikirimkan secara tertulis dan/atau melalui *Email* ke Penyedia Barang/Jasa yang mengalami keterlambatan pengiriman dengan ketentuan sebagai berikut:
  - i. Surat Peringatan Pertama (*Warning Letter 1*): 1- 10 hari setelah masa berlakunya *Purchase Order*/PO berakhir (*end date*), dan Penyedia Barang/Jasawajib merespon dalam waktu 10 hari setelah Surat Peringatan Pertama (*Warning Letter 1*) diterima.
  - ii. Surat Peringatan Kedua (*Warning Letter 2*): 21- 30 hari setelah masa berlakunya *Purchase Order*/PO berakhir (*end date*), dan Penyedia Barang/Jasawajib merespon dalam waktu 10 hari setelah Surat Peringatan Kedua (*Warning Letter 2*) diterima.
  - iii. *Warning Letter 3* (Surat Pengakhiran/Pemutusan (*Termination Letter*)): 51 hari setelah masa berlakunya *Purchase Order*/PO berakhir (*end date*).
- c. Surat Pengakhiran/Pemutusan (*Termination Letter*): dikirimkan secara tertulis dan/atau melalui *Email* ke Penyedia Barang/Jasa setelah 2 (dua) surat pada Pasal 13.2.a dan 13.2.b di atas dikirimkan dan tidak tercapainya kesepakatan antara Para Pihak dalam penyelesaian permasalahan yang dimaksud dalam jangka waktu masa berlakunya *Purchase Order*/PO, maka secara sepihak yaitu **ASET OPERATOR** atas persetujuan **PLN TJB**, akan membatalkan *Purchase Order*/PO dengan mengirimkan Surat Pemutusan (*Termination Letter*) kepada Penyedia Barang/Jasa.
- d. Apabila Penyedia Barang/Jasa tidak menyelesaikan pekerjaan serta tidak tercapainya kesepakatan antara Para Pihak dalam penyelesaian pekerjaan yang dimaksud dalam jangka waktu masa berlakunya *Purchase Order*/PO dalam waktu sebagaimana disebutkan pada Pasal 13 ayat 13.2 butir c, maka **ASET OPERATOR** berhak mencairkan Jaminan Pelaksanaan Penyedia Barang/Jasa pada periode berjalan, dan mengakhiri *Purchase Order*/PO secara sepihak.

13.3 Dalam hal Penyedia Barang/Jasa telah melakukan pemulihan atau perbaikan sebagaimana dimaksud pada bab ini, dan pemulihan atau perbaikan tersebut disetujui oleh **ASET OPERATOR** maka peringatan tertulis yang telah diterbitkan tersebut tidak akan diperhitungkan sebagai pemberian peringatan yang berkelanjutan atau tidak berlaku kumulatif pada pemberian peringatan berikutnya.

13.4 Atas setiap pengakhiran dari *Purchase Order*/PO, seluruh kewajiban-kewajiban masing-masing Pihak berdasarkan *Purchase Order*/PO wajib berhenti, kecuali:

- a. Sehubungan dengan kewajiban-kewajiban pembayaran yang ditimbulkan dari tindakan-tindakan yang diambil sebelum pengakhiran tersebut (termasuk namun tidak terbatas pada hak normatif Pekerja Penyedia Barang/Jasa);
- b. Sebagaimana ditentukan lain dalam *Purchase Order*/PO;
- c. Bahwa ketentuan terkait Jaminan Pelaksanaan akan tetap berlaku walaupun *Purchase Order*/PO telah diakhiri; dan/atau
- d. Pengakhiran tersebut tidak akan mengurangi setiap hak atas ganti rugi atau setiap perbaikan lainnya yang mungkin dimiliki oleh masing-masing pihak berdasarkan *Purchase Order*/PO.

13.5 Dalam hal terjadi Peristiwa Wanprestasi Penyedia Barang/Jasa, maka Penyedia Barang/Jasa akan dikenakan hukuman/denda sesuai ketentuan pada *Purchase Order*/PO.

13.6 **ASET OPERATOR** akan memberlakukan hukuman daftar hitam (*blacklist*) bagi setiap pengakhiran *Purchase Order*/PO yang disebabkan karena wanprestasi Penyedia Barang/Jasa sebagaimana diatur lebih lanjut dalam ketentuan yang berlaku pada **ASET OPERATOR**.

13.7 Terhadap pengakhiran *Purchase Order*/PO, Para Pihak sepakat untuk tidak memberlakukan ketentuan Pasal 1266 Kitab Undang-Undang Hukum Perdata.

13.8 Akibat-akibat Pemutusan *Purchase Order*/PO:

- a. **ASET OPERATOR** dan/atau **PLN TJB** dibebaskan dari segala tuntutan hutang-hutang Penyedia Barang/Jasa kepada pihak ketiga yang harus ditanggung oleh Penyedia Barang/Jasa;
- b. **ASET OPERATOR** dan Penyedia Barang/Jasa segera mengadakan pemeriksaan bersama yang dituangkan dalam Berita Acara Pemeriksaan Pekerjaan dan/atau *Good Receipt* (GR) dan/atau *Join Inspection* (JI) yang meliputi beberapa prestasi yang telah selesai dikerjakan oleh Penyedia Barang/Jasa. Apabila Penyedia Barang/Jasa tidak bersedia mengadakan pemeriksaan bersama, maka **ASET OPERATOR** akan mengadakan pemeriksaan terakhir dan hasilnya dianggap sebagai hasil pemeriksaan bersama;
- c. Penyedia Barang/Jasa hanya berhak mendapatkan pembayaran sesuai kemajuan pekerjaan yang telah dilaksanakan dan disetujui **ASET OPERATOR**. Peralatan dan bahan-bahan yang belum dipergunakan tidak termasuk dalam penilaian kemajuan pekerjaan;
- d. **ASET OPERATOR** akan mengambil alih pekerjaan untuk diselesaikan dengan *Purchase Order*/PO lain atau dengan cara lain;

#### 14. HARGA

14.1 Harga yang tercantum dalam *Purchase Order*/PO ini adalah tetap, tidak berubah dan mengikat.

14.2 Bagi Pengusaha Kena Pajak ("PKP") harga yang tercantum dalam *Purchase Order*/PO tidak termasuk PPN sesuai dengan peraturan yang berlaku. PPN harus dinyatakan terpisah dari harga barang(-barang) yang dipesan.

#### 15. JAMINAN PENAWARAN DAN JAMINAN PELAKSANAAN

Jaminan dipersyaratkan untuk Pengadaan sebagai berikut :



PT. KOMIPO PEMBANGKITAN JAWA BALI

PLTU TANJUNG JATI B #UNIT 3&4

PURCHASE ORDER

Doc. Ref : KPJB-0951-02

Form No. : KPJB-0951-02-ZZ-FM-05

Design Div. : Finance and Administration

Revision No. : 01



- 15.1 Jaminan Penawaran adalah bernilai minimal 1% (satu persen) maksimal 3% (Tiga persen) dari Total Nilai Perkiraan Sendiri (HPS) atau Surat Penawaran Harga dari Penyedia Barang/Jasa termasuk PPN sesuai dengan peraturan yang berlaku, untuk nilai Penawaran lebih besar dari Rp.500,000,000,- (lima ratus juta rupiah), sebagaimana ketentuan pada Pasal 2.2 .
- 15.2 Jaminan Pelaksanaan adalah bernilai minimal 5% (lima persen) dari Total Nilai pada *Purchase Order/PO* termasuk PPN sesuai dengan peraturan yang berlaku untuk nilai Pembelian lebih besar dari Rp.500,000,000,- (lima ratus juta rupiah), sebagaimana ketentuan pada Pasal 3.1.1 di atas. Dengan ketentuan masa berlaku Jaminan Pelaksanaan adalah sebagaimana ketentuan pada Pasal 3.1.4 ditambah sekurang-kurangnya 50 (Lima Puluh Hari) Hari Kalender.
- 15.3 Jaminan yang disertakan harus mengikuti persyaratan yang diminta oleh **ASET OPERATOR** dan/atau **PLN TJB** dengan ketentuan sebagai berikut :
  - 15.3.1 Mengikuti format yang sudah dibakukan oleh **ASET OPERATOR** dan/ atau **PLN TJB**.
  - 15.3.2 Menggunakan mata uang dalam "Rupiah", kecuali ada ketentuan dan persetujuan lain yang disepakati Para Pihak (Penyedia Barang/ Jasa dan ASET OPERATOR Procurement).
  - 15.3.3 Harus diterbitkan oleh Bank sesuai dengan Daftar Penyedia Jaminan Terseleksi (DPJT) PLN yang telah disetujui oleh **ASET OPERATOR** dan/atau **PLN TJB**.
- 15.4 Jaminan Pelaksanaan diserahkan kepada **ASET OPERATOR** maksimal 14 (empat belas) Hari Kalender setelah "**Surat Penunjukan Pemenang / Appointment of Awarded Supplier**" dikirimkan melalui surat tertulis dan/atau Surat Elektronik (Surel/ Email) oleh **ASET OPERATOR** kepada Penyedia Barang/Jasa, sebagaimana ketentuan pada Pasal 3.1.5.
- 15.5 Asli dari Jaminan akan dikembalikan ke Penyedia Barang/Jasa apabila semua kewajiban dari Penyedia Barang/Jasa telah dinyatakan selesai oleh **ASET OPERATOR** atas persetujuan **PLN TJB**.
- 15.6 Jaminan dapat dimungkinkan untuk diperpanjang masa berlakunya atas permintaan dari **ASET OPERATOR** dan/atau **PLN TJB** kepada Penyedia Barang/Jasa.

#### 16. FORCE MAJEURE

- 16.1 Peristiwa, kejadian atau keadaan berikut ini adalah *Force Majeure*: Kehendak Tuhan (*Act of God*) meliputi namun tidak terbatas pada gempa bumi, dari banjir, epidemi, kebakaran, perang, huru-hara, pemogokan dan/atau pemberlakuan peraturan pemerintah yang mengatur atau berhubungan dengan pelaksanaan/ pengiriman di dalam *Purchase Order/PO*.
- 16.2 Dalam hal terjadi suatu peristiwa, kejadian atau keadaan *Force Majeure*, Penyedia Barang/Jasa wajib memberitahukan secara tertulis dan/atau email dengan melampirkan bukti-bukti dari instansi yang berwenang kepada **ASET OPERATOR** selambat-lambatnya 3 (tiga) hari sejak terjadinya suatu peristiwa, kejadian atau keadaan *Force Majeure*.
- 16.3 Dalam hal pemberitahuan sebagaimana ketentuan Pasal 16.2 di atas terlampaui atau tidak dilaksanakan maka Para Pihak sepakat bahwa kejadian tersebut bukan merupakan keadaan *Force Majeure*.
- 16.4 Baik Penyedia Barang/Jasa maupun **ASET OPERATOR** dan **PLN TJB** dibebaskan dari setiap dan semua tanggung jawab yang timbul sebagai akibat terjadinya suatu peristiwa, kejadian atau keadaan *Force Majeure*.

#### 17. TUNTUTAN DARI PIHAK KETIGA

Penyedia Barang/Jasa harus membebaskan dan melindungi **ASET OPERATOR** dan **PLN TJB** dari segala tuntutan dari pihak ketiga yang timbul atau akan timbul sehubungan dengan *Purchase Order/PO*.

#### 18. GARANSI (Apabila Dipersyaratkan di dalam *Purchase Order/PO*)

Penyedia Barang/Jasa menjamin ke **ASET OPERATOR** dan/ atau **PLN TJB**, bahwa barang-barang yang dikirim sesuai dengan spesifikasi yang disepakati sebagaimana ketentuan pada Pasal 2.3.8. Barang tidak cacat atau rusak material atau teknis, baru (bukan barang bekas pakai) dan digaransi oleh Pabrik dan/atau Penyedia Barang/Jasa. Garansi harus berlaku selama jangka waktu 18 (delapan belas) bulan sejak tanggal pengiriman barang atau 12 (dua belas) bulan sejak tanggal pemasangan atau operasi awal atas barang ("**Masa Garansi**"). Apapun yang terjadi terlebih dahulu dalam Masa Garansi, ditemukan kerusakan atau cacatan barang, **ASET OPERATOR** berkewajiban untuk memberitahukan secara tertulis dan/atau melalui email atas hal tersebut kepada Penyedia Barang/Jasa. Dan dalam waktu 3 x 24 jam setelah diterimanya pemberitahuan tersebut, Penyedia Barang/Jasa wajib memperbaiki barang yang cacat atau rusak tersebut, dan apabila barang tidak bisa diperbaiki dalam jangka waktu paling lambat 30 (tiga puluh) Hari Kalender, maka Penyedia Barang/Jasa harus mengganti barang yang rusak tersebut dengan barang baru dengan kualitas dan spesifikasi yang sama tanpa ada penambahan biaya apapun dari **ASET OPERATOR**.

#### 19. TAGIHAN

Untuk melakukan penagihan, Penyedia Barang/Jasa harus memenuhi syarat-syarat penagihan dengan melengkapi dokumen-dokumen antara lain sebagai berikut:

- 19.1 Surat Permohonan Pembayaran: 1 (satu) rangkap Asli
- 19.2 Kwitansi : 3 (tiga) rangkap, 1 (satu) rangkap bermeterai cukup dan 2 (dua) rangkap lainnya tanpa meterai .
- 19.3 Invoice : 3 (tiga) rangkap, 1 (satu) rangkap bermeterai cukup dan 2 (dua) rangkap lainnya tanpa meterai.
- 19.4 Faktur Pajak : 2 (dua) rangkap.
- 19.5 Berita Acara Penyelesaian Pekerjaan (BAPK) dan/atau *Goods Receipt* dan/atau *Joint Inspection* : 1 (satu) rangkap Asli.
- 19.6 Berita Acara Serah Terima (BAST) barang/jasa/pekerjaan dan/atau *Minutes Of Verification* (MOV): 1 (satu) rangkap Asli.
- 19.7 NPWP dan SPPKP : 1 (satu) rangkap *Copy*.
- 19.8 Sertifikat Asal Barang dan/atau Sertifikat Manufaktur: 1 (satu) asli dan/atau 1 (satu) *Copy* (Apabila dipersyaratkan pada *Purchase Order/PO*).
- 19.9 Surat Jaminan/Garansi yang menyatakan masa garansi barang adalah 18 (delapan belas) bulan sejak pengiriman atau 12 (dua belas) bulan sejak instalasi : 1 (satu) asli dan 2 (dua) *Copy* (Apabila dipersyaratkan pada *Purchase Order/PO*).
- 19.10 Jaminan Pelaksanaan dan Surat Konfirmasi keabsahan Jaminan Pelaksanaan : 1 (satu) rangkap *Copy* (Apabila dipersyaratkan pada *Purchase Order/PO*).
- 19.11 SIUP/NIB dan SIUJK : 1 (satu) rangkap *Copy* (Apabila ada atau apabila dipersyaratkan pada *Purchase Order/PO*)
- 19.12 Syarat-syarat lain yang belum tercantum sebagaimana poin-poin diatas namun dipersyaratkan khusus pada *Purchase Order /PO* wajib dipenuhi oleh Penyedia Barang/Jasa.

(Persyaratan penagihan terlampir di lampiran " Tata Cara Penagihan")

#### 20. PEMBAYARAN

Kecuali ditentukan lain dalam *Purchase Order/PO* :

- 20.1 Pembayaran akan dilakukan pada 45 (empat puluh lima) Hari Kalender setelah barang/ Jasa dinyatakan diterima dengan Bukti Asli *Goods Receipt/ Completion Work*, dan dokumen-dokumen penagihan telah diterima dengan baik, lengkap dan benar.
- 20.2 Pembayaran akan dilakukan melalui bank transfer.

#### 21. LAIN - LAIN

- 21.1 Syarat-syarat umum ini berlaku sah dan mengikat, kecuali ada ketentuan lain yang tertera pada *Purchase Order/PO*.
- 21.2 Bilamana **ASET OPERATOR** serta Penyedia Barang/Jasa menandatangani kesepakatan tambahan sebagai satu kesatuan dari *Purchase Order/PO* dan ternyata menimbulkan pertentangan dengan klausul-klausul di dalam *Purchase Order/PO* maka **ASET OPERATOR** dan Penyedia Barang/Jasa sepakat akan selalu menafsirkan dengan cara memilih, mematuhi dan menerapkan klausul yang lebih menguntungkan **ASET OPERATOR** semata.



PT. KOMIPO PEMBANGKITAN JAWA BALI

PLTU TANJUNG JATI B #UNIT 3&4

PURCHASE ORDER

Doc. Ref : KPJB-0951-02

Form No. : KPJB-0951-02-ZZ-FM-05

Design Div. : Finance and Administration

Revision No. : 01



- 21.3 **ASET OPERATOR** dan/atau **PLN TJB**, setiap saat memiliki hak eksklusif untuk melakukan evaluasi berkaitan dengan kinerja, kepatuhan atau hasil pelaksanaan kewajiban oleh Penyedia Barang/Jasa, dimana hasil evaluasi tersebut akan disampaikan kepada Penyedia Barang/Jasa dalam bentuk pernyataan tertulis.
- 21.4 Evaluasi tersebut dilakukan dalam rangka menjamin keberlangsungan PLTU Tanjung Jati B Jepara sehingga hasil evaluasi sebagaimana dimaksud menjadi dasar bagi **ASET OPERATOR** dan/atau **PLN TJB** untuk mengkaji ulang status serta jangka waktu *Purchase Order/PO* dan/atau penentuan status Penyedia Barang/Jasa dalam Daftar Hitam Penyedia Barang/Jasa **ASET OPERATOR** dan/atau **PLN TJB**.
- 21.5 *Purchase Order/PO* dibuat, diatur dan ditafsirkan sesuai dengan hukum Negara Republik Indonesia.
- 21.6 Jika terjadi perselisihan yang tidak mendapatkan solusi maka **ASET OPERATOR** dan Penyedia Barang/Jasa sepakat untuk dapat melakukan pengakhiran *Purchase Order/PO* dan tidak memberlakukan ketentuan Pasal 1266 Kitab Undang-undang Hukum Perdata.
- 21.7 Syarat-syarat dan kondisi ini dibuat dalam Bahasa Indonesia dan Bahasa Inggris. Dalam hal adanya inkonsistensi atau penafsiran yang berbeda antara versi Bahasa Indonesia dan versi Bahasa Inggris, versi Bahasa Indonesia dari Syarat-syarat dan kondisi ini akan berlaku dan versi Bahasa Inggris harus dianggap secara otomatis diubah (perubahan mana berlaku sejak tanggal ditandatanganinya versi bilingual ini) untuk menjadikan bagian yang relevan dari versi Bahasa Inggris sesuai dengan bagian yang relevan dari versi Bahasa Indonesia.
- 21.8 **ASET OPERATOR** berhak melakukan Audit di Waktu tertentu kepada rekanan Penyedia Barang/Jasa, Proses pengaudit dilakukan oleh **ASET OPERATOR** didampingi tim Auditor yang ditunjuk **ASET OPERATOR**.

#### **KETENTUAN MENYANGKUT LINGKUNGAN, KESEHATAN, DAN KESELAMATAN KERJA**

##### **1. STANDART KESELAMATAN UNTUK BAHAN BAHAN YANG BERACUN**

- 1.1 Penyedia Barang/Jasa harus memberikan daftar data keselamatan material - material (MSDS) untuk seluruh *chemical*, pelumas, lem, cairan, pembersih dan bahan bahan lainnya yang berpotensi beracun yang rekanan akan gunakan dalam pelaksanaan pekerjaan.
- 1.2 Penyedia Barang/Jasa harus mengikuti syarat - syarat untuk penyimpanan, penanganan dan pembuangan material termasuk syarat - syarat untuk Peralatan Perlindungan Personal dan peralatan Pernafasan (RPE) yang ditentukan oleh **ASET OPERATOR**.
- 1.3 Setiap Material yang mengandung zat - zat yang berpotensi beracun yang ada di *Site* yang tidak sesuai dengan persyaratan MSDS dan belum disetujui oleh **ASET OPERATOR**, harus segera dihilangkan atau dipindahkan dari *site* oleh Penyedia Barang/Jasa sampai persetujuan tersebut diperoleh.

##### **2. PURCHASE REQUISITION JASA/SERVICE**

- 2.1 Dokumen Analisa Kerja Aman (*Job Safety Analysis / JSA*) atau dokumen identifikasi bahaya lainnya yang terkait dengan Jasa.
- 2.2 Prosedur kerja aman / instruksi kerja dan/atau dokumen EHS lainnya yang terkait dengan Jasa.
- 2.3 Surat keterangan sehat dari dokter untuk personel yang terkait dengan jasa.
- 2.4 Foto *copy* Sertifikat kompetensi untuk personel yang terkait dengan jasa.
- 2.5 Foto *copy* surat Kelayakan atas Peralatan Angkat dan Angkut yang masih "**VALID**" yang terkait dengan Jasa.
- 2.6 Foto *copy* Surat Keterangan Catatan Kepolisian (SKCK) dan kartu identitas (Kartu Tanda Penduduk/KTP atau Paspor) masih berlaku untuk lampiran Formulir *Request ID Card*.
- 2.7 Foto *copy* Surat Ijin Mengemudi (SIM) yang masih berlaku untuk pengemudi mobil perusahaan untuk lampiran formulir "*Vehicle Gate Pass Request*".
- 2.8 Foto *copy* surat KIR yang masih berlaku untuk kendaraan operasional kategori tertentu untuk lampiran formulir "*Vehicle Gate Pass Request*".
- 2.9 Surat pernyataan dari Manajemen perusahaan bahwa akan mematuhi peraturan perundangan terkait dengan Lingkungan dan
- 2.10 Keselamatan, Kesehatan Kerja (LK3), salah satunya seperti berikut :
  - 2.10.1 Menyediakan Alat Pelindung Diri (APD) untuk seluruh karyawan yang standard dan sesuai
  - 2.10.2 Bertanggung jawab atas limbah/sampah yang dihasilkan oleh pekerjaan jasa tersebut serta selalu menjaga kerapian dan kebersihan area kerja.
  - 2.10.3 Membuat "Surat Pernyataan" bahwa perusahaan tidak mencemari lingkungan
  - 2.10.4 Melampirkan Sertifikat ISO 14001 dan Sertifikat PROPER yang dimiliki (apabila dipersyaratkan dalam RFQ & *Purchase Order/PO*)

##### **3. PURCHASE REQUISITION BARANG**

Menyediakan dokumen yang terkait dengan persyaratan Lingkungan, Keselamatan dan Kesehatan Kerja (LK3), seperti:

- 3.1 Lembar Data Keselamatan Bahan / LDKB (*Material Safety Data Sheet/MSDS*) untuk Bahan Beracun dan Berbahaya (B3), seperti: bahan kimia/resin/oli/grease/dll.
- 3.2 Petunjuk Pengoperasian secara aman (*Safety Operating Manual*) untuk peralatan/mesin/alat kerja/ dll.
- 3.3 Persyaratan penyimpanan serta penanganan secara manual.
- 3.4 Atau dokumen lainnya yang terkait dengan persyaratan dan perundangan Lingkungan, Keselamatan & Kesehatan Kerja (LK3).

##### **4. KETENTUAN MENYANGKUT KETENAGA KERJAAN**

Berikut persyaratan dari HRD yaitu sebagai berikut :

- 4.1 *Copy* sertifikat kepesertaan perusahaan di BPJS Ketenagakerjaan.
- 4.2 *Copy* kartu kepesertaan BPJS Ketenagakerjaan dari setiap karyawan yang dipekerjakan.
- 4.3 Ijin Operasional dari Disnaker Propinsi Jawa Tengah Cq. Disnaker Jepara Untuk pekerjaan yang di alih-daya kan (*Outsource*).
- 4.4 Surat Pemberitahuan ke Disnaker Jepara untuk pekerjaan jasa pemborongan.
- 4.5 *Copy* Perjanjian kerja antara perusahaan dengan masing-masing karyawan.

**DAFTAR PENERBIT JAMINAN TERSELEKSI  
PENGADAAN BARANG/JASA DI LINGKUNGAN PT PLN (PERSERO)**

KLASIFIKASI	BATASAN NILAI KONTRAK	PENERBIT JAMINAN	BERLAKU SAMPAI DENGAN
I	TDAK ADA BATASAN NILAI KONTRAK	PT Bank Central Asia Tbk	30 Oktober 2028
		PT Bank Danamon Indonesia Tbk	30 Oktober 2028
		PT Bank Syariah Indonesia Tbk	30 Oktober 2028
		PT Bank Permata Tbk	30 Oktober 2028
		PT Bank SMBC Indonesia Tbk	30 Oktober 2028
		PT Bank OCBC NISP Tbk	30 Oktober 2028
		PT Bank UOB Indonesia	30 Oktober 2028
		PT Bank Rakyat Indonesia (Persero) Tbk	02 November 2028
		PT Bank Tabungan Negara (Persero) Tbk	12 Januari 2029
		PT Bank Mandiri (Persero) Tbk	26 Januari 2029
		PT Bank Negara Indonesia (Persero) Tbk	26 Januari 2029
II	NILAI KONTRAK ≤ Rp1 TRILIUN	Bank HSBC Indonesia	12 Januari 2029
		Lembaga Pembiayaan Ekspor Indonesia	13 Januari 2029
		PT Bank Maybank Indonesia Tbk	26 Januari 2029
III	NILAI KONTRAK ≤ Rp150 MILIAR	PT Bank ICBC Indonesia	30 Oktober 2028
		Bank Of China (Hongkong) Cabang Jakarta	30 Oktober 2028
		MUFG Bank Ltd Cabang Jakarta	30 Oktober 2028
		PT Bank KEB Hana Indonesia	12 Januari 2029

Jakarta, Januari 2026  
PT PLN (PERSERO)  
DIREKTUR KEUANGAN



SINTHYA ROESLY

## 1. BANK GARANSI - JAMINAN PENAWARAN

### BANK GUARANTEE BID BOND

\_\_\_\_\_ [number]  
\_\_\_\_\_ [places & dated]

To:

PT PLN (Persero)

\_\_\_\_\_ [address]

PT \_\_\_\_\_ [name of Guarantor], having its registered office at \_\_\_\_\_ [address] (hereinafter referred to as the “**Guarantor**”), hereby unconditionally and irrevocably issues this guarantee in favour of \_\_\_\_\_ [name of applicant] having its registered office at \_\_\_\_\_ [address] (hereinafter refer as the “**Principal**”), for the favour of **PT PLN (Persero)** having its registered office at \_\_\_\_\_ (hereinafter refer as the “**Beneficiary**”), for the payment of an amount not exceeding \_\_\_\_\_ (in words: \_\_\_\_\_), in the event that the Principal has failed to fulfill its obligations in accordance with the condition stated in the Bid Document \_\_\_\_\_ no \_\_\_\_\_ date \_\_\_\_\_ [Bid Document] (“**Bid Document**”) for the Project of \_\_\_\_\_ [name of Project]. This guarantee also covers the Principal’s failure to extend the validity period of this Bank Guarantee in accordance with the provisions of the Bid Document and/or as requested by the Beneficiary.

This Bank Guarantee is issued with the following provisions:

1. This Bank Guarantee shall be effective on and as of the date of \_\_\_\_\_ until \_\_\_\_\_ (“**Expiry Date**”).

### BANK GARANSI JAMINAN PENAWARAN

\_\_\_\_\_ [nomor]  
\_\_\_\_\_ [tempat & tanggal]

Kepada:

PT PLN (Persero)

\_\_\_\_\_ [alamat]

PT \_\_\_\_\_ [nama Penerbit Jaminan] berkedudukan di \_\_\_\_\_ [alamat], (selanjutnya disebut “**Penerbit Jaminan**”), dengan ini secara tanpa syarat dan tidak dapat ditarik kembali (*irrevocably*) memberikan jaminan kepada \_\_\_\_\_ [nama Penyedia Barang/Jasa] yang beralamat di \_\_\_\_\_ (selanjutnya disebut “**Pihak Terjamin**”), untuk dan demi kepentingan PT PLN (Persero) yang beralamat di \_\_\_\_\_ (untuk selanjutnya disebut sebagai “**Penerima Jaminan**”), atas pembayaran sejumlah uang sebesar maksimum \_\_\_\_\_ (terbilang: \_\_\_\_\_), apabila Pihak Terjamin melakukan wanprestasi dan/atau gagal untuk memenuhi kewajibannya sebagaimana dinyatakan dalam Dokumen Penawaran \_\_\_\_\_ nomor \_\_\_\_\_ tanggal \_\_\_\_\_ [Dokumen Penawaran] (“**Dokumen Penawaran**”) untuk \_\_\_\_\_ [nama proyek]. Jaminan ini juga mencakup kegagalan Pihak Terjamin dalam memperpanjang masa berlaku Bank Garansi ini sesuai dengan ketentuan dalam Dokumen Penawaran dan/atau permintaan dari Penerima Jaminan.

Bank Garansi ini diterbitkan dengan ketentuan-ketentuan sebagai berikut:

1. Bank Garansi ini berlaku efektif sejak tanggal \_\_\_\_\_ dan akan berakhir pada tanggal \_\_\_\_\_ (“**Tanggal Jatuh Tempo**”).

- |  |  |
|--|--|
| <p>2. Claim Payment shall be made without requiring the consent of the Principal and shall be affected upon the Beneficiary's submission of a Claim Payment Demand Letter to the Guarantor, stating that the Principal has committed a breach and/or failed to fulfill its obligations. The Beneficiary shall include in such submission the amount claimed and enclose the original Bank Guarantee document together with the said demand letter. In the event that the Bank Guarantee document has been amended or modified, the Beneficiary may submit only the latest version of such amendment or modification.</p> | <p>2. Pembayaran Klaim dilakukan tanpa memerlukan persetujuan Pihak Terjamin, dan dilaksanakan setelah Penerima Jaminan menyampaikan Surat Pengajuan Pembayaran Klaim kepada Penerbit Jaminan yang menyatakan bahwa Pihak Terjamin telah melakukan tindakan wanprestasi/gagal memenuhi kewajibannya. Dalam pengajuan tersebut, Penerima Jaminan wajib mencantumkan jumlah pembayaran yang diminta untuk dibayarkan serta melampirkan dokumen asli Bank Garansi bersama dengan surat pengajuan dimaksud. Dalam hal terdapat perubahan atau amandemen terhadap dokumen Bank Garansi, Penerima Jaminan dapat melampirkan hanya dokumen perubahan atau amandemen terakhir.</p> |
| <p>3. The Claim Payment Request Letter submitted by the Beneficiary may be delivered either in physical form bearing a wet signature or in digital form bearing an electronic signature, in accordance with the applicable laws and regulations.</p>   | <p>3. Surat Pengajuan Pembayaran Klaim yang disampaikan oleh Penerima Jaminan dapat disampaikan dalam bentuk fisik yang ditandatangani secara manual (tanda tangan basah) maupun dalam bentuk digital yang ditandatangani secara elektronik sesuai dengan ketentuan peraturan perundang-undangan yang berlaku.</p>   |
| <p>4. The Claim Payment Request must be submitted no later than within fourteen (14) Business Days from the Expiry Date of the Bank Guarantee. In the event that such Expiry Date falls on a Public Holiday, the calculation of the fourteen (14) Business Days shall commence on the first Business Day following the said Public Holiday.</p>  | <p>4. Permohonan Pembayaran Klaim harus diajukan paling lambat dalam jangka waktu 14 (empat belas) Hari Kerja terhitung sejak tanggal jatuh tempo Bank Garansi. Apabila tanggal jatuh tempo tersebut bertepatan dengan Hari Libur, maka perhitungan jangka waktu 14 (empat belas) Hari Kerja dimulai sejak Hari Kerja pertama setelah Hari Libur dimaksud.</p>   |
| <p>5. The Claim Payment Demand Letter from the Beneficiary must be submitted in the Indonesian language and may be addressed to the Guarantor's head office or any of its branch offices.</p>  | <p>5. Surat Pengajuan Pembayaran Klaim dari Penerima Jaminan harus disampaikan dalam Bahasa Indonesia dan dapat ditujukan ke kantor pusat atau kantor cabang manapun milik Penerbit Jaminan.</p>   |
| <p>6. The Guarantor shall be obligated to make payment to the Beneficiary for the amount referred to above promptly and no later than</p>  | <p>6. Penerbit Jaminan berkewajiban untuk melakukan pembayaran kepada Penerima Jaminan atas jumlah yang dimaksud di</p>  |

fifteen (15) Calendar Days from the date of the Claim Payment Demand Letter submitted by the Beneficiary.

7. The Claim Payment shall be **final and unconditional**, and must be fulfilled notwithstanding any claims, objections, or requests made by the Principal or any other party.
8. The Claim Payment shall be made to the bank account designated by the Beneficiary in the Claim Payment Demand Letter, in full and without any deductions, and free and clear of any taxes, levies, charges, or other withholdings whether currently applicable or imposed in the future. Such bank account may be held with a bank other than the Guarantor's bank.
9. The Guarantor shall be obligated to submit written evidence of the Claim Payment to the Beneficiary no later than one (1) Business Day following the execution of the Claim Payment, in the form of a copy of the transfer receipt or a valid payment instruction issued by the executing bank.
10. The Bank Guarantee shall terminate upon the occurrence of any of the following events, whichever occurs first:
  - a. On Expiry Date;
  - b. When there is no remaining amount payable under the Bank Guarantee; or
  - c. When the Beneficiary expressly releases the Guarantor in writing from all obligations arising under this Bank Guarantee.
11. The Beneficiary shall be entitled to make a demand for Claim Payment for an amount less than the total amount stated in the Bank Guarantee (partial demand), and may also

atas, segera dan selambat-lambatnya dalam jangka waktu 15 (lima belas) Hari Kalender terhitung sejak tanggal Surat Pengajuan Pembayaran Klaim yang diajukan oleh Penerima Jaminan.

7. Pembayaran Klaim adalah bersifat **final dan tanpa syarat (*unconditional*)**, serta tetap wajib dilaksanakan meskipun terdapat tuntutan, keberatan, atau permohonan dari Pihak Terjamin maupun dari pihak lain manapun.
8. Pembayaran Klaim dilakukan ke rekening bank yang ditetapkan oleh Penerima Jaminan pada Surat Pengajuan Pembayaran Klaim, secara penuh dan tanpa potongan, serta bebas dari segala bentuk pajak, pungutan, biaya, atau pemotongan lainnya baik yang berlaku saat ini maupun di kemudian hari. Rekening bank dimaksud dapat berada pada bank yang berbeda dengan Penerbit Jaminan.
9. Penerbit Jaminan wajib menyampaikan bukti Pembayaran Klaim secara tertulis kepada Penerima Jaminan paling lambat 1 (satu) Hari Kerja setelah pelaksanaan Pembayaran Klaim, berupa salinan bukti transfer atau instruksi pembayaran yang sah dari Bank Pelaksana.
10. Bank Garansi akan berakhir pada saat terjadi salah satu dari keadaan berikut, manapun yang terjadi lebih dahulu:
  - a. Pada Tanggal Jatuh Tempo;
  - b. Apabila tidak terdapat lagi sisa nilai yang dapat dibayarkan berdasarkan Bank Garansi; atau
  - c. Apabila Penerima Jaminan secara tertulis membebaskan Penerbit Jaminan dari seluruh kewajiban yang timbul berdasarkan Bank Garansi ini.
11. Penerima Jaminan berhak mengajukan Pembayaran Klaim dengan nilai yang lebih rendah dari nilai nominal yang tercantum dalam Bank Garansi (*partial demand*),

submit more than one Claim Payment demand (multiple demand).

12. This Bank Guarantee is non-transferable and/or cannot be transferred to another party.

13. This Bank Guarantee cannot be amended, revoked, terminated, or cancelled unless such action has been approved by Beneficiary in written consent or as expressly required by the Beneficiary to the Principal.

14. Any and all expenses arising from the issuance of this Bank Guarantee, including those associated with any extension and/or amendment thereof (if applicable), shall be the sole responsibility of the Principal.

15. With reference to Article 1832 of Indonesian Civil Code (Kitab Undang-Undang Hukum Perdata), the Guarantor hereby relinquish/waives its privileges/rights granted by law to claim/demand on asset belonging to the Principal and/or bound as collateral be confiscated, seized or sold in advance for the discharge of Principal debts as stipulated under Article 1831 of Indonesian Civil Code.

16. This Bank Guarantee shall be governed by and construed in accordance with laws and regulations applicable in Indonesia.

17. In relation to the enforcement of this Bank Guarantee and all legal consequences arising therefrom, the Guarantor hereby elects the Court of \_\_\_\_\_ [*domicile of court*] as general and permanent domicile.

18. Any term in this Bank Guarantee that begins with a capital letter shall have the meaning assigned to it under the Cooperation

maupun mengajukan lebih dari satu kali permintaan Pembayaran Klaim (*multiple demand*).

12. Bank Garansi ini tidak dapat dipindahtangankan dan/atau dijaminan kepada pihak lain (*non-transferable*).

13. Bank Garansi ini tidak dapat diubah, dicabut, diakhiri, ataupun dibatalkan kecuali jika hal tersebut disetujui oleh Penerima Jaminan melalui persetujuan tertulis atau secara tegas dimintakan oleh Penerima Jaminan kepada Pihak Terjamin.

14. Seluruh biaya yang timbul sehubungan dengan penerbitan Bank Garansi ini, termasuk biaya yang berkaitan dengan perpanjangan dan/atau perubahan atas Bank Garansi (jika ada), sepenuhnya menjadi tanggung jawab Pihak Terjamin.

15. Dengan mengacu pada Pasal 1832 Kitab Undang-Undang Hukum Perdata, Penerbit Jaminan dengan ini melepaskan hak-hak istimewanya yang diberikan oleh undang-undang sebagaimana dimaksud dalam Pasal 1831 Kitab Undang-Undang Hukum Perdata untuk menuntut supaya benda-benda milik Pihak Terjamin dan/atau yang diikat sebagai jaminan lebih dahulu disita dan dijual untuk melunasi hutang Pihak Terjamin.

16. Bank Garansi ini diatur oleh dan ditafsirkan berdasarkan peraturan perundang-undangan yang berlaku di Negara Republik Indonesia.

17. Untuk tujuan Bank Garansi ini dan segala akibat hukumnya, Penerbit Jaminan memilih domisili yang tetap di Kantor Panitera Pengadilan Negeri \_\_\_\_\_ [*domisili pengadilan*].

18. Seluruh istilah dalam Bank Garansi ini yang ditulis dengan diawali huruf kapital memiliki pengertian sebagaimana

Agreement between the Beneficiary and the Guarantor concerning the Issuance of Guarantees for the Procurement of Goods/Services within PT PLN (Persero).

ditetapkan dalam Perjanjian Kerja Sama antara Penerima Jaminan dan Penerbit Jaminan perihal Penerbitan Jaminan Pengadaan Barang/Jasa di Lingkungan PT PLN (Persero).

19. This Bank Guarantee is made in both the Indonesian and English languages. The two versions of this Bank Guarantee shall not be construed as separate documents and, when executed together, shall be deemed one and the same instrument. In the event of any conflict or inconsistency between the English version and the Indonesian version of this Bank Guarantee, the Indonesian version shall prevail.

19. Bank Garansi ini dibuat dalam Bahasa Indonesia dan Bahasa Inggris. Dua versi dari Bank Garansi ini tidak dapat ditafsirkan sebagai dokumen terpisah, dan ketika ditandatangani bersama, harus dianggap satu dan merupakan instrumen yang sama. Dalam hal terdapat konflik atau ketidaksesuaian antara versi Bahasa Inggris dan versi Bahasa Indonesia atas Bank Garansi ini, maka versi Bahasa Indonesia akan berlaku.

Accordingly, this Bank Guarantee is issued by the Guarantor on \_\_\_\_\_ to be used as appropriate in accordance with the purpose of its issuance.

Demikian Bank Garansi ini diterbitkan oleh Penerbit Jaminan pada tanggal \_\_\_\_\_ untuk digunakan sebagaimana mestinya sesuai dengan tujuan penerbitannya.

\_\_\_\_\_ [place/tempat], \_\_\_\_\_ [dated/tanggal]

PT \_\_\_\_\_ [name of Guarantor/nama Penerbit Jaminan]

[Guarantor Stamp/Stempel Penerbit Jaminan]

\_\_\_\_\_ [authorized signatory/tandatangan pejabat yang berwenang]

Lampiran Point 3, Hasil Pembahasan

KATEGORI SERTIFIKAT

No	Sertifikat Original	Sertifikat Elektronik (harus bisa di-trace)	Independent Lab Test
1	Tanda tangan, cap, atau label asli yang jelas dari penerbit dokumen	Barcode	Copy/ original
2	Ditulis, diketik, dicap oleh tangan penerbit dokumen, atau menyatakan bahwa itu asli	Digital sign	
3	Tanda tangan asli (basah), dengan cap/stempel perusahaan " <i>printed</i> "	Signature electronic/ digital sign	
4	Tanda tangan " <i>printed</i> ", dengan cap/stempel perusahaan asli (basah)	Tanda Tangan print, stamp print, ada link tracing	
5	Tanda tangan " <i>printed</i> ", stamp " <i>printed</i> ", cap/stempel perusahaan original asli (basah)		
6	Tanda tangan asli, stamp asli, tapi ada redaksi sertifikat copy (duplciate, triplicate dst)		
7	Tanda tangan dengan stamp basah dan perforated (lubang-lubang kecil) nomer seri		
8	Tanda tangan asli		