



Public Notice

U4POB The Reconditioned of Cylinder System for Main Steam Turbine

1. Scope of Supply

Procurement of U4POB The Reconditioned of Cylinder System for Main Steam Turbine.

2. Bidding Type

- Domestic open bidding to select the lowest priced suppliers and evaluated by total price and or if failed will be evaluated base by each item.
- The quotation shall be submitted in one sealed envelope containing both the priced and unpriced proposals.

3. Requirement for Qualification of Bidder

- It is mentioned in document of Request for Quotation No. K19292 with subject U4POB The Reconditioned of Cylinder System for Main Steam Turbine in attachment 3.

4. Aanwijzing will be held :

Topic: Aanwijzing ITB No. K19292 for U4POB The Reconditioned of Cylinder System for Main Steam Turbine

Time: Nov 7, 2025 10:00 AM Jakarta

Join Zoom Meeting

<https://us06web.zoom.us/j/86939257376?pwd=oM4OsnVeawrOLa8WuMjuhM9cEUAYAe.1>

Meeting ID: 869 3925 7376

Passcode: 716232

5. Bid Closing Date and Time: 11.00 WIB **November 20, 2025**

6. Invitation to Bid (ITB) and Additional Information

- Invitation to Bid (ITB) document copy or soft file is available in website PT. KPJB (www.kpjb.co.id); or
- Email : procurement@kpjb.co.id or mohammad.azka@kpjb.co.id

7. Bid submission

To : **Mohammad Azka (PIC RFQ No. K19493)**

Finance & Administration Division

PT. Komipo Pembangkitan Jawa Bali (KPJB)

PLTU Tanjung Jati B Unit 3 & 4,


Desa Tubanan, Kecamatan Kembang,

Kabupaten Jepara, Jawa Tengah, Indonesia 59453

Tel : 0291-427-0491, Fax : 0291-427-0601


8. Procedure for Submission Bid Document

- Document shall be submitted in a sealed envelope by registered mail or direct submission after KPJB security's check not later than the bid closing date and time.
- Document title shall be marked in the envelope as **“Maintenance of Road Sweeper 2025 (1 Year Contract)”**

	PT. KOMIPO PEMBANGKITAN JAWA BALI	Doc. Ref	: KPJB-0951-02
	PLTU TANJUNG JATI B #UNIT 3&4	Form No.	: KPJB-0951-02-ZZ-FM-03
	REQUEST FOR QUOTATION	Design Div.	: Finance and Administration
		Revision No.	: 00

Date	RFQ No:	PRF No:
November 04, 2025	K19292	K19292
SUBJECT : U4POB The Reconditioned of Cylinder System for Main Steam Turbine		

KPJB on behalf of PT. PLN hereby request your quotation for material/services below :

No	Item Code	Description	Quantity		Remark
			Qty	Unit	
As per the attachment					
<ul style="list-style-type: none"> The quotation shall be submitted in one sealed envelope containing both the priced and unpriced proposals, addressed to the Procurement Team, F&A Division, PT KPJB. The original documents must be received by KPJB no later than 11:00 WIB on <u>20 NOV 2025</u>, either by registered mail or by direct submission after completing security clearance and registration at PLTU Tanjung Jati B. Aanwijzing will be held in KPJB on <u>10.00 07 NOV 2025</u>. Validity of Quotation price should be minimum 3 months. Prices and detailed information should be specified about the materials and services in the quotation by strictly following the quotation form attached hereto. Payment will be made by Telegraphic Transfer (T/T) within forty five (45) days after invoice received, attached with delivery or work completion report (Invoice, Good receive form, MOV, BAPP, etc.) issued by PT. KPJB. Delivery time: not later than April 01, 2026. Certificate should be submitted at the delivery time : Performance Test Report, Final report should comprise of the test result and documentation. Warranty : 1 year after installation or maximum 1 year after delivery from supplier. Delivery should be completed to PT. KPJB's warehouse, PLTU Tanjung Jati B Unit #3&4. Warranty letter that state "The material is genuine, no defect, new and can be used properly" should be submitted at the time of delivery. All documents and communications shall be in English. All terms and conditions of this contract must be subject to and governed by PT. KPJB's Terms and Conditions for Contract attached hereto. In case of hazardous material, Material Safety Data Sheets (MSDS) and other related document for hazardous material shall be submitted at the time of delivery. For hand powered tools / powered tools: must be attached with tools certificate from manufacturer. For chemicals: All material delivery must be completed with symbol & label as required on regulation in every containers/other packaging. For service: All personnel must have appropriate certification as required on local HSE Regulation. 					
Sincerely Yours,					
 Hendang Suroso F&A. Manager					
Date					

Attachment :


1. Material list
2. Quotation format
3. Unprice document required
4. Pakta Integritas Form
5. Surat Pernyataan Keaslian Dokumen Form
6. KPJB Contractor Safety Rules
7. PT. KPJB's General Terms and Conditions for Contract
8. Term of Reference
9. Drawing

	PT. KOMIPO PEMBANGKITAN JAWA BALI	Doc. Ref	: KPJB-0951-02
	PLTU TANJUNG JATI B #UNIT 3&4	Form No.	: KPJB-0951-02-ZZ-FM-03
	REQUEST FOR QUOTATION	Design Div.	: Finance and Administration
		Revision No.	: 00

Attachment 1: RFQ No. K19292

MATERIAL LIST

Item No	Item Code	Description	Quantity	
			Order	Unit
1	223977/	CYLINDER ASSEMBLY, HYDRAULIC CYLINDER, MAIN STOP VALVE, CXE1MF3/280/125/.170F20/G8GAKSLU-D900872, SN 1005	1,00	SET
2	223980/	CYLINDER ASSEMBLY, HYDRAULIC CYLINDER, CONTROL VALVE, CXE1MF3/140/60/.220F20/G6GAKSLU-D900873, SN 1019	1,00	SET
3	223981/	CYLINDER ASSEMBLY, HYDRAULIC CYLINDER, CONTROL VALVE, CXE1MF3/140/60/.220F20/G6GAKSLU-D900873, SN 1018	1,00	SET
4	223982/	CYLINDER ASSEMBLY, HYDRAULIC CYLINDER, CONTROL VALVE, CXE1MF3/140/60/.220F20/G6GAKSLU-D900873, SN 1002	1,00	SET
5	223983/	CYLINDER ASSEMBLY, HYDRAULIC CYLINDER, CONTROL VALVE, CXE1MF3/140/60/.220F20/G6GAKSLU-D900873, SN 1001	1,00	SET
6	223989/	CYLINDER ASSEMBLY, HYDRAULIC CYLINDER, REHEAT STOP VALVE, CXE1MF3/240/90/.255F20/G8GAKSLU-D900874, SN 1005	1,00	SET
7	223993/	CYLINDER ASSEMBLY, HYDRAULIC CYLINDER, INTERCEPT VALVE, CGE1MF3/200/90/.220F20/G8GASSLU-D900875, SN 1007	1,00	SET

	PT. KOMIPO PEMBANGKITAN JAWA BALI	Doc. Ref	: KPJB-0951-02
	PLTU TANJUNG JATI B #UNIT 3&4	Form No.	: KPJB-0951-02-ZZ-FM-03
	REQUEST FOR QUOTATION	Design Div.	: Finance and Administration
		Revision No.	: 00

Attachment 2: RFQ No. K19292

Quotation format

A. Price Quotation

<COMPANY LOGO>

Quotation


No:

Item No	Item Code	Description	Quantity		Price (IDR)	
			Order	Unit	Unit Price	Total
1	223977/	CYLINDER ASSEMBLY, HYDRAULIC CYLINDER, MAIN STOP VALVE, CXE1MF3/280/125/.170F20/G8GAKSLU-D900872, SN 1005	1,00	SET		
2	223980/	CYLINDER ASSEMBLY, HYDRAULIC CYLINDER, CONTROL VALVE, CXE1MF3/140/60/.220F20/G6GAKSLU-D900873, SN 1019	1,00	SET		
3	223981/	CYLINDER ASSEMBLY, HYDRAULIC CYLINDER, CONTROL VALVE, CXE1MF3/140/60/.220F20/G6GAKSLU-D900873, SN 1018	1,00	SET		
4	223982/	CYLINDER ASSEMBLY, HYDRAULIC CYLINDER, CONTROL VALVE, CXE1MF3/140/60/.220F20/G6GAKSLU-D900873, SN 1002	1,00	SET		
5	223983/	CYLINDER ASSEMBLY, HYDRAULIC CYLINDER, CONTROL VALVE, CXE1MF3/140/60/.220F20/G6GAKSLU-D900873, SN 1001	1,00	SET		
6	223989/	CYLINDER ASSEMBLY, HYDRAULIC CYLINDER, REHEAT STOP VALVE, CXE1MF3/240/90/.255F20/G8GAKSLU-D900874, SN 1005	1,00	SET		
7	223993/	CYLINDER ASSEMBLY, HYDRAULIC CYLINDER, INTERCEPT VALVE, CGE1MF3/200/90/.220F20/G8GASSLU-D900875, SN 1007	1,00	SET		
		TOTAL				
		VAT				
		GRAND TOTAL				

Term and Conditions:

1. The above price are included delivery cost to warehouse of PT. KPJB
2. Please mention Certificate is required at the delivery time
3. Payment will be made by Telegraphic Transfer (T/T) within forty five (45) days after invoice received, attached with delivery or work completion report issued by PT.KPJB.
4. Please mention Bank Account that will be use for payment (including Bank Name, Bank Address)
5. Please mention Name of Director

Place, [Month] [Date] [Year]
SIGN & COMPANY STAMP
DUTY STAMP / MATERAI (10000)
Name
(Title)

	PT. KOMIPO PEMBANGKITAN JAWA BALI	Doc. Ref	: KPJB-0951-02
	PLTU TANJUNG JATI B #UNIT 3&4	Form No.	: KPJB-0951-02-ZZ-FM-03
	REQUEST FOR QUOTATION	Design Div.	: Finance and Administration
		Revision No.	: 00

B. Unpriced Quotation

<COMPANY LOGO>

Quotation

No:

Item No	Item Code	Description	Quantity		Delivery Time
			Order	Unit	
1	223977/	CYLINDER ASSEMBLY, HYDRAULIC CYLINDER, MAIN STOP VALVE, CXE1MF3/280/125/.170F20/G8GAKSLU-D900872, SN 1005	1,00	SET	Not later than April 01, 2026.
2	223980/	CYLINDER ASSEMBLY, HYDRAULIC CYLINDER, CONTROL VALVE, CXE1MF3/140/60/.220F20/G6GAKSLU-D900873, SN 1019	1,00	SET	
3	223981/	CYLINDER ASSEMBLY, HYDRAULIC CYLINDER, CONTROL VALVE, CXE1MF3/140/60/.220F20/G6GAKSLU-D900873, SN 1018	1,00	SET	
4	223982/	CYLINDER ASSEMBLY, HYDRAULIC CYLINDER, CONTROL VALVE, CXE1MF3/140/60/.220F20/G6GAKSLU-D900873, SN 1002	1,00	SET	
5	223983/	CYLINDER ASSEMBLY, HYDRAULIC CYLINDER, CONTROL VALVE, CXE1MF3/140/60/.220F20/G6GAKSLU-D900873, SN 1001	1,00	SET	
6	223989/	CYLINDER ASSEMBLY, HYDRAULIC CYLINDER, REHEAT STOP VALVE, CXE1MF3/240/90/.255F20/G8GAKSLU-D900874, SN 1005	1,00	SET	
7	223993/	CYLINDER ASSEMBLY, HYDRAULIC CYLINDER, INTERCEPT VALVE, CGE1MF3/200/90/.220F20/G8GASSLU-D900875, SN 1007	1,00	SET	

Term and Conditions:

1. The above price are included delivery cost to warehouse of PT. KPJB
2. Please mention Certificate is required at the delivery time
3. Payment will be made by Telegraphic Transfer (T/T) within forty five (45) days after invoice received, attached with delivery or work completion report issued by PT.KPJB.
4. Please mention Bank Account that will be use for payment (including Bank Name, Bank Address)
5. Please mention Name of Director

Place, [Month] [Date] [Year]
SIGN & COMPANY STAMP

Name
(Title)


	PT. KOMIPO PEMBANGKITAN JAWA BALI	Doc. Ref	: KPJB-0951-02
	PLTU TANJUNG JATI B #UNIT 3&4	Form No.	: KPJB-0951-02-ZZ-FM-03
	REQUEST FOR QUOTATION	Design Div.	: Finance and Administration
		Revision No.	: 00

Attachment 3: RFQ No. K19292

Unprice Document Required

No.	Syarat Administrasi (Administration Requirement)
A.	
1	Asli Surat Penawaran (Original Unprice quotation) yang: <ol style="list-style-type: none"> 1. Description sesuai permintaan 2. Bertanggal (dated) 3. Bertanda tangan dan Cap Perusahaan (Company stamped) 4. Menyebutkan waktu pengiriman sampai gudang sesuai permintaan (Time Delivery)
2	Pengalaman Pekerjaan dengan total harga kontrak senilai minimal IDR 1.145.000.000 – menyerahkan copy kontrak atau PO (Work Experience for contract amount minimum IDR 1.145.000.000 – submitting the copy of the contract or PO)
3	Copy pembayaran pajak SSP (PPN) 3 bulan terakhir periode: Jun, Jul, Agu 2025 (Copy of last 3 month payment tax or period of: Jun, Jul, Aug 2025)
4	Original Pakta Integritas
5	Surat Pernyataan Keaslian Dokumen
6	Vendor participant must have registered CSMS Certificate (minimum : Low Risk Level) issued by PT. PLN (Persero) - submitting the copy of the document
7	Original Bid bond 1% up to 3% from price quotation (including VAT) with the validity until 20 FEB 2026 - Bid bond should be issued by Bank based on DPJT list and format issued by PLN - Beneficiary of Bid bond to: PT. Perusahaan Listrik Negara (Persero) UIK Tanjung Jati B Desa Tubanan, Kecamatan Kembang, Jepara Jaminan Penawaran asli 1% sampai dengan 3% dari Penawaran Harga (termasuk PPN) dengan validitas sampai dengan 20 FEB 2026
8	Copy of financial report audited by public accountant minimum year of 2024. Fotokopi laporan keuangan teraudit oleh Kantor Akuntan Publik minimum tahun 2024
9	Copy of SPT Tahunan year of 2024
10	Rexroth as an OEM (Original Equipment Manufacturer) or a third party with an official partnership and license with the Cylinder repair company that has experience OR Third Party or its cylinder repair company has experience in the repair/ service of cylinders with the same type and capacity (as mentioned in Equipment specification) which is installed at Steam Power Plant (minimum 660MW capacity). This experience must be proven by a copy of the Purchase Order
B.	
1	Copy Surat Ijin Usaha Perusahaan – SIUP / BKPM (PMA) (copy of Business License)
2	Copy Surat Ijin Tempat Usaha – SITU / DOMISILI / HO (Copy of Domicile Certificate)
3	Copy Nomor Pokok Wajib Pajak - NPWP (Copy Tax ID number of company)
4	Copy Surat Pengukuhan Perusahaan Kena Pajak - SPPKP (Copy of Taxable Company Certificate)
5	Copy Tanda Daftar Perusahaan – TDP / NIB (Copy of Certificate Company Registration)
6	Copy Akte pendirian perusahaan/perubahan *jika ada (Deed of Incorporation)

Note: Administration Requirement point B 1-6 is not required to be submitted if your company already registered in our SAP and the Company data submitted still valid until closing time. If any document not submitted by the suppliers or the submitted document do not meet the requirement, we will regard that the supplier fails and we will not open the price quotation document (price evaluation)

	PT. KOMPIO PEMBANGKITAN JAWA BALI	Doc. Ref	: KPJB-0951-02
	PLTU TANJUNG JATI B #UNIT 3&4	Form No.	: KPJB-0951-02-ZZ-FM-03
	REQUEST FOR QUOTATION	Design Div.	: Finance and Administration
		Revision No.	: 00

Catatan: Syarat Administrasi no. B 1-6 tidak perlu di kirimkan jika perusahaan anda sudah terdaftar di SAP kami dan data yang dahulu di kirimkan masih berlaku sampai dengan waktu penutupan bidding. Jika ada dokumen yang tidak diserahkan atau dokumen yang diserahkan tidak sesuai dengan persyaratan, kami akan menganggap bahwa supplier gagal dan kami tidak akan membuka dokumen penawaran harga (evaluasi harga).

	PT. KOMIPO PEMBANGKITAN JAWA BALI	Doc. Ref	: KPJB-0951-02
	PLTU TANJUNG JATI B #UNIT 3&4	Form No.	: KPJB-0951-02-ZZ-FM-03
	REQUEST FOR QUOTATION	Design Div.	: Finance and Administration
		Revision No.	: 00

Attachment 4: RFQ No. K19292

(KOP PERUSAHAAN/BADAN/LEMBAGA)

PAKTA INTEGRITAS

Saya yang bertanda tangan di bawah ini, dalam rangka Pengadaan (diisi *Nama Pengadaan*) dengan nomor (diisi *nomor RFQ/PR*), pada satuan kerja PT KPJB yang dalam hal ini mewakili PT PLN (Persero) Unit Induk Pembangkitan Tanjung Jati B Jepara dengan ini menyatakan bahwa saya:

1. Akan mentaati peraturan tentang Pedoman Pengadaan Barang/Jasa di Lingkungan PT KPJB dan PT PLN (Persero), dan peraturan perundang-undangan yang terkait dengan pengadaan;
2. Tidak akan melakukan persengkokolan/pengaturan/kerjasama diantara para Peserta Pengadaan/Jasa lain dan/atau Pengguna Barang/Jasa dan/atau Pelaksana Pengadaan yang dapat mengakibatkan terjadinya persaingan usaha tidak sehat;
3. Mendukung prinsip **4 NO's** yang dijunjung tinggi oleh PT KPJB dan PT PLN (Persero) yaitu:
 - a. **No Bribery** (tidak boleh ada suap menyuap dan pemerasan)
 - b. **No Kickback** (tidak boleh ada komisi, tanda terimakasih baik dalam bentuk uang dan dalam bentuk lainnya);
 - c. **No Gift** (tidak boleh ada hadiah atau gratifikasi yang bertentangan dengan peraturan
 - d. **No Luxurious Hospitality** (tidak boleh ada penyambutan dan jamuan yang berlebihan).
4. Tidak akan melakukan komunikasi yang mengarah dan/atau melakukan praktek Korupsi, Kolusi dan Nepotisme (KKN)
5. Akan melakukan proses pengadaan secara bersih dan transparan agar menghasilkan pekerjaan sesuai ketentuan peraturan perundang-undangan yang berlaku.

Apabila saya melanggar hal-hal yangtelah saya nyatakan dalam Pakta Integritas ini, saya bersedia dikenakan sanksi sesuai dengan ketentuan peraturan perundang-undangan yang berlaku.

_____ [Tempat], _____ [Tanggal]

[Tanda Tangan & Cap Perusahaan & Materai 10.000]

_____ [Nama Jelas]

_____ [Jabatan]

	PT. KOMIPO PEMBANGKITAN JAWA BALI	Doc. Ref	: KPJB-0951-02
	PLTU TANJUNG JATI B #UNIT 3&4	Form No.	: KPJB-0951-02-ZZ-FM-03
	REQUEST FOR QUOTATION	Design Div.	: Finance and Administration
		Revision No.	: 00

Attachment 5: RFQ No. K19292

(KOP PERUSAHAAN/BADAN/LEMBAGA)

SURAT PERNYATAAN KEASLIAN DOKUMEN

Yang bertanda tangan di bawah ini :

Nama :

Jabatan :

Alamat :

Sehubungan dengan pekerjaan :

Judul Pekerjaan :

RFQ No. :


Menyatakan dengan sesungguhnya bahwa segala dokumen yang kami sampaikan adalah benar dan apabila dikemudian hari ditemukan bahwa dokumen – dokumen yang telah kami sampaikan tidak benar dan ada pemalsuan, maka kami bersedia dikenakan sanksi sesuai peraturan perundang – undangan yang berlaku.

_____ [Tempat], _____ [Tanggal]

[Tanda Tangan & Cap Perusahaan & Materai 10.000]

_____ [Nama Jelas]

_____ [Jabatan]

	PT. KOMIPO PEMBANGKITAN JAWA BALI PLTU TANJUNG JATI B UNIT 3&4	Doc. Ref	: KPJB-0951-02
		Form No.	: KPJB-0951-02-ZZ-FM-16
	TERM OF REFERENCE	Design Div.	: Finance and Administration
		Revision No.	: 00

1. Subject

U4PO2026 Energy Cylinder System of Major Steam Valve

2. Subject

Steam (Major) Valves Actuator repair for installation of existing cylinder in every Planned Outage

3. Spare Part Data

3.1. System : Main Steam (MS)

3.2. Equipment

Name : Main Stop Valve (MS-HV010A/B)
Type : CXE1MF3/280/125/.170F20/G8GAKSLU-D900872
Drawing : 2KT115930

Name : Control Valve (MS-HV011/12/13/14)
Type : CXE1MF3/140/60.220F20/G6GAKSLU-D900873
Drawing : 2KT115931

Name : Reheat Stop Valve (HRH-HV021A/B)
Type : CXE1MF3/240/90//.255F20/G8GAKSLU-D900874
Drawing : 2KT115932

Name : Intercept Valve (HRH-HV022A/B)
Type : CGE1MF3/200/90/.220F20/G8GASSLU-D900875
Drawing : 2KT115933

3.3. Spare Part Group :

- Overhaul
- PM & PdM
- Run to Failure
- Strategic Parts
- Strategic Equipment


3.4. Usage Plan :

For Planned Outage Unit #4 Class B 2026

3.5. Description :

Item to be purchased :

No	Item ID	Equipment	Description	Qty	Unit
1	223977	MSV-B	CYLINDER ASSEMBLY, HYDRAULIC CYLINDER, MAIN STOP VALVE, CXE1MF3/280/125/.170F20/G8GAKSLU-D900872, SN 1005	1	set
2	223980	CV	CYLINDER ASSEMBLY, HYDRAULIC CYLINDER, CONTROL VALVE, CXE1MF3/140/60/.220F20/G6GAKSLU-D900873, SN 1019	1	set
3	223981	CV	CYLINDER ASSEMBLY, HYDRAULIC CYLINDER, CONTROL VALVE, CXE1MF3/140/60/.220F20/G6GAKSLU-D900873, SN 1018	1	set
4	223982	CV	CYLINDER ASSEMBLY, HYDRAULIC CYLINDER, CONTROL VALVE, CXE1MF3/140/60/.220F20/G6GAKSLU-D900873, SN 1002	1	set

	PT. KOMIPO PEMBANGKITAN JAWA BALI PLTU TANJUNG JATI B UNIT 3&4	Doc. Ref	: KPJB-0951-02
		Form No.	: KPJB-0951-02-ZZ-FM-16
	TERM OF REFERENCE	Design Div.	: Finance and Administration
		Revision No.	: 00

No	Item ID	Equipment	Description	Qty	Unit
5	223983	CV	CYLINDER ASSEMBLY, HYDRAULIC CYLINDER, CONTROL VALVE, CXE1MF3/140/60/.220F20/G6GAKSLU-D900873, SN 1001	1	set
6	223989	RSV-B	CYLINDER ASSEMBLY, HYDRAULIC CYLINDER, REHEAT STOP VALVE, CXE1MF3/240/90/.255F20/G8GAKSLU-D900874, SN 1005	1	set
7	223993	ICV-B	CYLINDER ASSEMBLY, HYDRAULIC CYLINDER, INTERCEPT VALVE, CGE1MF3/200/90/.220F20/G8GASSLU-D900875, SN 1007	1	set


Note: All the above cylinders have a service history at an authorized manufacturer

4. Work Scope


- 4.1. Work scope including test report, painting, packaging, mobilization from & to KPJB – repair/ service facility and insurance
- 4.2. There will be **no additional** workscope, all possible work has been included in the table below, so the vendor only needs to offer the price per set for each cylinder by considering what scope of work is potentially additional work, without the need for additional POs or amendments

4.3. Work scope details :

Assembly	Valve	Type	P/N	Qty/ cylinder	Work scope
Actuator set	MSV; CV; RSV; ICV	- -		SET	Performance test (refer to Point. 7.2; Mobilization from and to TJB U34; Packaging, Re-painting
Hydraulic Cylinder	MSV	CXE1MF3/2 80/125...	R901070 518	-	Inspect, Replace seal
	CV	CXE1MF3/1 40/60...	R901070 514	-	
	RSV	CXE1MF3/2 40/90/...	R901070 521	-	
	ICV	CGE1MF3/2 00/90/...	R901070 524	-	
Cylinder Housing	MSV; CV; RSV; ICV			1	Replace/ Repair (Honing)/ Modify (if needed)
Spring	MSV; CV; RSV; ICV			1	Inspect, Magnetic Test, Reassembly with rust inhibitor
Cylinder Rod	MSV; CV; RSV; ICV			1	Replace/ Repair (Re- chrome) (if needed)
Pressure filter (25µm)	MSV	DFP060QB2 5BMI...	R900058 865	1	Replace component
	CV	DFP060QB2 5BMI...	R900058 865	1	

	PT. KOMIPO PEMBANGKITAN JAWA BALI PLTU TANJUNG JATI B UNIT 3&4	Doc. Ref	: KPJB-0951-02
		Form No.	: KPJB-0951-02-ZZ-FM-16
	TERM OF REFERENCE	Design Div.	: Finance and Administration
		Revision No.	: 00

	RSV	DFP060QB2 5BMI...	R900058 865	1	
	ICV	DFP060QB2 5BMI...	R900058 865	1	
Pressure filter (10µm)	MSV	DFPBH/HCO 60QB10BMI ...	R900058 864	1	Replace component
	CV	DFPBH/HCO 60QB10BMI ...	R900058 864	1	
	RSV	DFPBH/HCO 60QB10BMI ...	R900058 864	1	
	ICV	DFPBH/HCO 60QB10BMI ...	R900058 864	1	
Servo directional valve	MSV	4WS2EM10 -5X 90B11T315 K31CV-114	R900711 077	1	Individual test
	CV	4WS2EM10 -5X 60B11T315 K31CV-114	R900772 317	1	
	RSV	4WS2EM10 -5X 90B11T315 K31CV-114	R900711 077	1	
	ICV	4WS2EM10 -5X 60B11T315 K31CV-114	R900772 317	1	
Logic cartridge valve	MSV	LC 63 A40E7X/V	R900727 900	2	Replace or repair (if needed)
	CV	LC 40 A40E7X/V	R900960 596	2	
	RSV	LC 63 A40E7X/V	R900727 900	2	
	ICV	LC 63 A40E7X/V	R900727 900	2	
Logic cartridge valve	MSV	LC 25 A05E7X/V	R900941 241	2	Replace or repair (if needed)
	CV	LC 16 A05E7X/V	R900928 456	2	
	RSV	LC 25 A05E7X/V	R900941 241	2	
	ICV	LC 25 A05E7X/V	R900941 241	2	
Logic cover	MSV	LFA 25 D- 7X/FV	R900930 724	2	Replace or repair (if needed)
	CV	LFA 16 D- 7X/FV	R900942 750	2	
	RSV	LFA 25 D- 7X/FV	R900930 724	2	
	ICV	LFA 25 D- 7X/FV	R900930 724	2	

	PT. KOMIPO PEMBANGKITAN JAWA BALI PLTU TANJUNG JATI B UNIT 3&4	Doc. Ref	: KPJB-0951-02
		Form No.	: KPJB-0951-02-ZZ-FM-16
	TERM OF REFERENCE	Design Div.	: Finance and Administration
		Revision No.	: 00


Hy-check valve	MSV	M-SR 8 KE05-1X/V	R900357 718	2	Replace or repair (if needed)
	CV	M-SR 8 KE05-1X/V	R900357 718	2	
	RSV	M-SR 8 KE05-1X/V	R900357 718	2	
	ICV	M-SR 8 KE05-1X/V	R900357 718	2	
Poppet direct valve direct operated	MSV	M-3SEW 6 C3X/ 420MG25 N9Z2/ B08V SO214	R900212 093	2	Replace; repair (if needed) and test
	CV	M-3SEW 6 C3X/420MG 25 N9Z2/B08V SO214	R900212 093	2	
	RSV	M-3SEW 6 C3X/ 420MG25 N9Z2/ B08V SO214	R900212 093	2	
	ICV	M-3SEW 6 C3X/ 420MG25 N9Z2/ B08V SO214	R900212 093	2	
Manifold	MSV; CV; RSV; ICV			1	Inspect and replace the seal
Piston Head	MSV; CV; RSV; ICV			1	Replace/ Repair/ Modify (if needed)
Upper cover and lower cover	MSV; CV; RSV; ICV			1	Replace/ Repair/ Modify (if needed)

5. CSMS Risk Level

- Low
- Moderate
- High
- Very High
- Extreme

6. Bidder Qualification

- 6.1 Rexroth as an OEM (Original Equipment Manufacturer) or a third party with an official partnership and license with the Cylinder repair company that has experience, **OR**
- 6.2 Third Party or its cylinder repair company has experience in the repair/ service of cylinders with the same type and capacity (as mentioned in Equipment specification) which is installed at Steam Power Plant (minimum 660MW capacity). This experience must be proven by a copy of the Purchase Order
- 6.3 Vendor should have CSMS (Contractor Safety Management System) from PLN

	PT. KOMIPO PEMBANGKITAN JAWA BALI PLTU TANJUNG JATI B UNIT 3&4	Doc. Ref	: KPJB-0951-02
		Form No.	: KPJB-0951-02-ZZ-FM-16
	TERM OF REFERENCE	Design Div.	: Finance and Administration
		Revision No.	: 00

7. Delivery of material and/ or services

7.1. Required date is 1 April 2026

7.2. Pick up and the delivery point is KPJB's Warehouse, PLTU Tanjung Jati B Unit 3&4, Jebara, Central Java

8. Requirement of Documents

Within delivery of the materials, the supplier should submit documents as follow:

8.1. Performance test report

8.2. Copy of PO proven has experience (point no. 4.2)

8.3. The final report should comprise of the above test result and documentation

9. Technical Specification

9.1. All of the technical specifications should be comply with the determined specification, have no defect, and can be used properly

9.2. Test Requirements

9.2.1 Test medium: Quintolubric Fire Resistant Hydraulic Oil (equivalent to Quacker® Quintolubric 888-46)

9.2.2 Minimum properties measured during function test:

- Pressure test point at M1&M3 (refer to attachment 2 for each actuator circuit diagram)
- Switching signal (step signal 0-10VDC)
- LVDT – actuator position (analog 0-10VDC)

9.2.3 The conducted test result should be able to provide the required information on the test report sample in attachment 3

9.2.4 Function test should be conducted at 165 bar with a minimum supply flow of 100 ltr/min). Also, the graphic for the following test should be included in the final report:

- Extend and retract
- Drift time
- Trip time (for PVT 1&2, PVT 1 only, and PVT2 only)

9.3. Replaced parts (including old seals) should be delivered back to KPJB upon actuator delivery (for evidence)

9.4. In the case, PT KPJB declines the delivered material, the supplier should replace the material. If the supplier can't replace it, they will be penalized in accordance with the General Term & Condition (GTC) of the PO

10. Acceptance Criteria


10.1. Delivery time has complied

10.2. All delivered materials are in accordance with PO requirements, specifications, and conditions of the TOR

10.3. All of the required documents are fulfilled

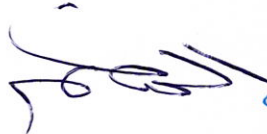


11. Standard of Quality

Quality of the material and/or services should comply with the standard, code, manufacturer specification, and user's requirement

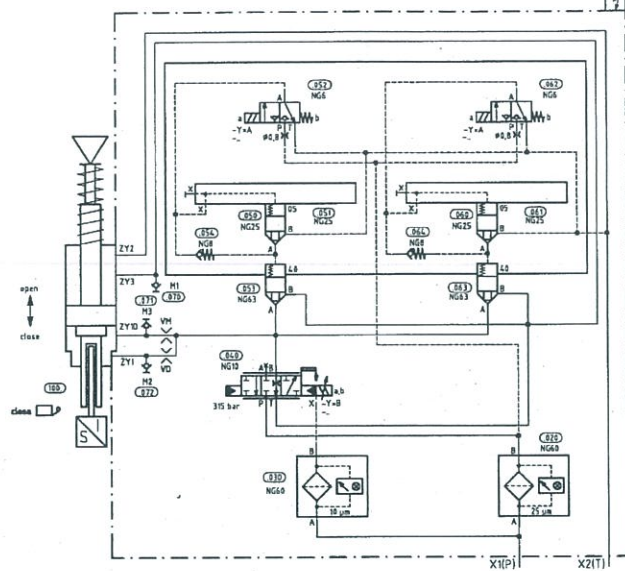
	PT. KOMIPO PEMBANGKITAN JAWA BALI PLTU TANJUNG JATI B UNIT 3&4	Doc. Ref	: KPJB-0951-02
		Form No.	: KPJB-0951-02-ZZ-FM-16
	TERM OF REFERENCE	Design Div.	: Finance and Administration
		Revision No.	: 00

12. Warranty

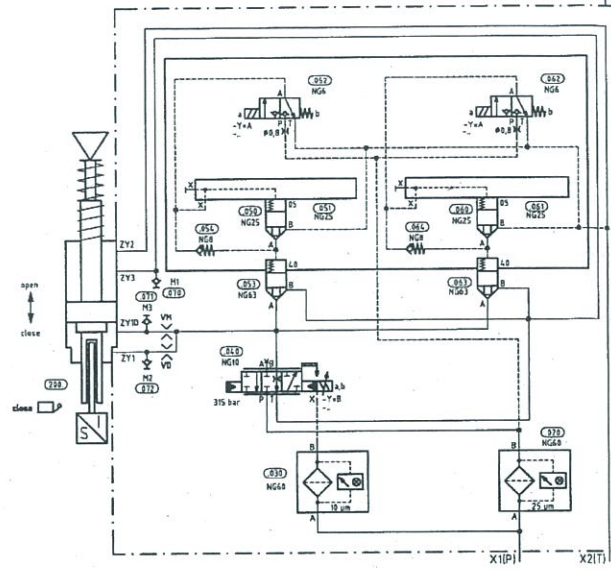
The warranty period is 12 months after equipment installation or a maximum 1 year after a delivery period if the Equipment is not installed

Prepared by	Checked by	Approved by
		
<u>Andhi Pradana</u> Staff	<u>Agus Widodo</u> Turbine Leader	<u>Lim Hyung Chul</u> Mechanical Manager
Date :	Date : 10/3/2025	Date : 11/3/25

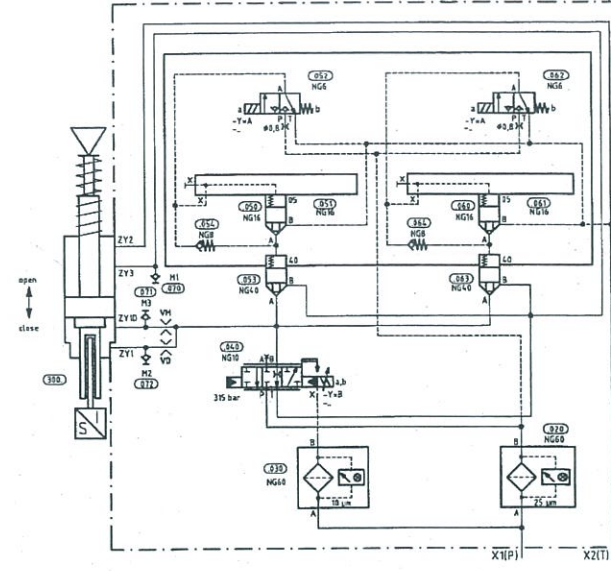
MAIN STOP VALVE 1 (MSV A)
CXEIF3/280/125/110F20/GGAKSLU-D900872



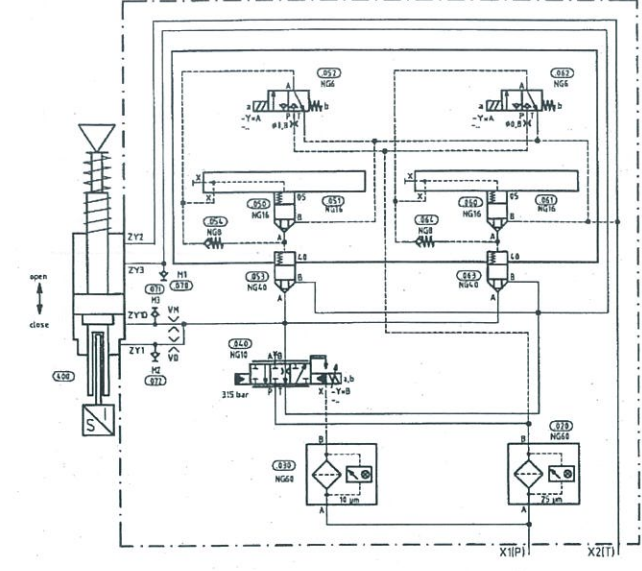
MAIN STOP VALVE 2 (MSV B)
CXEIF3/280/125/110F20/GGAKSLU-D900872



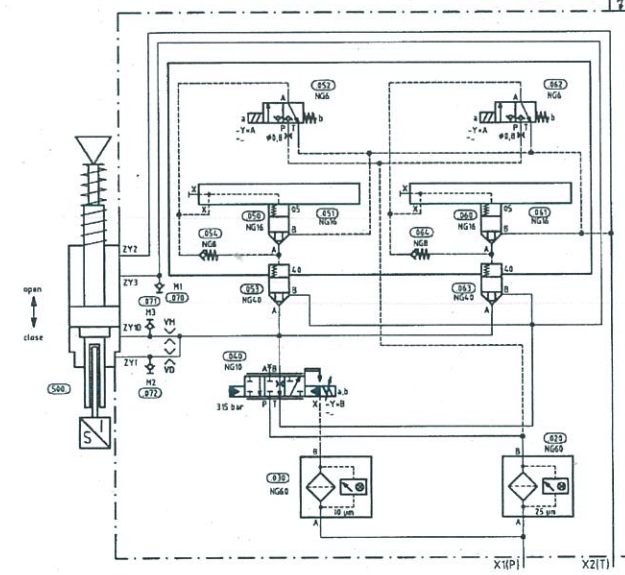
CONTROL VALVE 1 (CV 1)
CXEIF3/140/60/220F20/GGAKSLU-D900873



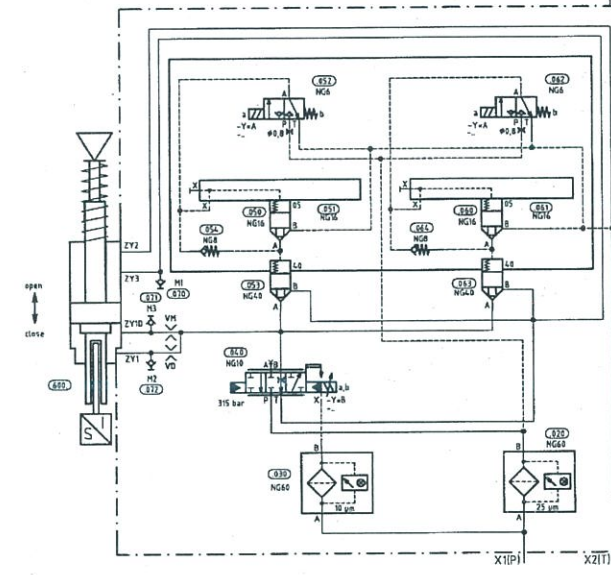
CONTROL VALVE 2 (CV 2)
CXEIF3/140/60/220F20/GGAKSLU-D900873



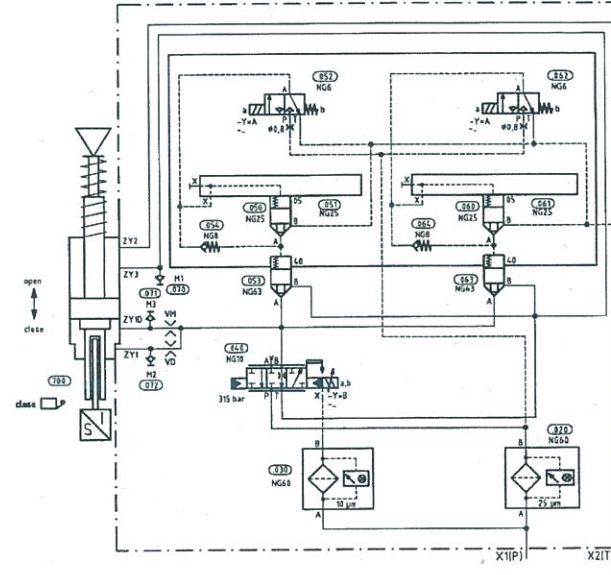
CONTROL VALVE 3 (CV 3)
CXEIF3/140/60/220F20/GGAKSLU-D900873



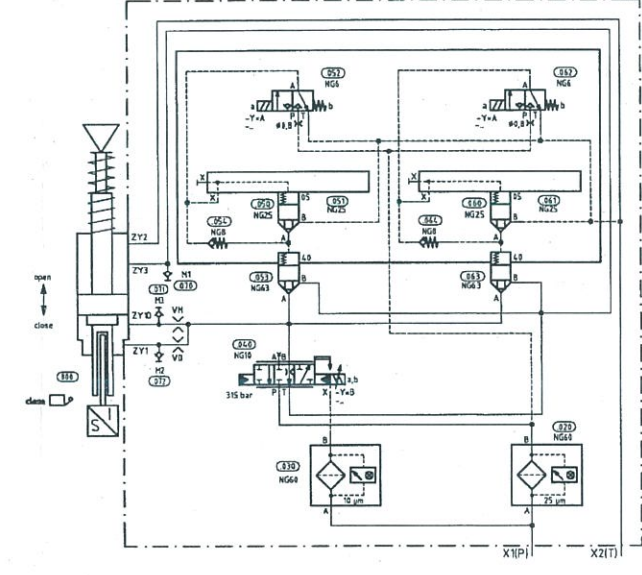
CONTROL VALVE 4 (CV 4)
CXEIF3/140/60/220F20/GGAKSLU-D900873



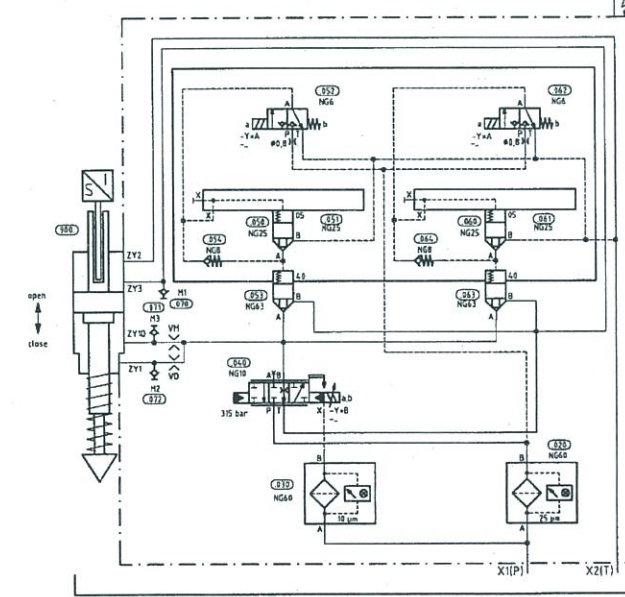
REHEAT STOP VALVE 1 (RSV A)
CXEIF3/240/90/255F20/GGAKSLU-D900874



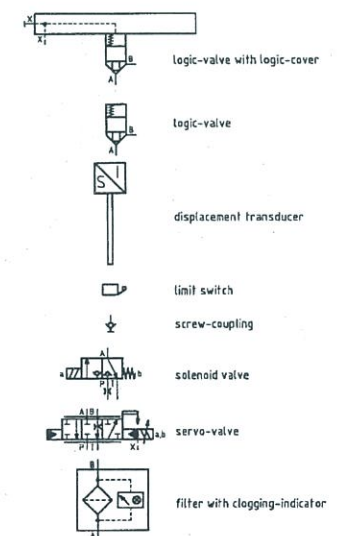
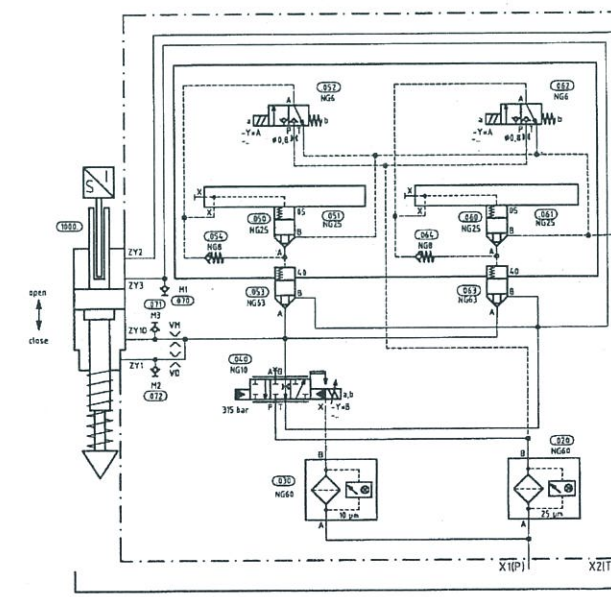
REHEAT STOP VALVE 2 (RSV B)
CXEIF3/240/90/255F20/GGAKSLU-D900874



INTERCEPT CONTROL VALVE 1 (ICV A)
CXEIF3/200/90/220F20/GRGASSLU-D900875



INTERCEPT CONTROL VALVE 2 (ICV B)
CXEIF3/200/90/220F20/GRGASSLU-D900875



E 1209-01-13 Bernard		1209-01-13 Bernard	
Kunden/Client: Eschba		Kunden/Client: Eschba	
Projekt/Project: UPH-0812-1316-A		Projekt/Project: UPH-0812-1316-A	
Auftr./Order: 164.797		Auftr./Order: 164.797	
Teil/Part: 10		Teil/Part: 10	
Baujahr/Year: 2009-01-13		Baujahr/Year: 2009-01-13	
Druck/Pressure: 2009-01-13		Druck/Pressure: 2009-01-13	
Hersteller/Manufacturer: Rexroth		Hersteller/Manufacturer: Rexroth	
Produkt/Product: Turbine Control and Trip System		Produkt/Product: Turbine Control and Trip System	
Teil/Part: HS-A11-N921-0-C		Teil/Part: HS-A11-N921-0-C	
Druck/Pressure: 2009-01-13		Druck/Pressure: 2009-01-13	
Hersteller/Manufacturer: Rexroth		Hersteller/Manufacturer: Rexroth	
Produkt/Product: Turbine Control and Trip System		Produkt/Product: Turbine Control and Trip System	
Teil/Part: HS-A11-N921-0-C		Teil/Part: HS-A11-N921-0-C	



PT. KOMIPO PEMBANGKITAN JAWA BALI

PLTU TANJUNG JATI B #UNIT 3&4

PURCHASE ORDER

Doc. Ref : KPJB-0951-02

Form No. : KPJB-0951-02-ZZ-FM-05

Design Div. : Finance and Administration

Revision No. : 01



TERMS AND CONDITION

Lampiran

SYARAT - SYARAT DAN KONDISI

KETENTUAN UMUM

Singkatan dan istilah umum :

"Purchase Order/PO" adalah Surat Pesanan Pembelian (*Purchase Order* atau PO).

"ASET OPERATOR" adalah PT Komipo Pembangkitan Jawa Bali (PT. KPJB)

"PLN TJB" adalah PT PLN (Persero) Unit Induk Pembangkitan Tanjung Jati B.

"PPN" adalah Pajak Pertambahan Nilai.

1. SURAT MENYURAT

Setiap surat menyurat harus menggunakan Kop Surat Perusahaan yang mencantumkan Nomor *Purchase Order/PO* , Nomor Surat Penawaran, Tanggal dan ditandatangani di atas meterai oleh Penyedia Barang/Jasa (oleh Direktur atau yang dikuasakan berdasarkan Anggaran Dasar Perusahaan), dan dialamatkan kepada: **ASET OPERATOR**, Procurement, Jepara.

Korespondensi antara **ASET OPERATOR** dan Penyedia Barang/Jasa dapat dilaksanakan melalui surat, faksimili, atau *e-mail* dan ditujukan kepada alamat masing-masing Pihak sebagaimana yang tercantum dalam *Purchase Order/PO*.

Salah satu Pihak dapat mengganti alamat, nomor telepon, faksimili dan/atau *E-mail* dengan memberikan pemberitahuan terlebih dahulu kepada Pihak lainnya.

2. PROSES PENGADAAN

Proses Pengadaan diadakan dengan sistem yang diputuskan oleh **ASET OPERATOR Procurement** dan **PLN TJB**, dimana prosedur yang berlaku yaitu sebagai berikut:

2.1 Penyedia Barang / Jasa yang diundang untuk Pengadaan adalah yang telah terdaftar di daftar Penyedia Barang/Jasa **ASET OPERATOR** dan telah disetujui oleh **PLN TJB** dengan diterbitkan "SAP CODE" oleh **PLN TJB**.

2.2 Menyerahkan Jaminan Penawaran untuk Surat Penawaran di atas Rp.500,000,000,- (Lima Ratus Juta Rupiah) dan/atau dipersyaratkan pada Undangan Pengadaan Barang / Jasa dengan nilai jaminan minimal 1% (satu persen) dan maksimal 3% (tiga persen) dari Harga Penawaran dari Penyedia Barang/Jasa termasuk PPN sesuai peraturan yang berlaku, kepada **ASET OPERATOR** dengan masa berlaku adalah 90 (Sembilan Puluh) hari kalender terhitung dari tanggal yang tertera di Surat Penawaran Harga. Jaminan Penawaran Harus diterbitkan oleh Bank sesuai dengan Daftar Penyedia Jaminan Terseleksi (DPJT) PLN yang telah disetujui oleh **ASET OPERATOR** dan/atau **PLN TJB**.

2.3 Penyedia Barang/Jasa wajib memenuhi persyaratan yang diminta oleh **ASET OPERATOR Procurement** dan tercantum dalam Surat Penawaran Harga, yaitu sebagai berikut:

2.3.1 Jadwal Pengiriman/pekerjaan yang diajukan dalam Surat Penawaran Harga adalah dalam hitungan "**HARI KALENDER atau TANGGAL yang disepakati**".

2.3.2 Sertifikat dan/atau dokumen lainnya yang dipersyaratkan dalam permintaan barang/jasa yang akan diserahkan, maka harus tercantum dalam Surat Penawaran Harga dan itu adalah "**SERTIFIKAT/DOKUMEN ASLI**", kecuali ada ketentuan dan persetujuan lain yang disepakati Para Pihak (Penyedia Barang/Jasa dan **ASET OPERATOR Procurement**).

2.3.3 Harga Yang ditawarkan adalah dalam "**RUPIAH**" sesuai dengan peraturan yang berlaku, kecuali ada ketentuan dan persetujuan lain yang disepakati Para Pihak (Penyedia Barang/Jasa dan **ASET OPERATOR Procurement**).

2.3.4 Surat Penawaran Harga yang diserahkan ke **ASET OPERATOR Procurement** harus menggunakan kop surat resmi perusahaan, bertanggal, bermeterai dan ditandatangani oleh Penyedia Barang/Jasa (oleh Direktur atau yang dikuasakan berdasarkan Anggaran Dasar Perusahaan).

2.3.5 Masa berlaku Surat Penawaran Harga adalah 90 (Sembilan Puluh) Hari Kalender sejak tanggal Surat Penawaran Harga dibuat.

2.3.6 Syarat dan Kondisi penyerahan barang/jasa adalah "**DDP Tanjung Jati B**" (*incoterms* 2000), kecuali ada ketentuan dan persetujuan lain yang disepakati Para Pihak (Penyedia Barang/Jasa dan **ASET OPERATOR Procurement**).

2.3.7 Syarat dan Kondisi Pembayaran adalah 45 (empat puluh lima) Hari Kalender sejak barang/atau bukti penyelesaian pekerjaan dan dokumen lainnya yang dipersyaratkan dalam *Purchase Order/PO* lengkap diterima oleh **ASET OPERATOR** dan **PLN TJB**.

2.3.8 Penyedia Barang/Jasa dipersyaratkan mencantumkan kesanggupan untuk menerbitkan "**Surat Pernyataan Jaminan/Warranty Letter**", yang menyatakan bahwa barang yang dikirimkan adalah Asli, Baru dan Tidak ada cacat. *Purchase Order/PO* lengkap diterima oleh **ASET OPERATOR** dan dapat digunakan, dan ditandatangani di atas meterai oleh Penyedia Barang/Jasa (oleh Direktur atau yang dikuasakan berdasarkan Anggaran Dasar Perusahaan). Jika dipersyaratkan dalam PO

2.4 Surat Penawaran Harga dan Dokumen pengadaan lainnya yang telah diterima oleh **ASET OPERATOR Procurement** adalah mutlak milik **ASET OPERATOR Procurement** dan keputusan yang dibuat oleh **ASET OPERATOR Procurement Komite** adalah mutlak dan tidak dapat diganggu gugat.

2.5 Adapun Syarat dan Ketentuan lainnya yang ditetapkan terpisah adalah satu kesatuan dari Syarat –Syarat dan Kondisi pada lampiran 2.

3. PERSETUJUAN PURCHASE ORDER/PO

Sebagai konfirmasi persetujuan Pesanan atau syarat-syarat *Purchase Order/PO*, Nomor Referensi Rekanan wajib menandatangani Surat *Purchase Order/PO* di atas meterai yang cukup pada kolom yang tersedia dan mengembalikan kepada Procurement **ASET OPERATOR**.

3.1 PROSES PURCHASE ORDER/PO

Proses *Purchase Order/PO* diberlakukan dalam tahap sebagai berikut:

3.1.1 *Purchase Order/PO* atas nama **PLN TJB** lebih besar dari Rp.500,000,000,- (Lima Ratus Juta Rupiah), maka Penyedia Barang/Jasa diwajibkan menyerahkan Jaminan Pelaksanaan ditujukan ke **PLN TJB**, bernilai minimal 5% (lima persen) dari total harga barang/ jasa yang tercantum dalam *Purchase Order/PO* termasuk PPN sesuai dengan peraturan yang berlaku.

3.1.2 *Purchase Order/PO* Asli yang telah lengkap ditandatangani oleh **ASET OPERATOR** atas sepengetahuan dan persetujuan **PLN TJB** terlebih dahulu, dan wajib ditandatangani di atas meterai oleh Penyedia Barang/Jasa (oleh Direktur atau yang dikuasakan berdasarkan Anggaran Dasar Perusahaan) dan dikembalikan kepada Procurement **ASET OPERATOR**.

3.1.3 *Aktivasi Surat Purchase Order/PO* adalah 7 (tujuh) Hari Kalender sejak *Purchase Order/PO* dikirimkan melalui surat tertulis dan/atau surat elektronik (*surel/email*) oleh Procurement **ASET OPERATOR**.

3.1.4 *Jangka Waktu berlakunya Purchase Order/PO* ditetapkan dalam *Purchase Order/PO*, pada kolom "**Start Date**" dan "**End Date**".

3.1.5 Pada ketentuan *Pasal* 3.1.1 dimana **ASET OPERATOR** akan mengirimkan surat "*Appointment of awarded Supplier*" melalui surat tertulis dan/atau Surat Elektronik (*surel/email*) kepada Penyedia Barang/Jasa, dan selambat-lambatnya dalam waktu 14 (empat belas) Hari Kalender setelah tanggal dikirimkan surat "*Appointment of awarded Supplier*", maka Jaminan Pelaksanaan harus diterima oleh Procurement **ASET OPERATOR**, apabila telah melewati jangka waktu yang telah ditetapkan dan pihak Penyedia Barang/Jasa belum memberikan Jaminan Pelaksanaan, maka **ASET OPERATOR** mempunyai hak membatalkan perikatan hukum (*Purchase Order/PO*) dengan Penyedia Barang/Jasa. Penyedia Barang/Jasa dianggap mengundurkan diri dan Jaminan Penawaran dicairkan tanpa syarat. Penyedia Barang/Jasa dianggap telah melakukan Wanprestasi dan akan dikenakan sanksi sesuai dengan peraturan yang berlaku di **ASET OPERATOR** dan **PLN TJB**.



PT. KOMIPO PEMBANGKITAN JAWA BALI

PLTU TANJUNG JATI B #UNIT 3&4

PURCHASE ORDER

Doc. Ref : KPJB-0951-02

Form No. : KPJB-0951-02-ZZ-FM-05

Design Div. : Finance and Administration

Revision No. : 01



- 3.2 **ASET OPERATOR** dan Penyedia Barang/Jasa sepakat dalam hal **ASET OPERATOR** membatalkan *Purchase Order/PO* maka **ASET OPERATOR** dan **PLN TJB** tanpa terkecuali dibebaskan dari segala bentuk gugatan dan laporan hukum, sanksi, ganti rugi, penggantian biaya-biaya maupun ongkos-ongkos apapun sehingga Penyedia Barang/Jasa tidak memiliki hak dan wewenang untuk menuntut pertanggungjawaban apapun lagi dari **ASET OPERATOR** dan **PLN TJB**.
- 3.3 *Purchase Order/PO* dan Ketentuan lainnya yang ditetapkan terpisah adalah satu kesatuan dari Syarat –Syarat dan Kondisi lampiran 2.

4. JANGKA WAKTU PELAKSANAAN

Jangka Waktu Pelaksanaan adalah Jangka Waktu yang tertera dalam *Purchase Order/PO* sesuai pada ketentuan Pasal 3.1.4, kecuali adanya pengakhiran atau perpanjangan berdasarkan kesepakatan Para Pihak.

5. PERPANJANGAN WAKTU PELAKSANAAN

Setiap perpanjangan waktu pelaksanaan akan diterbitkan Amendemen *Purchase Order/PO* dengan Jangka Waktu yang disepakati Para Pihak.

6. PERUBAHAN *PURCHASE ORDER/PO* (AMENDMENT *PO*)

Setiap perubahan atas *Purchase Order/PO* mengenai Masa berlaku *Purchase Order/PO*, sebagaimana ketentuan pada Pasal 3.1.4 dan syarat-syarat dan kondisi lain hanya akan mengikat apabila disetujui secara tertulis dari **ASET OPERATOR** atas nama **PLN TJB** dengan diterbitkannya *Amendment PO* yang diterbitkan 2 (dua) rangkap yang masing - masing rangkap ditandatangani diatas meterai oleh **ASET OPERATOR** dan Penyedia Barang/Jasa.

7. BARANG-BARANG

7.1 Semua barang yang dipasok/disuplai harus sesuai dengan perincian yang tercantum dalam *Purchase Order/PO*.

7.2 Penyimpangan dari ketentuan-ketentuan di atas tidak diperkenankan tanpa persetujuan tertulis/tanpa *Amendment PO* dari **ASET OPERATOR**.

8. KEMASAN

Kemasan harus dibuat kuat (dalam wujud kayu atau karton) dan layak laut atau udara sesuai dengan standar yang berlaku bagi kemasan. Semua harga bahan kemasan telah termasuk dalam harga yang telah disetujui. Pada setiap kemasan harus dicantumkan nama barang.

9. PEMERIKSAAN

9.1 Pemeriksaan sebelum pengapalan: apabila pemeriksaan sebelum pengapalan diperlukan, maka **ASET OPERATOR** dan/atau **PLN TJB** akan melakukan pemeriksaan barang di tempat Penyedia Barang/Jasa atau tempat lain yang disetujui Para Pihak.

9.2 Barang akan diperiksa pada waktu penyerahan dilaksanakan setelah lengkap dengan dokumen yang dipersyaratkan pada *Purchase Order/PO*. Barang yang tidak memenuhi syarat-syarat yang ditentukan dalam *Purchase Order/PO* akan dikembalikan kepada Penyedia Barang/Jasa, dan semua biaya dan kerugian akan ditimbulkan menjadi risiko dan tanggung jawab Penyedia Barang/Jasa.

10. SERTIFIKASI

Sertifikat untuk barang (-barang) tertentu yang ditetapkan oleh **ASET OPERATOR** dan **PLN TJB** adalah sebagai berikut:

- Sertifikat Asal Usul Barang (*Certificate of Origin/COO*);
- Sertifikat dari Pabrik (*Certificate of Manufacture/COM*);
- Surat Keaslian Barang;
- Sertifikat Hasil Uji Pabrik (*Factory Acceptance Test Certificate*);
- Salinan Dokumen Impor Barang (*Copy Bill of Lading*);
- Sertifikat Analisa (*Certificate of Analysis/COA*);

ataupun dokumen-dokumen pendukung lainnya (sebagaimana dipersyaratkan khusus di *Purchase Order/PO*).

11. PENYERAHAN

11.1 Penyedia Barang/Jasa harus menyerahkan barang (-barang) dalam jangka waktu dan tempat sesuai dengan syarat-syarat yang telah ditentukan dalam *Purchase Order/PO*.

11.2 Dalam jangka waktu paling lambat 7 (tujuh) Hari Kalender sebelum pengiriman barang (-barang), Penyedia Barang/Jasa harus memberitahukan **ASET OPERATOR** mengenai jadwal pengiriman.

11.3 Waktu Penyerahan barang(-barang) dihitung efektif sejak 7 (tujuh) Hari Kalender sejak *Purchase Order/PO* dikirimkan melalui surat tertulis dan/atau Surat Elektronik (*surel/ email*) oleh Procurement **ASET OPERATOR** ditambah jangka waktu pengiriman yang tercantum pada *Purchase Order/PO* sebagaimana ketentuan pada Pasal 3.1.5 dan lengkap disertai dengan penyerahan dokumen pendukung yang dipersyaratkan dalam *Purchase Order/PO*.

12. DENDA SANKSI

12.1 Sanksi atas pencairan Jaminan Penawaran tanpa syarat apabila Penyedia Barang/Jasa membatalkan *Purchase Order/PO* secara sepihak, tanpa persetujuan **ASET OPERATOR** dan **PLN TJB**, sebagaimana ketentuan pada Pasal 2.2 dan Pasal 3.1.6. Penyedia Barang/Jasa dianggap telah melakukan Wanprestasi dan mendapatkan sanksi *blacklist* di lingkungan **ASET OPERATOR** dan **PLN TJB** minimal 2 (dua) tahun.

12.2 Denda atas keterlambatan menyelesaikan pekerjaan atau memasok Barang adalah setiap hari keterlambatan dikenakan 1/1000 (satu per seribu) dengan maksimal denda keterlambatan adalah 5% (lima persen) dari total nilai *Purchase Order/PO* belum termasuk PPN sesuai dengan peraturan yang berlaku dan/atau sama dengan maksimal keterlambatan pengiriman maksimal adalah 50 (lima puluh) Hari Kalender, kecuali ada kesepakatan lain antara Para Pihak. Serta melakukan pemotongan pembayaran kepada Penyedia Barang/Jasa dengan menggunakan nilai denda yang sudah ditetapkan **ASET OPERATOR** tersebut sebagai dasar pemotongan.

12.3 Batas maksimal Penyedia Barang/Jasa dalam keterlambatan adalah 3 (tiga) *Purchase Order/PO* dan Penyedia Barang/Jasa akan di tangguhkan ("*suspend*") atau tidak dapat turut serta dalam proses pengadaan berikutnya. Pemberian Penangguhan ("*suspend*") kepada Penyedia Barang/Jasa adalah hak mutlak **ASET OPERATOR** atas persetujuan **PLN TJB**, dan tanpa pemberitahuan resmi kepada Penyedia Barang/Jasa.

12.4 Penyedia Barang/Jasa tidak dapat membatalkan *Purchase Order/PO* sepihak kepada **ASET OPERATOR** dan/atau **PLN TJB**. Bila Penyedia Barang/Jasa tidak sanggup menyerahkan atau menyelesaikan pekerjaannya dalam waktu yang telah ditentukan, **ASET OPERATOR** dan/atau **PLN TJB** sebagaimana ketentuan pada Pasal 11.3, maka **ASET OPERATOR** memiliki hak dan wewenang penuh untuk:

12.4.1 Mengenakan denda maksimal sebesar 5% (lima persen) dari Total Nilai pada *Purchase Order/PO* atau mencairkan Jaminan Pelaksanaan tanpa syarat;

12.4.2 Dan/ Atau memesan barang/ jasa tersebut kepada sumber lain dan bila ada kelebihan harga yang dibayarkan **ASET OPERATOR** maka Penyedia Barang/Jasa wajib menanggung kelebihan harga tersebut;

12.4.3 Penyedia Barang/Jasa dianggap telah melakukan Wanprestasi dan mendapatkan sanksi *black list* di lingkungan **ASET OPERATOR** dan **PLN TJB** minimal 2 (dua) tahun disertai dengan membatalkan atau mengakhiri PO beserta pengakhiran ikatan Kerjasama dengan Penyedia Barang/Jasa.

12.5 Denda atau Sanksi dapat diabaikan dan/atau dihilangkan apabila keterlambatan atas suatu Pengadaan Barang atau Jasa yang dianggap oleh **ASET OPERATOR** dan/ atau **PLN TJB** adalah dikategorikan sebagai suatu "*Force Majeure*" sebagaimana ketentuan pada Pasal 16.

13. TAHAPAN SURAT PEMBERITAHUAN, PERINGATAN, DAN PEMUTUSAN *PURCHASE ORDER/PO* KARENA WANPRESTASI



PT. KOMIPO PEMBANGKITAN JAWA BALI

PLTU TANJUNG JATI B #UNIT 3&4

PURCHASE ORDER

Doc. Ref : KPJB-0951-02

Form No. : KPJB-0951-02-ZZ-FM-05

Design Div. : Finance and Administration

Revision No. : 01



13.1 Peristiwa-peristiwa yang digolongkan sebagai Wanprestasi adalah:

- a. Peristiwa Wanprestasi yang mengakibatkan *Purchase Order*/PO berakhir tanpa melalui surat peringatan dari **ASET OPERATOR** terhadap Penyedia Barang/Jasa adalah sebagai berikut:
 - i. Penyedia Barang/Jasa terbukti melakukan tindak pidana antara lain adanya pemalsuan surat/dokumen, praktek korupsi, penyuapan, pemberian gratifikasi, persekongkolan, kecurangan dan pemalsuan yang berkaitan dengan proses pengadaan, *Purchase Order*/PO dan/atau pelaksanaan Pekerjaan.
 - ii. Penyedia Barang/Jasa terbukti melakukan pelanggaran atas peraturan internal **ASET OPERATOR** dan/atau **PLN TJB** terkait *fraud*.
 - iii. Berdasarkan putusan Pengadilan yang telah mempunyai kekuatan hukum tetap, Penyedia Barang/Jasa dinyatakan dalam keadaan pailit, pembubaran, likuidasi atau diberikan penundaan pembayaran hutang yang menyebabkan Penyedia Barang/Jasa tidak dapat melakukan kewajibannya berdasarkan *Purchase Order*/PO.
 - iv. Penyedia Barang/Jasa terbukti dikenakan Sanksi Daftar Hitam (*blacklist*) sebelum penandatanganan *Purchase Order*/PO.
 - v. Apabila Jaminan Penawaran dan/atau Jaminan Pelaksanaan yang diserahkan oleh Penyedia Barang/Jasa kepada **ASET OPERATOR** dan/atau **PLN TJB** selama jangka waktu *Purchase Order*/PO terbukti palsu/tidak benar.
 - vi. Setiap pernyataan yang dibuat oleh Penyedia Barang/Jasa di dalam *Purchase Order*/PO yang berkaitan dengan proses pengadaan *Purchase Order*/PO dan/atau pelaksanaan Pekerjaan terbukti tidak sah dan/atau tidak dilaksanakan oleh Penyedia Barang/Jasa.
- b. Peristiwa Wanprestasi yang mengakibatkan *Purchase Order*/PO berakhir melalui surat peringatan dari **ASET OPERATOR** terhadap Penyedia Barang/Jasa adalah sebagai berikut:
 - i. Penyedia Barang/Jasa mengalihkan Pekerjaan baik sebagian atau seluruhnya atau hak atau kewajiban yang diatur dalam *Purchase Order*/PO tanpa persetujuan tertulis dari **ASET OPERATOR**;
 - ii. Apabila denda yang diatur dalam *Purchase Order*/PO tidak dibayar oleh Penyedia Barang/Jasa kepada **ASET OPERATOR**.
 - iii. Apabila Penyedia Barang/Jasa tidak melakukan perpanjangan Jaminan Pelaksanaan sebagaimana diatur dalam *Purchase Order*/PO.
 - iv. Penyedia Barang/Jasa tidak memenuhi baik sebagian atau seluruh kewajiban sesuai ketentuan yang diatur dalam *Purchase Order*/PO.

13.2 Dalam hal terjadi Peristiwa Wanprestasi oleh Penyedia Barang/Jasa sebagaimana dimaksud Pasal 13 ayat 13.1 butir b Syarat Umum *Purchase Order*/PO, **ASET OPERATOR** berhak mengakhiri *Purchase Order*/PO dengan memberikan surat peringatan, dengan ketentuan sebagai berikut:

- a. Surat Pemberitahuan (*Notification Letter*): dikirimkan secara tertulis dan/atau melalui *Email* ke Penyedia Barang/Jasa maksimal 14 (empat belas) Hari Kalender sebelum jangka waktu pengiriman jatuh tempo yang tertera pada *Purchase Order*/PO.
- b. Surat Peringatan Resmi (*Official Warning Letter*): dikirimkan secara tertulis dan/atau melalui *Email* ke Penyedia Barang/Jasa yang mengalami keterlambatan pengiriman dengan ketentuan sebagai berikut:
 - i. Surat Peringatan Pertama (*Warning Letter 1*): 1- 10 hari setelah masa berlakunya *Purchase Order*/PO berakhir (*end date*), dan Penyedia Barang/Jasawajib merespon dalam waktu 10 hari setelah Surat Peringatan Pertama (*Warning Letter 1*) diterima.
 - ii. Surat Peringatan Kedua (*Warning Letter 2*): 21- 30 hari setelah masa berlakunya *Purchase Order*/PO berakhir (*end date*), dan Penyedia Barang/Jasawajib merespon dalam waktu 10 hari setelah Surat Peringatan Kedua (*Warning Letter 2*) diterima.
 - iii. *Warning Letter 3* (Surat Pengakhiran/Pemutusan (*Termination Letter*)): 51 hari setelah masa berlakunya *Purchase Order*/PO berakhir (*end date*).
- c. Surat Pengakhiran/Pemutusan (*Termination Letter*): dikirimkan secara tertulis dan/atau melalui *Email* ke Penyedia Barang/Jasa setelah 2 (dua) surat pada Pasal 13.2.a dan 13.2.b di atas dikirimkan dan tidak tercapainya kesepakatan antara Para Pihak dalam penyelesaian permasalahan yang dimaksud dalam jangka waktu masa berlakunya *Purchase Order*/PO, maka secara sepihak yaitu **ASET OPERATOR** atas persetujuan **PLN TJB**, akan membatalkan *Purchase Order*/PO dengan mengirimkan Surat Pemutusan (*Termination Letter*) kepada Penyedia Barang/Jasa.
- d. Apabila Penyedia Barang/Jasa tidak menyelesaikan pekerjaan serta tidak tercapainya kesepakatan antara Para Pihak dalam penyelesaian pekerjaan yang dimaksud dalam jangka waktu masa berlakunya *Purchase Order*/PO dalam waktu sebagaimana disebutkan pada Pasal 13 ayat 13.2 butir c, maka **ASET OPERATOR** berhak mencairkan Jaminan Pelaksanaan Penyedia Barang/Jasa pada periode berjalan, dan mengakhiri *Purchase Order*/PO secara sepihak.

13.3 Dalam hal Penyedia Barang/Jasa telah melakukan pemulihan atau perbaikan sebagaimana dimaksud pada bab ini, dan pemulihan atau perbaikan tersebut disetujui oleh **ASET OPERATOR** maka peringatan tertulis yang telah diterbitkan tersebut tidak akan diperhitungkan sebagai pemberian peringatan yang berkelanjutan atau tidak berlaku kumulatif pada pemberian peringatan berikutnya.

13.4 Atas setiap pengakhiran dari *Purchase Order*/PO, seluruh kewajiban-kewajiban masing-masing Pihak berdasarkan *Purchase Order*/PO wajib berhenti, kecuali:

- a. Sehubungan dengan kewajiban-kewajiban pembayaran yang ditimbulkan dari tindakan-tindakan yang diambil sebelum pengakhiran tersebut (termasuk namun tidak terbatas pada hak normatif Pekerja Penyedia Barang/Jasa);
- b. Sebagaimana ditentukan lain dalam *Purchase Order*/PO;
- c. Bahwa ketentuan terkait Jaminan Pelaksanaan akan tetap berlaku walaupun *Purchase Order*/PO telah diakhiri; dan/atau
- d. Pengakhiran tersebut tidak akan mengurangi setiap hak atas ganti rugi atau setiap perbaikan lainnya yang mungkin dimiliki oleh masing-masing pihak berdasarkan *Purchase Order*/PO.

13.5 Dalam hal terjadi Peristiwa Wanprestasi Penyedia Barang/Jasa, maka Penyedia Barang/Jasa akan dikenakan hukuman/denda sesuai ketentuan pada *Purchase Order*/PO.

13.6 **ASET OPERATOR** akan memberlakukan hukuman daftar hitam (*blacklist*) bagi setiap pengakhiran *Purchase Order*/PO yang disebabkan karena wanprestasi Penyedia Barang/Jasa sebagaimana diatur lebih lanjut dalam ketentuan yang berlaku pada **ASET OPERATOR**.

13.7 Terhadap pengakhiran *Purchase Order*/PO, Para Pihak sepakat untuk tidak memberlakukan ketentuan Pasal 1266 Kitab Undang-Undang Hukum Perdata.

13.8 Akibat-akibat Pemutusan *Purchase Order*/PO:

- a. **ASET OPERATOR** dan/atau **PLN TJB** dibebaskan dari segala tuntutan hutang-hutang Penyedia Barang/Jasa kepada pihak ketiga yang harus ditanggung oleh Penyedia Barang/Jasa;
- b. **ASET OPERATOR** dan Penyedia Barang/Jasa segera mengadakan pemeriksaan bersama yang dituangkan dalam Berita Acara Pemeriksaan Pekerjaan dan/atau *Good Receipt* (GR) dan/atau *Join Inspection* (JI) yang meliputi beberapa prestasi yang telah selesai dikerjakan oleh Penyedia Barang/Jasa. Apabila Penyedia Barang/Jasa tidak bersedia mengadakan pemeriksaan bersama, maka **ASET OPERATOR** akan mengadakan pemeriksaan terakhir dan hasilnya dianggap sebagai hasil pemeriksaan bersama;
- c. Penyedia Barang/Jasa hanya berhak mendapatkan pembayaran sesuai kemajuan pekerjaan yang telah dilaksanakan dan disetujui **ASET OPERATOR**. Peralatan dan bahan-bahan yang belum dipergunakan tidak termasuk dalam penilaian kemajuan pekerjaan;
- d. **ASET OPERATOR** akan mengambil alih pekerjaan untuk diselesaikan dengan *Purchase Order*/PO lain atau dengan cara lain;

14. HARGA

14.1 Harga yang tercantum dalam *Purchase Order*/PO ini adalah tetap, tidak berubah dan mengikat.

14.2 Bagi Pengusaha Kena Pajak ("PKP") harga yang tercantum dalam *Purchase Order*/PO tidak termasuk PPN sesuai dengan peraturan yang berlaku. PPN harus dinyatakan terpisah dari harga barang(-barang) yang dipesan.

15. JAMINAN PENAWARAN DAN JAMINAN PELAKSANAAN

Jaminan dipersyaratkan untuk Pengadaan sebagai berikut :



PT. KOMIPO PEMBANGKITAN JAWA BALI

PLTU TANJUNG JATI B #UNIT 3&4

PURCHASE ORDER

Doc. Ref : KPJB-0951-02

Form No. : KPJB-0951-02-ZZ-FM-05

Design Div. : Finance and Administration

Revision No. : 01



- 15.1 Jaminan Penawaran adalah bernilai minimal 1% (satu persen) maksimal 3% (Tiga persen) dari Total Nilai Perkiraan Sendiri (HPS) atau Surat Penawaran Harga dari Penyedia Barang/Jasa termasuk PPN sesuai dengan peraturan yang berlaku, untuk nilai Penawaran lebih besar dari Rp.500,000,000,- (lima ratus juta rupiah), sebagaimana ketentuan pada Pasal 2.2 .
- 15.2 Jaminan Pelaksanaan adalah bernilai minimal 5% (lima persen) dari Total Nilai pada *Purchase Order/PO* termasuk PPN sesuai dengan peraturan yang berlaku untuk nilai Pembelian lebih besar dari Rp.500,000,000,- (lima ratus juta rupiah), sebagaimana ketentuan pada Pasal 3.1.1 di atas. Dengan ketentuan masa berlaku Jaminan Pelaksanaan adalah sebagaimana ketentuan pada Pasal 3.1.4 ditambah sekurang-kurangnya 50 (Lima Puluh Hari) Hari Kalender.
- 15.3 Jaminan yang disertakan harus mengikuti persyaratan yang diminta oleh **ASET OPERATOR** dan/atau **PLN TJB** dengan ketentuan sebagai berikut :
 - 15.3.1 Mengikuti format yang sudah dibakukan oleh **ASET OPERATOR** dan/ atau **PLN TJB**.
 - 15.3.2 Menggunakan mata uang dalam "Rupiah", kecuali ada ketentuan dan persetujuan lain yang disepakati Para Pihak (Penyedia Barang/ Jasa dan ASET OPERATOR Procurement).
 - 15.3.3 Harus diterbitkan oleh Bank sesuai dengan Daftar Penyedia Jaminan Terseleksi (DPJT) PLN yang telah disetujui oleh **ASET OPERATOR** dan/atau **PLN TJB**.
- 15.4 Jaminan Pelaksanaan diserahkan kepada **ASET OPERATOR** maksimal 14 (empat belas) Hari Kalender setelah "**Surat Penunjukan Pemenang / Appointment of Awarded Supplier**" dikirimkan melalui surat tertulis dan/atau Surat Elektronik (Surel/ Email) oleh **ASET OPERATOR** kepada Penyedia Barang/Jasa, sebagaimana ketentuan pada Pasal 3.1.5.
- 15.5 Asli dari Jaminan akan dikembalikan ke Penyedia Barang/Jasa apabila semua kewajiban dari Penyedia Barang/Jasa telah dinyatakan selesai oleh **ASET OPERATOR** atas persetujuan **PLN TJB**.
- 15.6 Jaminan dapat dimungkinkan untuk diperpanjang masa berlakunya atas permintaan dari **ASET OPERATOR** dan/atau **PLN TJB** kepada Penyedia Barang/Jasa.

16. FORCE MAJEURE

- 16.1 Peristiwa, kejadian atau keadaan berikut ini adalah *Force Majeure*: Kehendak Tuhan (*Act of God*) meliputi namun tidak terbatas pada gempa bumi, dari banjir, epidemi, kebakaran, perang, huru-hara, pemogokan dan/atau pemberlakuan peraturan pemerintah yang mengatur atau berhubungan dengan pelaksanaan/ pengiriman di dalam *Purchase Order/PO*.
- 16.2 Dalam hal terjadi suatu peristiwa, kejadian atau keadaan *Force Majeure*, Penyedia Barang/Jasa wajib memberitahukan secara tertulis dan/atau email dengan melampirkan bukti-bukti dari instansi yang berwenang kepada **ASET OPERATOR** selambat-lambatnya 3 (tiga) hari sejak terjadinya suatu peristiwa, kejadian atau keadaan *Force Majeure*.
- 16.3 Dalam hal pemberitahuan sebagaimana ketentuan Pasal 16.2 di atas terlampaui atau tidak dilaksanakan maka Para Pihak sepakat bahwa kejadian tersebut bukan merupakan keadaan *Force Majeure*.
- 16.4 Baik Penyedia Barang/Jasa maupun **ASET OPERATOR** dan **PLN TJB** dibebaskan dari setiap dan semua tanggung jawab yang timbul sebagai akibat terjadinya suatu peristiwa, kejadian atau keadaan *Force Majeure*.

17. TUNTUTAN DARI PIHAK KETIGA

Penyedia Barang/Jasa harus membebaskan dan melindungi **ASET OPERATOR** dan **PLN TJB** dari segala tuntutan dari pihak ketiga yang timbul atau akan timbul sehubungan dengan *Purchase Order/PO*.

18. GARANSI (Apabila Dipersyaratkan di dalam *Purchase Order/PO*)

Penyedia Barang/Jasa menjamin ke **ASET OPERATOR** dan/ atau **PLN TJB**, bahwa barang-barang yang dikirim sesuai dengan spesifikasi yang disepakati sebagaimana ketentuan pada Pasal 2.3.8. Barang tidak cacat atau rusak material atau teknis, baru (bukan barang bekas pakai) dan digaransi oleh Pabrik dan/atau Penyedia Barang/Jasa. Garansi harus berlaku selama jangka waktu 18 (delapan belas) bulan sejak tanggal pengiriman barang atau 12 (dua belas) bulan sejak tanggal pemasangan atau operasi awal atas barang ("**Masa Garansi**"). Apapun yang terjadi terlebih dahulu dalam Masa Garansi, ditemukan kerusakan atau kecacatan barang, **ASET OPERATOR** berkewajiban untuk memberitahukan secara tertulis dan/atau melalui email atas hal tersebut kepada Penyedia Barang/Jasa. Dan dalam waktu 3 x 24 jam setelah diterimanya pemberitahuan tersebut, Penyedia Barang/Jasa wajib memperbaiki barang yang cacat atau rusak tersebut, dan apabila barang tidak bisa diperbaiki dalam jangka waktu paling lambat 30 (tiga puluh) Hari Kalender, maka Penyedia Barang/Jasa harus mengganti barang yang rusak tersebut dengan barang baru dengan kualitas dan spesifikasi yang sama tanpa ada penambahan biaya apapun dari **ASET OPERATOR**.

19. TAGIHAN

Untuk melakukan penagihan, Penyedia Barang/Jasa harus memenuhi syarat-syarat penagihan dengan melengkapi dokumen-dokumen antara lain sebagai berikut:

- 19.1 Surat Permohonan Pembayaran: 1 (satu) rangkap Asli
- 19.2 Kwitansi : 3 (tiga) rangkap, 1 (satu) rangkap bermeterai cukup dan 2 (dua) rangkap lainnya tanpa meterai .
- 19.3 Invoice : 3 (tiga) rangkap, 1 (satu) rangkap bermeterai cukup dan 2 (dua) rangkap lainnya tanpa meterai.
- 19.4 Faktur Pajak : 2 (dua) rangkap.
- 19.5 Berita Acara Penyelesaian Pekerjaan (BAPK) dan/atau *Goods Receipt* dan/atau *Joint Inspection* : 1 (satu) rangkap Asli.
- 19.6 Berita Acara Serah Terima (BAST) barang/jasa/pekerjaan dan/atau *Minutes Of Verification* (MOV): 1 (satu) rangkap Asli.
- 19.7 NPWP dan SPPKP : 1 (satu) rangkap *Copy*.
- 19.8 Sertifikat Asal Barang dan/atau Sertifikat Manufaktur: 1 (satu) asli dan/atau 1 (satu) *Copy* (Apabila dipersyaratkan pada *Purchase Order/PO*).
- 19.9 Surat Jaminan/Garansi yang menyatakan masa garansi barang adalah 18 (delapan belas) bulan sejak pengiriman atau 12 (dua belas) bulan sejak instalasi : 1 (satu) asli dan 2 (dua) *Copy* (Apabila dipersyaratkan pada *Purchase Order/PO*).
- 19.10 Jaminan Pelaksanaan dan Surat Konfirmasi keabsahan Jaminan Pelaksanaan : 1 (satu) rangkap *Copy* (Apabila dipersyaratkan pada *Purchase Order/PO*).
- 19.11 SIUP/NIB dan SIUJK : 1 (satu) rangkap *Copy* (Apabila ada atau apabila dipersyaratkan pada *Purchase Order/PO*)
- 19.12 Syarat-syarat lain yang belum tercantum sebagaimana poin-poin diatas namun dipersyaratkan khusus pada *Purchase Order /PO* wajib dipenuhi oleh Penyedia Barang/Jasa.

(Persyaratan penagihan terlampir di lampiran " Tata Cara Penagihan")

20. PEMBAYARAN

Kecuali ditentukan lain dalam *Purchase Order/PO* :

- 20.1 Pembayaran akan dilakukan pada 45 (empat puluh lima) Hari Kalender setelah barang/ Jasa dinyatakan diterima dengan Bukti Asli *Goods Receipt/ Completion Work*, dan dokumen-dokumen penagihan telah diterima dengan baik, lengkap dan benar.
- 20.2 Pembayaran akan dilakukan melalui bank transfer.

21. LAIN - LAIN

- 21.1 Syarat-syarat umum ini berlaku sah dan mengikat, kecuali ada ketentuan lain yang tertera pada *Purchase Order/PO*.
- 21.2 Bilamana **ASET OPERATOR** serta Penyedia Barang/Jasa menandatangani kesepakatan tambahan sebagai satu kesatuan dari *Purchase Order/PO* dan ternyata menimbulkan pertentangan dengan klausul-klausul di dalam *Purchase Order/PO* maka **ASET OPERATOR** dan Penyedia Barang/Jasa sepakat akan selalu menafsirkan dengan cara memilih, mematuhi dan menerapkan klausul yang lebih menguntungkan **ASET OPERATOR** semata.



PT. KOMIPO PEMBANGKITAN JAWA BALI

PLTU TANJUNG JATI B #UNIT 3&4

PURCHASE ORDER

Doc. Ref : KPJB-0951-02

Form No. : KPJB-0951-02-ZZ-FM-05

Design Div. : Finance and Administration

Revision No. : 01



- 21.3 **ASET OPERATOR** dan/atau **PLN TJB**, setiap saat memiliki hak eksklusif untuk melakukan evaluasi berkaitan dengan kinerja, kepatuhan atau hasil pelaksanaan kewajiban oleh Penyedia Barang/Jasa, dimana hasil evaluasi tersebut akan disampaikan kepada Penyedia Barang/Jasa dalam bentuk pernyataan tertulis.
- 21.4 Evaluasi tersebut dilakukan dalam rangka menjamin keberlangsungan PLTU Tanjung Jati B Jepara sehingga hasil evaluasi sebagaimana dimaksud menjadi dasar bagi **ASET OPERATOR** dan/atau **PLN TJB** untuk mengkaji ulang status serta jangka waktu *Purchase Order/PO* dan/atau penentuan status Penyedia Barang/Jasa dalam Daftar Hitam Penyedia Barang/Jasa **ASET OPERATOR** dan/atau **PLN TJB**.
- 21.5 *Purchase Order/PO* dibuat, diatur dan ditafsirkan sesuai dengan hukum Negara Republik Indonesia.
- 21.6 Jika terjadi perselisihan yang tidak mendapatkan solusi maka **ASET OPERATOR** dan Penyedia Barang/Jasa sepakat untuk dapat melakukan pengakhiran *Purchase Order/PO* dan tidak memberlakukan ketentuan Pasal 1266 Kitab Undang-undang Hukum Perdata.
- 21.7 Syarat-syarat dan kondisi ini dibuat dalam Bahasa Indonesia dan Bahasa Inggris. Dalam hal adanya inkonsistensi atau penafsiran yang berbeda antara versi Bahasa Indonesia dan versi Bahasa Inggris, versi Bahasa Indonesia dari Syarat-syarat dan kondisi ini akan berlaku dan versi Bahasa Inggris harus dianggap secara otomatis diubah (perubahan mana berlaku sejak tanggal ditandatanganinya versi bilingual ini) untuk menjadikan bagian yang relevan dari versi Bahasa Inggris sesuai dengan bagian yang relevan dari versi Bahasa Indonesia.
- 21.8 **ASET OPERATOR** berhak melakukan Audit di Waktu tertentu kepada rekanan Penyedia Barang/Jasa, Proses pengaudit dilakukan oleh **ASET OPERATOR** didampingi tim Auditor yang ditunjuk **ASET OPERATOR**.

KETENTUAN MENYANGKUT LINGKUNGAN, KESEHATAN, DAN KESELAMATAN KERJA

1. STANDART KESELAMATAN UNTUK BAHAN BAHAN YANG BERACUN

- 1.1 Penyedia Barang/Jasa harus memberikan daftar data keselamatan material - material (MSDS) untuk seluruh *chemical*, pelumas, lem, cairan, pembersih dan bahan bahan lainnya yang berpotensi beracun yang rekanan akan gunakan dalam pelaksanaan pekerjaan.
- 1.2 Penyedia Barang/Jasa harus mengikuti syarat - syarat untuk penyimpanan, penanganan dan pembuangan material termasuk syarat - syarat untuk Peralatan Perlindungan Personal dan peralatan Pernafasan (RPE) yang ditentukan oleh **ASET OPERATOR**.
- 1.3 Setiap Material yang mengandung zat - zat yang berpotensi beracun yang ada di *Site* yang tidak sesuai dengan persyaratan MSDS dan belum disetujui oleh **ASET OPERATOR**, harus segera dihilangkan atau dipindahkan dari *site* oleh Penyedia Barang/Jasa sampai persetujuan tersebut diperoleh.

2. PURCHASE REQUISITION JASA/SERVICE

- 2.1 Dokumen Analisa Kerja Aman (*Job Safety Analysis / JSA*) atau dokumen identifikasi bahaya lainnya yang terkait dengan Jasa.
- 2.2 Prosedur kerja aman / instruksi kerja dan/atau dokumen EHS lainnya yang terkait dengan Jasa.
- 2.3 Surat keterangan sehat dari dokter untuk personel yang terkait dengan jasa.
- 2.4 Foto *copy* Sertifikat kompetensi untuk personel yang terkait dengan jasa.
- 2.5 Foto *copy* surat Kelayakan atas Peralatan Angkat dan Angkut yang masih "**VALID**" yang terkait dengan Jasa.
- 2.6 Foto *copy* Surat Keterangan Catatan Kepolisian (SKCK) dan kartu identitas (Kartu Tanda Penduduk/KTP atau Paspor) masih berlaku untuk lampiran Formulir *Request ID Card*.
- 2.7 Foto *copy* Surat Ijin Mengemudi (SIM) yang masih berlaku untuk pengendara mobil perusahaan untuk lampiran formulir "*Vehicle Gate Pass Request*".
- 2.8 Foto *copy* surat KIR yang masih berlaku untuk kendaraan operasional kategori tertentu untuk lampiran formulir "*Vehicle Gate Pass Request*".
- 2.9 Surat pernyataan dari Manajemen perusahaan bahwa akan mematuhi peraturan perundangan terkait dengan Lingkungan dan
- 2.10 Keselamatan, Kesehatan Kerja (LK3), salah satunya seperti berikut :
 - 2.10.1 Menyediakan Alat Pelindung Diri (APD) untuk seluruh karyawan yang standard dan sesuai
 - 2.10.2 Bertanggung jawab atas limbah/sampah yang dihasilkan oleh pekerjaan jasa tersebut serta selalu menjaga kerapian dan kebersihan area kerja.
 - 2.10.3 Membuat "Surat Pernyataan" bahwa perusahaan tidak mencemari lingkungan
 - 2.10.4 Melampirkan Sertifikat ISO 14001 dan Sertifikat PROPER yang dimiliki (apabila dipersyaratkan dalam RFQ & *Purchase Order/PO*)

3. PURCHASE REQUISITION BARANG

Menyediakan dokumen yang terkait dengan persyaratan Lingkungan, Keselamatan dan Kesehatan Kerja (LK3), seperti:

- 3.1 Lembar Data Keselamatan Bahan / LDKB (*Material Safety Data Sheet/MSDS*) untuk Bahan Beracun dan Berbahaya (B3), seperti: bahan kimia/resin/oli/grease/dll.
- 3.2 Petunjuk Pengoperasian secara aman (*Safety Operating Manual*) untuk peralatan/mesin/alat kerja/ dll.
- 3.3 Persyaratan penyimpanan serta penanganan secara manual.
- 3.4 Atau dokumen lainnya yang terkait dengan persyaratan dan perundangan Lingkungan, Keselamatan & Kesehatan Kerja (LK3).

4. KETENTUAN MENYANGKUT KETENAGA KERJAAN

Berikut persyaratan dari HRD yaitu sebagai berikut :

- 4.1 *Copy* sertifikat kepesertaan perusahaan di BPJS Ketenagakerjaan.
- 4.2 *Copy* kartu kepesertaan BPJS Ketenagakerjaan dari setiap karyawan yang dipekerjakan.
- 4.3 Ijin Operasional dari Disnaker Propinsi Jawa Tengah Cq. Disnaker Jepara Untuk pekerjaan yang di alih-daya kan (*Outsource*).
- 4.4 Surat Pemberitahuan ke Disnaker Jepara untuk pekerjaan jasa pemborongan.
- 4.5 *Copy* Perjanjian kerja antara perusahaan dengan masing-masing karyawan.

Lampiran Point 3, Hasil Pembahasan

KATEGORI SERTIFIKAT

No	Sertifikat Original	Sertifikat Elektronik (harus bisa di-trace)	Independent Lab Test
1	Tanda tangan, cap, atau label asli yang jelas dari penerbit dokumen	Barcode	Copy/ original
2	Ditulis, diketik, dicap oleh tangan penerbit dokumen, atau menyatakan bahwa itu asli	Digital sign	
3	Tanda tangan asli (basah), dengan cap/stempel perusahaan " <i>printed</i> "	Signature electronic/ digital sign	
4	Tanda tangan " <i>printed</i> ", dengan cap/stempel perusahaan asli (basah)	Tanda Tangan print, stamp print, ada link tracing	
5	Tanda tangan " <i>printed</i> ", stamp " <i>printed</i> ", cap/stempel perusahaan original asli (basah)		
6	Tanda tangan asli, stamp asli, tapi ada redaksi sertifikat copy (duplciate, triplicate dst)		
7	Tanda tangan dengan stamp basah dan perforated (lubang-lubang kecil) nomer seri		
8	Tanda tangan asli		

**INFORMASI DAFTAR PENERBIT JAMINAN TERSELEKSI
PENGADAAN BARANG/JASA DI LINGKUNGAN PT PLN (PERSERO)**

KLASIFIKASI	BATASAN NILAI KONTRAK	PENERBIT JAMINAN	BERLAKU SAMPAI DENGAN
I	TIDAK ADA BATASAN NILAI KONTRAK	PT BANK RAKYAT INDONESIA (PERSERO) TBK.	15 Desember 2024
		PT BANK MANDIRI (PERSERO) TBK.	15 Desember 2024
		PT BANK NEGARA INDONESIA (PERSERO) TBK.	15 Desember 2024
		PT BANK CENTRAL ASIA TBK.	15 Desember 2024
		PT BANK DANAMON INDONESIA TBK.	15 Desember 2024
		PT BANK CIMB NIAGA TBK.	15 Desember 2024
		LEMBAGA PEMBIAYAAN EKSPOR INDONESIA	15 Desember 2024
		PT BANK TABUNGAN NEGARA (PERSERO) TBK.	15 Desember 2024
		BANK OF CHINA (HONGKONG) LTD CABANG JAKARTA	15 Desember 2024
II	NILAI KONTRAK ~ Rp 1 TRILIUN	MUFG BANK LTD	15 Desember 2024
		PT BANK OCBC NISP TBK.	15 Desember 2024
		PT BANK PERMATA TBK.	15 Desember 2024
		PT BANK UOB INDONESIA	15 Desember 2024
		PT BANK KB BUKOPIN TBK.	15 Desember 2024
		PT BANK SYARIAH INDONESIA TBK.	15 Desember 2024
		PT BANK MAYBANK INDONESIA TBK.	15 Desember 2024
		PT BPD JAWA TIMUR TBK.	15 Desember 2024
		PT BANK BTPN TBK.	15 Desember 2024
III	NILAI KONTRAK ~ Rp 150 MILIAR	PT BANK MIZUHO INDONESIA	15 Desember 2024
		PT BANK ICBC INDONESIA	15 Desember 2024

Jakarta, 30 Agustus 2024
PT PLN (PERSERO)
DIREKTUR KEUANGAN


SINTHYA ROESLY

**BANK GUARANTEE
BID BOND UNDER SE BI**
_____ [number]
_____ [places & dated]

To :

**PT. Perusahaan Listrik Negara (Persero) UIK
Tanjung Jati B**
Desa Tubanan, Kecamatan Kembang, Kabupaten Jepara
Jawa Tengah, 59457

Whereas PT Bank _____ [name of bank] domiciled in and having its address at _____ [address] (hereinafter referred to as the “Bank”), hereby irrevocably guarantee _____ [name of applicant] having a registered address at _____ [address] (hereinafter refer as the “Principal”) for the favour of PT.

Perusahaan Listrik Negara (Persero) UIK Tanjung Jati B having a registered office at _____ (hereinafter refer as the “Beneficiary” to make a payment of amount up to _____ (say: _____) if the Principal has failed and/or neglected to perform its obligation, including if Principal does not follow the procurement process and/or does not sign/enter into contracts/agreements or fulfill other provisions as specified in the Bid Document _____ no _____ date _____ [Bid Document] (“Bid Document”) for the Project of _____ [name of Project], including but not limited to the Principal failure to maintain the validity period of this Bank Guarantee in accordance with the Bid Document and/or request of the Beneficiary.

This Bank Guarantee is issued with the following provisions:

1. This Bank Guarantee shall be effective on and as of the date of _____ until _____ [maturity date].
2. The payment of Bank Guarantee shall be made without require Principal approval upon our receipt of Beneficiary’s first written demand

**BANK GARANSI
JAMINAN PENAWARAN BERDASARKAN
SE BI**

_____ (Nomor)
_____ (Tempat & Tanggal)

Kepada :

**PT. Perusahaan Listrik Negara (Persero) UIK
Tanjung Jati B**
Desa Tubanan, Kecamatan Kembang, Kabupaten Jepara
Jawa Tengah, 59457

PT Bank _____ [nama bank] berkedudukan di _____ [alamat], (untuk selanjutnya disebut “Bank”), dengan ini menjamin tanpa dapat ditarik kembali _____ [nama badan usaha penyedia barang/jasa] beralamat di _____ (untuk selanjutnya disebut “Terjamin”) terhadap PT. Perusahaan Listrik Negara (Persero) UIK Tanjung Jati B beralamat di _____ (untuk selanjutnya disebut sebagai “Penerima Jaminan”), untuk membayar sejumlah uang sebesar _____ (terbilang: _____) apabila Terjamin melakukan tindakan dan/atau gagal untuk melakukan tindakan termasuk apabila Terjamin tidak mengikuti proses pengadaan dan/atau tidak menandatangani/memasuki kontrak/perjanjian atau memenuhi ketentuan lainnya sebagaimana ditentukan dalam Dokumen Pengadaan _____ no _____ tanggal _____ [Dokumen Pengadaan] (“Dokumen Pengadaan”) untuk _____ [nama proyek], termasuk namun tidak terbatas pada kegagalan Terjamin untuk memelihara masa berlaku Bank Garansi ini sesuai Dokumen Pengadaan dan/atau permintaan Penerima Jaminan.

Bank Garansi ini dikeluarkan dengan ketentuan-ketentuan sebagai berikut:

1. Bank Garansi ini berlaku efektif sejak tanggal _____ dan akan berakhir pada tanggal _____ [tanggal jatuh tempo].
2. Pembayaran atas Bank Garansi ini dilakukan tanpa perlu mendapat persetujuan Terjamin setelah adanya

- stating that the Principal has failed to fulfill its obligation under the Contract and the amount to be paid to Beneficiary by attaching of the original of this Bank Guarantee.*
3. *The deadline for submission and receipt of any claim on this Bank Guarantee by Beneficiary to the Bank shall be made in writing, not later than 30 (thirty) calendar days from the date of maturity of this Bank Guarantee, provided that if the date falls on holiday or a day on which banking institutions are permitted to be closed, then the submission shall be made no later than one working day thereafter.*
 4. *The Bank shall be firmly bound unto the Beneficiary for the Payment in the amount as mention above not later than 15 (fifteen) calendar days after receipt of Beneficiary's first written demand and the original of Bank Guarantee to the Bank.*
 5. *With reference to Article 1832 of Indonesian Civil Code (Kitab Undang-Undang Hukum Perdata), the Bank hereby relinquish/waives its privileges/rights granted by law to claim/demand on asset belonging to the Principal and/or bound as collateral be confiscated, seized or sold in advance for the discharge of Principal debts as stipulated under Article 1831 of Indonesian Civil Code.*
 6. *The payment of Bank Guarantee claims/demands is absolute and unconditional even though there is a demand, request or objection from the principal or any other party whatsoever.*
 7. *The payment of bank Guarantee claims/demand will be made to the account designated by the Beneficiary, free and clear of, without any reduction for any reason, either present or future, of all taxes, levies, fees or withholding whatsoever, imposed or collected with respect thereto.*
- surat permintaan pencairan Bank Garansi dari Penerima Jaminan kepada Bank yang menyatakan bahwa Terjamin wanprestasi/gagal memenuhi kewajibannya berdasarkan Kontrak dan jumlah yang harus dibayarkan kepada Penerima Jaminan beserta asli Bank Garansi ini.
3. Batas waktu pengajuan dan penerimaan tuntutan penagihan/klaim atas Bank Garansi ini adalah selambat-lambatnya 30 (tiga puluh) hari kalender sejak tanggal jatuh tempo Bank Garansi ini, dengan ketentuan apabila tanggal tersebut jatuh pada hari libur atau diluar hari kerja Bank, maka pengajuan akan dilakukan selambat-lambatnya pada satu hari kerja Bank setelahnya.
 4. Bank akan membayar kepada Penerima Jaminan untuk jumlah tersebut di atas seketika selambat-lambatnya 15 (lima belas) hari kalender setelah diterimanya surat permintaan pencairan Bank Garansi dan Asli Bank Garansi dari Penerima Jaminan kepada Bank.
 5. Dengan mengacu pada Pasal 1832 Kitab Undang-Undang Hukum Perdata, Bank dengan ini melepaskan hak-hak istimewa yang diberikan oleh undang-undang sebagaimana dimaksud dalam Pasal 1831 Kitab Undang-Undang Hukum Perdata untuk menuntut supaya benda-benda milik Terjamin dan/atau yang diikat sebagai jaminan lebih dahulu disita dan dijual untuk melunasi hutang Terjamin.
 6. Pembayaran atas klaim/tuntutan pencairan adalah mutlak dan tanpa syarat (*unconditional*) meskipun ada tuntutan, permintaan atau keberatan dari Terjamin atau pihak manapun.
 7. Pembayaran atas klaim/tuntutan pencairan Bank Garansi akan dilakukan ke rekening

8. *This Bank Guarantee is non-transferable and/or cannot be pledged to another party*
9. *This Bank guarantee can't be amended, modified or supplement unless such amendment, modification or supplemented has been approved by Beneficiary in written or as expressly required by Beneficiary to Applicant.*
10. *This Bank Guarantee shall be governed by and construed in accordance with laws and regulations applicable in Indonesia.*
11. *For the purpose of this Bank Guarantee issuance and any consequence thereof, Bank chooses the Court of _____ [domicile of court] as general and permanent domicile.*
12. *This Bank Guarantee has been executed in both Bahasa Indonesia and English. The two versions of this Bank Guarantee shall not be construed as separate documents and, when taken together, shall constitute one and the same instrument. In the event of any conflict or inconsistency between the English language version and the Bahasa Indonesia language version of Bank Guarantee.*

This Bank Guarantee is issued by duly authorized officers on the date _____ and to be used by properly interested party

_____ [places/tempat], _____ [dated/tanggal]

PT _____ [name of bank/nama bank]

[Bank Stamp/Cap Bank]

_____ [authorized signatory/tandatangan pejabat yang berwenang]

bank yang ditunjuk oleh Penerima Jaminan, bebas dan bersih serta tanpa pengurangan dengan alasan apapun, baik yang berlaku pada saat ini atau kemudian, dari semua pajak, pungutan, biaya atau pemotongan apapun, yang dibebankan atau dipotong sehubungan dengan hal-hal tersebut.

8. Bank Garansi ini tidak dapat dipindahtangankan dan/atau dijaminan kepada pihak lain (*non-transferable*).
9. Bank Garansi ini tidak dapat diubah kecuali perubahan tersebut disetujui oleh Penerima Jaminan melalui surat tertulis atau secara tegas dimintakan oleh Penerima Jaminan kepada Terjamin.
10. Bank Garansi ini diatur oleh dan ditafsirkan berdasarkan peraturan perundang-undangan yang berlaku di Indonesia.
11. Untuk tujuan Bank Garansi ini dengan segala akibat hukumnya, Bank memilih domisili yang tetap di Kantor Panitera Pengadilan Negeri di _____ [domisili pengadilan].
12. Bank Garansi ini dibuat dalam Bahasa Indonesia dan Bahasa Inggris. Dua versi dari Bank Garansi ini tidak dapat ditafsirkan sebagai dokumen terpisah, dan ketika ditandatangani bersama, harus dianggap satu dan merupakan instrumen yang sama. Dalam hal terdapat konflik atau ketidaksesuaian antara versi Bahasa Inggris dan versi Bahasa Indonesia atas Bank Garansi ini, maka versi Bahasa Indonesia akan berlaku.

Demikian Bank Garansi ini di terbitkan oleh yang berwenang pada tanggal _____ untuk dapat dipergunakan sebagaimana mestinya dan oleh yang berkepentingan.

URGENT

DOCUMENT PROCUREMENT
RFQ No. XXXX

NAMA PERUSAHAAN :

ALAMAT / TELP. :

SUBJECT / NO. RFQ :

WAKTU CLOSE BID : (Hari, Tgl/Bln/Thn) JAM 11.00 WIB

To : **Mohammad Azka**

PT. Komipo Pembangkitan Jawa Bali (KPJB)

PLTU Tanjung Jati B Unit 3 & 4

Ds Tubanan, Kec Kembang,

Kab Jepara, 59453 Jawa Tengah

Telp : 0291-4270493