



---

## Public Notice

### RFQ K19383 of The Purchasing of Safety Relief Valve

#### 1. Scope of Supply

Purchasing RFQ K19383 of The Purchasing of Safety Relief Valve

##### Bidding Type

- Domestic open bidding to select the lowest priced suppliers and evaluated by total price
- The quotation shall be submitted in one sealed envelope containing both the priced and unpriced proposals, addressed to Procurement Team, F&A Division PT. KPJB

#### 2. Requirement for Qualification of Bidder

It is mentioned in document of INVITATION TO BID, Bidding Schedule of RFQ K19383 of The Purchasing of Safety Relief Valve, Attachment 5.

#### 3. Aanwijzing will be held on 09.00 WIB, 1 December 2025 (via Zoom Application)

Topic: RFQ K19383 of The Purchasing of Safety Relief Valve

Time: Dec 1, 2025 09:00 AM Jakarta

Join Zoom Meeting

<https://us06web.zoom.us/j/84172388315?pwd=poxbw8n5cDTQ2zN5SZwbxaFAN6S0aR.1>

Meeting ID: 841 7238 8315

Passcode: 994377

#### 4. Bid Closing date and Time on 11.00 WIB, 11 December 2025

#### 5. Invitation to Bid (ITB) and Additional Information

- Invitation to Bid (ITB) document copy or soft file is available in website PT. KPJB ([www.kpjb.co.id](http://www.kpjb.co.id)); or
- Email : [procurement34@kpjb.co.id](mailto:procurement34@kpjb.co.id)

#### 6. Bid submission

To : Procurement Team

**Finance & Administration Division (K19383)**

**PT. Komipo Pembangkitan Jawa Bali (KPJB)**

PLTU Tanjung Jati B Unit 3 & 4,

Desa Tubanan, Kecamatan Kembang,

Kabupaten Jepara, Jawa Tengah, Indonesia 59453

Tel : 0291-4270493, Fax : 0291-4270601



---

**7. Procedure for Submission Bid Document**

- The bidding document shall be submitted in a sealed envelope by registered mail or direct submission after KPJB security's check not later than the bid closing date and time.
- Document title shall be marked in the envelope as "RFQ K19383 of The Purchasing of Safety Relief Valve"



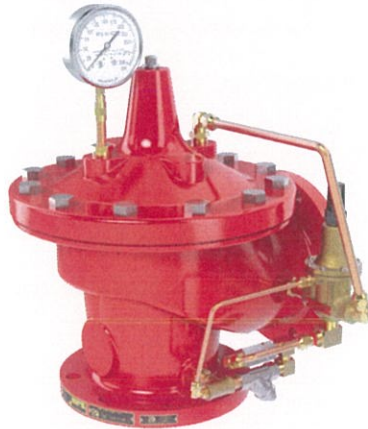
— MODEL —

# 50B-4KG1 Globe 2050B-4KG1 Angle

## Fire Protection Pressure Relief Valve



Type Approved



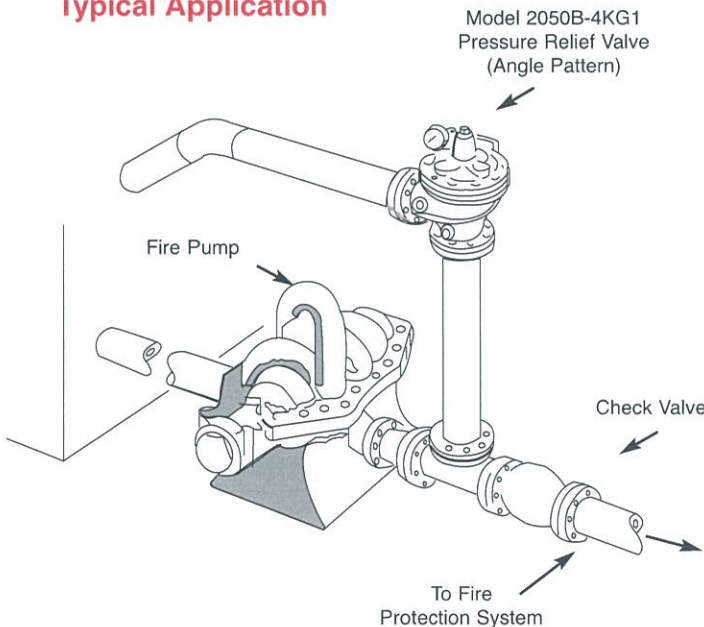
2050B-4KG1 (Angle)

- **UL / ULC Listed**
- **Factory Mutual Approved**
- **Fast Opening to Maintain Steady Line Pressure**
- **Accommodates Wide Range of Flow Rates**
- **Closes Gradually for Surge-Free Operation**
- **Adjustable Pressure Settings, Not Affected by Pressure At Valve Discharge**
- **Now Available in Grooved Ends Sizes 3"-6"**

The Cla-Val Model 50B-4KG1 Globe / 2050B-4KG1 Angle Pressure Relief Valve is designed specifically to automatically relieve excess pressure in fire protection pumping systems. Pilot controlled, it maintains constant system pressure at the pump discharge within very close limits as demands change. The 50B-4KG1 and 2050B-4KG1 can be supplied with optional internal and external epoxy coating of the main valve wetted surfaces. On ductile iron valves, epoxy coating is standard.

UL/ULC Listed ..... Sizes 3" thru 8"  
FM Approved ..... Sizes 3" thru 8"

### Typical Application



### Operation Sequence

At pump start, Cla-Val Relief Valve modulates to relieve excess pump capacity, maintaining positive system pressure at the pump discharge.

When fire demand slows or ceases, Cla-Val Model 50B-4KG1 opens, diverting entire pump output to discharge, allowing fire pump to be stopped without causing surges in the lines.

Please note that if the Model 50B-4KG1 is to be used on a continuous duty basis to maintain fire-system pressure, suitable back pressure must be provided on the valve to prevent cavitation damage. Consult the factory for details.

For anti-cavitation model, see E-50B-4KG1KOL.

#### Optional UL Listed Materials for Seawater and Severe Service Applications:

- Nickel Aluminum Bronze (NAB) - ASTM B148 Alloy C95800
- Monel - QQ-N-288 Comp B - ASTM A494 Grade M30H
- Cast Steel - ASTM A216 Grade WCB
- **316 Stainless Steel - ASTM A743 Grades CF3M and CFM8**
- Super Austenitic Stainless Steel - ASTM A351 Grade CK3MCuN (SMO 254)
- Super Duplex Stainless Steel - ASTM A890 Grade 5A (CE3MN)

**"Fluid Control at its Best"**

## Dimensions

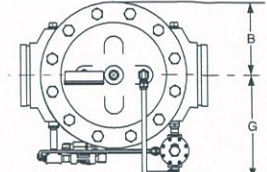
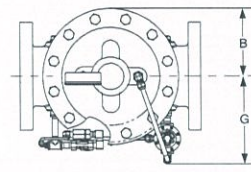
Valve Size (inches)	3"	4"	6"	8"
A Threaded Ends	12.50	---	---	---
A 150 Flanged	12.00	15.00	20.00	25.38
A 300 Flanged	13.25	15.62	21.00	26.38
A 300 X 150	12.88	15.31	20.56	25.88
A Grooved End	12.50	15.00	20.00	25.38
B	4.56	5.75	7.88	10.00
C	13.38	14.84	16.41	18.25
D	2.56	3.19	4.31	5.16
D Grooved End	3.62	4.50	6.31	7.81
E Threaded Ends	6.25	---	---	---
E 150 Flanged	6.00	7.50	10.00	12.69
E 300 Flanged	6.38	7.81	10.50	13.19
E Grooved End	---	7.50	10.00	---
F Threaded Ends	4.50	---	---	---
F 150 Flanged	4.00	4.97	6.00	8.00
F 300 Flanged	4.38	5.28	6.50	8.50
F Grooved End	---	5.00	6.00	---
G Flanged	7.91	10.00	10.65	11.41
G Grooved End	9.28	10.00	11.66	13.10
H Flanged	9.66	10.50	11.16	16.66
H Grooved End	---	10.41	11.16	---

Valve Size (mm)	80	100	150	200
A Threaded Ends	318	---	---	---
A 150 Flanged	305	381	508	645
A 300 Flanged	337	397	533	670
A 300 X 150	327	389	522	657
A Grooved End	318	381	508	645
B	116	146	200	254
C	340	377	417	464
D	65	81	109	131
D Grooved End	92	114	160	198
E Threaded Ends	159	---	---	---
E 150 Flanged	152	191	254	322
E 300 Flanged	162	198	267	335
E Grooved End	---	191	254	---
F Threaded Ends	114	---	---	---
F 150 Flanged	102	126	152	203
F 300 Flanged	111	134	165	216
F Grooved End	---	127	152	---
G Flanged	201	254	271	290
G Grooved End	236	254	296	333
H Flanged	245	267	283	423
H Grooved End	---	264	283	---

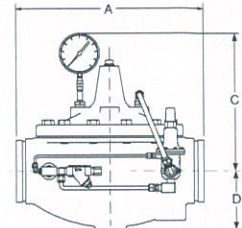
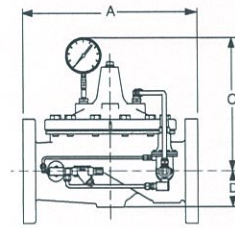
## Valve Capacity

Valve Sizes in Inches:	3"	4"	6"	8"
NFPA 20 Maximum	500	1000	2500	5000

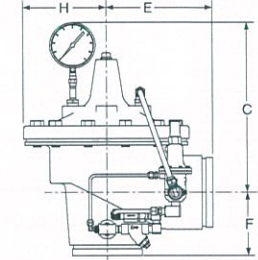
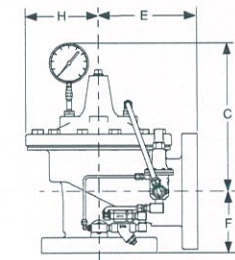
All Sizes UL, FM and ULC



Model 50B-4KG1 Globe



Model 2050B-4KG1 Angle



We recommend providing adequate space around valve for maintenance work.

## Specifications:

**Sizes** Globe: 3" - 8" flanged or grooved  
 Angle: 3" - 8" flanged  
 Angle: 3" - 6" grooved

**End Details** 150, 300 ANSI B16.42 and Grooved Ends

**Pressure Ratings** Class 150 (250 psi Max)  
 Class 300 (300 psi Max)

Water to 180°F Max.

**Standard Materials** **Main Valve Body & Cover:**  
 Ductile Iron ASTM A536 Grade 65-45-12

**Standard Main Valve Trim:**  
 Stainless Steel Seat  
 Stainless Steel Dura-Kleen Stem

**Standard Pilot Control System:**  
 Cast Bronze with  
 Stainless Steel Trim

**Adjustment Range** Available in the Following Relief  
**Pressure Ranges:**

20-200 psi (150 Class)  
 100-300 psi (300 Class)

## Specifications: Seawater Service Option

**Sizes** Globe: 3" - 8" flanged or grooved  
 Angle: 3" - 8" flanged  
 Angle: 3" - 6" grooved

Consult factory for flange ratings.

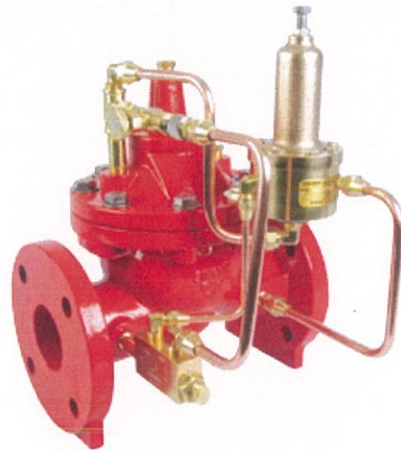
See page 1 for seawater service materials options.

# Model 106-RPS-8700A UL / FM Pressure Relief Valve



## KEY FEATURES

- **UL** listed to ANSI/UL 1478A FM approved to FM 1361
- Reliable diaphragm actuated
- Hydraulically operated design
- Class 150 and 300 flanges
- Stainless steel fasteners
- Heat fused red epoxy coating
- Available in globe and angle style

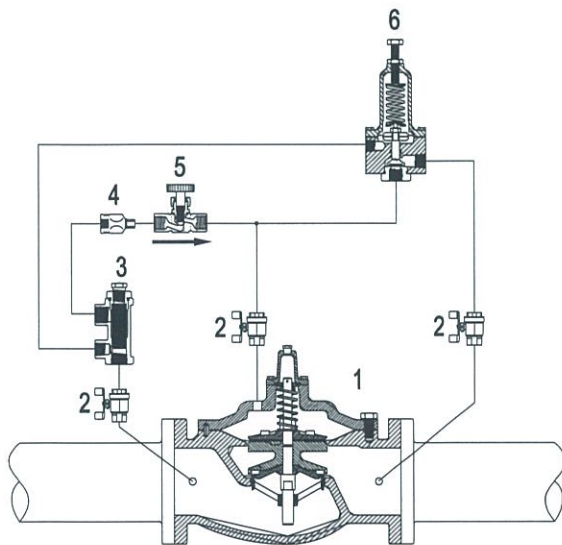


## PRODUCT OVERVIEW

The 106-RPS-8700A pressure relief valve, which is UL / FM labelled and listed, automatically relieves excess pressure in the fire protection system to discharge. The RPS series valves will also automatically modulate to relieve excess pump capacity during pump start up and shut down, allowing the pump to operate without causing surges.

These relief valves are based on the 106-PG or A106-PG main valves and come in complete range of sizes from 2 1/2 in / 65 mm to 8 in / 200 mm. In typical pressure relief application, the angle style A106-RPS-8700A is often the preferred selection.

## SCHEMATIC DRAWING



Schematic A-8700A

1. Main Valve - 106-PG, or A106-PG, Flanged 2 1/2 in / 65 mm to 8 in / 200 mm
2. Isolation Valve - lockable (Optional)
3. Strainer - standard 4 in / 100 mm and larger
4. Fixed Restriction- 1/8 in / 3.2 mm
5. Model 852-B Closing Speed Control
6. Model 81-RP pilot - 30 to 200 psi / 2.07 to 13.8 bar - optional 100 to 300 psi / 6.9 to 20.7 bar

## STANDARD MATERIALS

Standard materials for pilot system components are:

- ASTM B62 bronze or ASTM B16 brass
- AISI 303 / 316 stainless steel trim
- Buna-N / EPDM diaphragm and seals

For dimensions see pages 26-27.

SINGERVERVALVE.COM  
2017.1

# Model 106-PG – UL/FM Relief & ULC Reducing Only

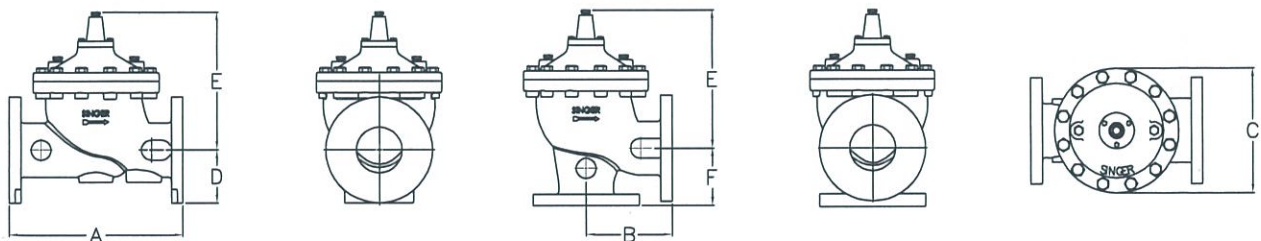
## Full Port, Single Chamber, Hydraulically Operated Valve

### ANSI Valve Data (Metric Units)

Size	DWG	Stnd	Flat Diaphragm System					
mm	REF	ANSI	50 mm	65 mm	80 mm	100 mm	150 mm	200 mm
<b>Globe Dimensions</b>			All figures show in mm unless otherwise stated					
Lay Length	A	FNPT	238	279	343	-	-	-
Centerline to Bottom	D	FNPT	70	86	93	-	-	-
Lay Length	A	150F	238	279	305	381	508	645
Centerline to Bottom	D	150F	76	89	95	117	142	200
Lay Length	A	300F	254	295	337	397	533	670
Centerline to Bottom	D	300F	83	95	105	129	161	200
<b>Angle Dimensions</b>								
Center Inlet to Discharge	B	FNPT	119	140	168	-	-	-
Center Discharge to Inlet	F	FNPT	83	102	118	-	-	-
Center Inlet to Discharge	B	150F	121	140	154	191	254	324
Center Discharge to Inlet	F	150F	83	102	103	127	152	203
Center Inlet to Discharge	B	300F	127	149	163	200	267	337
Center Discharge to Inlet	F	300F	89	109	113	135	165	216
<b>Common Dimensions (Globe &amp; Angle)</b>								
Width	C		165	208	235	276	425	549
Height (to stem cap) Globe	E		121	191	203	232	298	379
Height (to stem cap) Angle	E		121	191	203	232	298	379
Body Port Tapping	FNPT	in	3/8	3/8	3/8	3/8	3/8	1/2
Stem Cap Plug	MNPT	in	3/8	3/8	3/8	3/8	3/8	3/8
Cover Port Tapping	FNPT	in	3/8	3/8	3/8	3/8	1/2	1/2
Valve Stroke		mm	14	25	29	37	43	73
Displaced Bonnet Volume (Litres)			0.1	0.3	0.3	0.8	2.1	6.3
Approximate Shipping Weight (Kilograms)			18	29	45	79	181	295
<b>Flow Capacities (L/s) Globe &amp; Angle</b>								
Kv - Globe			13	19	26	47	110	190
Kv - Angle			15	21	32	55	127	225
Continuous (Globe)			13	19	29	50	114	196
Intermittent (Globe)			16	24	36	63	142	244
Momentary (Globe)			30	42	65	114	252	442
<b>Maximum Pressure Ratings (Ductile Only)</b>								
Bar <sup>1</sup>		FNPT	27.6	27.6	27.6	-	-	-
Bar		150F	17	17	17	17	17	17
Bar <sup>1</sup>		300F	27.6	27.6	27.6	27.6	27.6	27.6
<b>Maximum Temperature</b>								
Celcius			82°	82°	82°	82°	82°	82°

\*UL/FM Relief Rated to 20.7 bar

<sup>1</sup>Valves rated and stamped 27.6 bar as standard. Valves rated and stamped 41 bar on request.



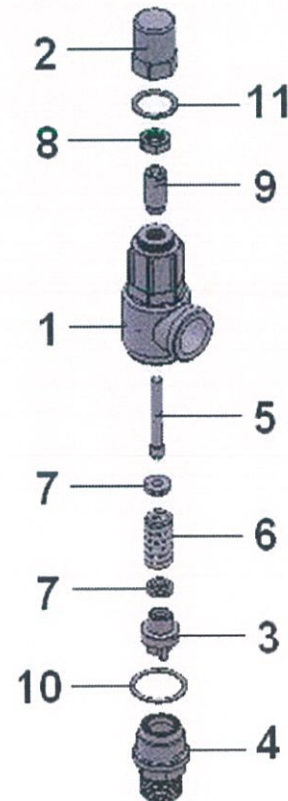
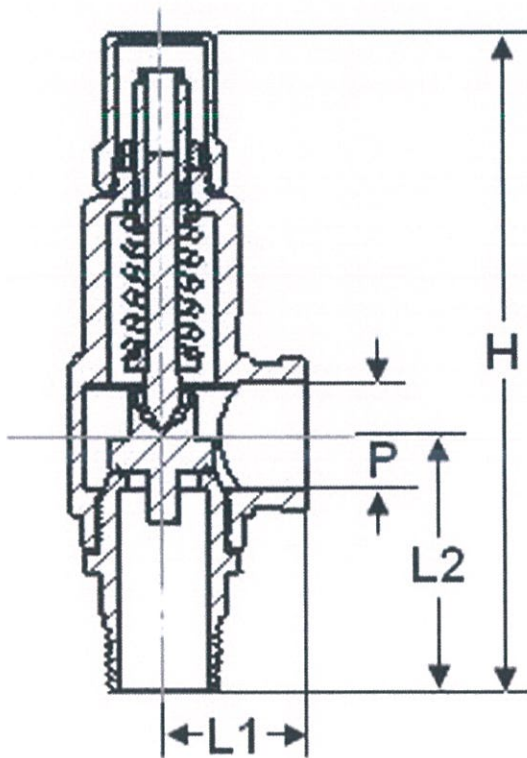
## Dimension in mm (Screwed End)

SIZES		P	L1	L2	H	WT. (KG)
DN	in.					
15	1/2	1"	42	67	181	1.14
20	3/4	1"	42	68	182	1.16
25	1	1"	42	73	187	1.18
32	1.1/4	2"	68	102	265	4.40
40	1.1/2	2"	68	102	265	4.37
50	2	2"	68	101	263	4.39

## Technical Data

### Material

No.	PART	QTY.	MATERIAL
1	BODY	1	SUS 316
2	CAP	1	SUS 316
3	DISC	1	SUS 316
4	SEAT	1	SUS 316
5	SPINDLE	1	SUS 304
6	SPRING	1	SUS 304
7	SPRING SEAT	2	SUS 304
8	ADJUSTABLE NUT	1	SUS 304
9	THREAD ROD	1	SUS 304
10	PACKING	1	PTFE
11	PACKING	1	PTFE



**Design Standard:** BS 21 (BSPT) - Screwed Ends

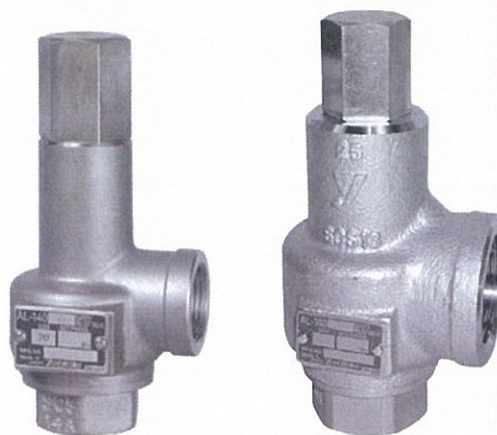
Features	Type 150 psi	Type 300 psi
Working Pressure	150 psi (10 kgf/cm <sup>2</sup> )	300 psi (21 kgf/cm <sup>2</sup> )
Working Temperature	-20°C ~ 260°C	
Working Fluid	Gas, Steam & Liquid	



# AL-140, 140H



- Full bore type
- Lift type
- Safety valve
- Relief valve
- Safety relief valve
- Lever type
- Closed type
- Dash-pot structure
- Handle type
- Stainless
- High pressure gas testing products
- Diaphragm
- Non-leakage



AL-140

AL-140H

3  
Safety Relief Valve

## Features

1. Safety relief valve of all stainless steel made. Used for the trim parts is SCS14A (equivalent to SUS316) with outstanding corrosion resistance.
2. Popping structure ensures reliable discharge.
3. Simple structure and easy to handle.
4. Closed structure prevents fluid leakage.

## Specifications

Model	AL-140	AL-140H
Structure	Closed type	
Application	Steam, Air, Cold and hot water, Oil, Other non-dangerous fluids	
Working pressure	0.05-1.0 MPa	1.0-2.0 MPa
Maximum temperature	220°C *	
Material	Spring case	Cast stainless steel
	Valve, valve seat	Cast stainless steel (SCS14A)
Connection	JIS Rc screwed	

\* The maximum temperature is 150°C when using for water, oil, or other liquids.

· Please refer to the chart in P.3-76 for set pressure range.

## Dimensions and Weights

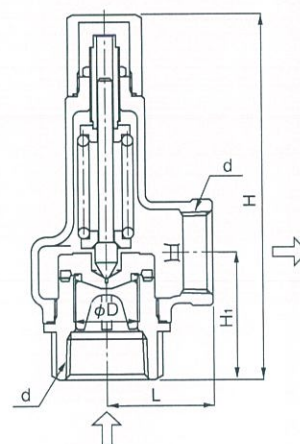
### AL-140

Nominal size	Dimension (mm)					Flow area $\pi D L$ (mm <sup>2</sup> )	Weight (kg)
	d	D	L	H <sub>1</sub>	H		
15A	Rc 1/2	16	34	40	128.5	20.1	0.7
20A	Rc 3/4	21	38	42	129	34.6	0.8
25A	Rc 1	26	43	51	148	53.0	1.1
32A	Rc 1-1/4	33	50	61.5	182	93.3	2.0
40A	Rc 1-1/2	41	60	64	206	135.2	3.0
50A	Rc 2	51	75	76	246.5	208.2	5.0

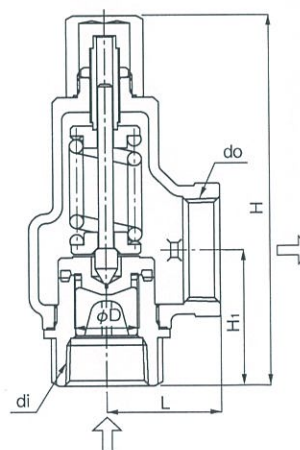
### AL-140H

Nominal size	Dimension (mm)					Flow area $\pi D L$ (mm <sup>2</sup> )	Weight (kg)
	di x D x do	L	H <sub>1</sub>	H			
15A	Rc 1/2 x 16 x Rc 3/4	36	42	126.5	20.1	0.9	
20A	Rc 3/4 x 21 x Rc 1	38	46	130.5	34.6	1.0	
25A	Rc 1 x 26 x Rc 1-1/4	46	55	150.5	53.0	1.5	
32A	Rc 1-1/4 x 33 x Rc 1-1/2	54	61.5	195	93.3	2.5	
40A	Rc 1-1/2 x 41 x Rc 2	63	67	227.5	135.2	4.6	
50A	Rc 2 x 51 x Rc 2-1/2	77	80	303.5	208.2	8.8	


· The nominal size and size of screwed end connection are different. The size of screwed end connection have to be one size bigger.



AL-140



AL-140H

	<b>PT. KOMIPO PEMBANGKITAN JAWA BALI</b> <b>PLTU TANJUNG JATI B UNIT 3&amp;4</b>	Doc. Ref	: KPJB-0951-02
		Form No.	: KPJB-0951-02-ZZ-FM-22
<b>TERM OF REFERENCE</b>		Design Div.	: Finance and Administration
		Revision No.	: 02

### 1. Background

The spare parts will be provided to equipment as follow:

Name : Fire Fighting Equipment Pressure and Safety Relief Valve  
Brand : Open Brand

### 2. Spare Part Data

2.1. System :

- Fire Fighting System

2.2. Equipment :

- Diesel Fire Pump Safety Valve-201 (00FWP-SFV201)
- Pressure Reducing Valve Inlet-101 (00FF-PRV101)
- Pressure Reducing Valve Safety Valve-101 (00FF-SFV101)
- Deluge Valve Set Safety Valve-001A (00FWP-SFV001A)
- Deluge Valve Set Safety Valve-001B (00FWP-SFV001B)
- Electric Fire Pump Safety Valve-101 (00FWP-SFV101)

2.3. Spare Part Group :

- Overhaul
- PM & PdM
- Run to Failure
- Strategic Spare Parts
- PMS / TPC

2.4. Usage Plan :

Replace as soon as possible when material received on warehouse PT. KPJB

2.5. Description :

No.	Item ID	Description	Qty	Unit
1	224234	VALVE,SAFETY RELIEF, UL / FM, GLOBE TYPE PRESSURE RELIEF VALVE, ANSI 150#FLANGES, RATED PRESSURE : MIN 250PSI, SIZE : 6 INCH, MATERIAL: SUS 316 OR CF8M, FACE TO FACE : 508 MM	1	pcs
2	224235	VALVE,SAFETY RELIEF, TYPE: CLOSED LIFT, BODY MATERIAL: SCS14A, PRESSURE RANGE: 1-2.0 MPA, END CONNECTION: THREADED IN AND OUT, SIZE: 3/4 INCH	5	pcs

### 3. Work Scope

Material Supply only

### 4. CSMS Risk Level:

- 1. Low
- 2. Moderate
- 3. High
- 4. Very High
- 5. Extreme

### 5. Bidder Qualification

-

	<b>PT. KOMIPO PEMBANGKITAN JAWA BALI PLTU TANJUNG JATI B UNIT 3&amp;4</b>	Doc. Ref	: KPJB-0951-02
		Form No.	: KPJB-0951-02-ZZ-FM-22
<b>TERM OF REFERENCE</b>		Design Div.	: Finance and Administration
		Revision No.	: 02

## 6. Delivery of material and/or services

6.1. Required date is **1 December 2025**

6.2. Delivery point is KPJB, PLTU Tanjung Jati B Unit 3&4, Jepara, Central Java.

## 7. Requirement of Documents

Within delivery the materials, supplier should submit documents as follow:

7.1. Original or Electronic COM issued by manufacturer

7.2. COO from Chamber of Commerce

7.3. Warranty letter for 1 year from Supplier

## 8. Technical Specification

8.1. All of technical specification should be comply with determined specification, cannot be changed, no crack, should be new 100%, genuine, no defect, and can be used properly.

8.2. In the case PT KPJB decline the delivered material, supplier should replace the material. If supplier can't replace it, they will be penalized in accordance to General Term & Condition (GTC) of the PO.

## 9. Acceptance Criteria

9.1. Delivery time is complied

9.2. All delivered materials are accordance to PO requirement, specification and condition of the TOR

9.3. All of required document are fulfilled

## 10. Standard of Quality

10.1. UL listed or FM approved

## 11. Warranty

Generally if there isn't mentioned at other clause, supplier should warrant the material for 1 year after material being receiving by PT. KPJB.

## 12. Material Technical Data Sheet

- **Diesel Fire Pump PRV**

Brand : -

Model / Type : Globe PRV Model / Flanged type

Size : 6 Inch / DN150

Class : ANSI #150

Rated pressure : 250 Psi minimum

Material : 316 Stainless Steel or CF8M

Face to face : 508 mm

- **Fire Fighting Pipe Safety Relief Valve**

Brand : -

Model / Type : Screwed Safety Relief Valve model / Closed Lift type


Size : 3/4 Inch / DN20

Rated pressure : 1 ~ 2.0 Mpa / 300 Psi

Valve Body Material : SUS316 / Cast Stainless Steel SCS14A

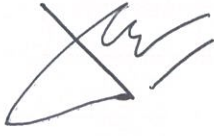


Connection : Threaded / Screwed


## 13. Picture and Drawing (attached)

	<b>PT. KOMIPO PEMBANGKITAN JAWA BALI</b> <b>PLTU TANJUNG JATI B UNIT 3&amp;4</b>	Doc. Ref	: KPJB-0951-02
	<b>TERM OF REFERENCE</b>	Form No.	: KPJB-0951-02-ZZ-FM-22
Design Div.		: Finance and Administration	
Revision No.		: 02	

**14. Others**


14.1. Aanwijzing Process is needed

Prepared by	Checked by	Approved by
		
<u>Tito Yanuar S.</u> Mechanical Staff	<u>Agus Widodo</u> Turbine Leader	<u>Lim Hyung Chul</u> Mechanical Manager
Date : 11/06/25	Date : 11/06/2025	Date :

	<b>PT. KOMIPO PEMBANGKITAN JAWA BALI</b>	Doc. Ref	: KPJB-0951-02
	<b>PLTU TANJUNG JATI B #UNIT 3&amp;4</b>	Form No.	: KPJB-0951-02-ZZ-FM-03
	<b>REQUEST FOR QUOTATION</b>	Design Div.	: Finance and Administration
		Revision No.	: 00

Date	RFQ No:	PRF No:
November 26, 2025	K19383	K19383
SUBJECT : The Purchasing of Safety Relief Valve		

KPJB on behalf of PT. PLN hereby request your quotation for material/services below :

No	Item Code	Description	No		Item Code
			Qty	Unit	
As per the attachment					
<ul style="list-style-type: none"> <li>The quotation shall be submitted in one sealed envelope containing both the priced and unpriced proposals, addressed to Procurement Team, F&amp;A Division PT. KPJB. The original documents should be received by KPJB not later than 11.00 WIB date <u>11 DEC 2025</u> by registered mail or direct submission after PLTU Tanjung Jati B security check and registration.</li> <li>Aanwijzing will be held in KPJB on <u>01 DEC 2025</u>.</li> <li>Validity of Quotation price should be minimum 3 months.</li> <li>Prices and detailed information should be specified about the materials and services in the quotation by strictly following the quotation form attached hereto.</li> <li>Payment will be made by Telegraphic Transfer (T/T) within forty five (45) days after invoice received, attached with delivery or work completion report (Invoice, Good receive form, MOV, BAPP, etc.) issued by PT. KPJB.</li> <li>Warranty period is 12 months (365 calendar days).</li> <li><b>Delivery time: not later than December 1, 2025</b></li> <li><b>Delivery should be completed to PT. KPJB's warehouse, PLTU Tanjung Jati B Unit #3&amp;4.</b></li> <li><b>Certificate should be submitted at the delivery time: Original Certificate of Origin</b> (issued by the chambers of commerce) <b>and Certificate of Manufacture</b> (issued by manufacture) are <b>required at the delivery time.</b></li> <li>Warranty letter that state "The material is genuine, no defect, new and can be used properly" should be submitted at the time of delivery.</li> <li>All documents and communications shall be in English.</li> <li>All terms and conditions of this contract must be subject to and governed by PT. KPJB's Terms and Conditions for Contract attached hereto.</li> <li>In case of hazardous material, Material Safety Data Sheets (MSDS) and other related document for hazardous material shall be submitted at the time of delivery.</li> <li>For hand powered tools / powered tools: must be attached with tools certificate from manufacturer.</li> <li>For chemicals: All material delivery must be completed with symbol &amp; label as required on regulation in every containers/other packaging.</li> </ul>					
For service: All personnel must have appropriate certification as required on local HSE Regulation.					
Sincerely Yours,					
 <b>Hendang Suroso</b> <b>F&amp;A. Manager</b>					
<b>Date</b>					

Attachment :

1. Material list
2. Quotation format
3. Unprice document required
4. KPJB Contractor Safety Rules
5. PT. KPJB's General Terms and Conditions for Contract
6. Pakta Integritas Form
7. Term of Reference

	<b>PT. KOMIPO PEMBANGKITAN JAWA BALI</b>	Doc. Ref	: KPJB-0951-02
	<b>PLTU TANJUNG JATI B #UNIT 3&amp;4</b>	Form No.	: KPJB-0951-02-ZZ-FM-03
	<b>REQUEST FOR QUOTATION</b>	Design Div.	: Finance and Administration
		Revision No.	: 00

Attachment 1: RFQ No. K19383

### MATERIAL LIST

Item No	Item Code	Description	Quantity	
			Order	Unit
1	224234/	VALVE,SAFETY RELIEF, UL / FM, GLOBE TYPE PRESSURE RELIEF VALVE, ANSI 150#FLANGES, RATED PRESSURE : MIN 250PSI, SIZE : 6 INCH, MATERIAL: SUS 316 OR CF8M, FACE TO FACE : 508 MM	1,00	PC
2	224235/	VALVE,SAFETY RELIEF, TYPE: CLOSED LIFT, BODY MATERIAL: SCS14A, PRESSURE RANGE: 1-2.0 MPA, END CONNECTION: THREADED IN AND OUT, SIZE: 3/4 INCH	5,00	PC

	<b>PT. KOMIPO PEMBANGKITAN JAWA BALI</b>	Doc. Ref	: KPJB-0951-02
	<b>PLTU TANJUNG JATI B #UNIT 3&amp;4</b>	Form No.	: KPJB-0951-02-ZZ-FM-03
	<b>REQUEST FOR QUOTATION</b>	Design Div.	: Finance and Administration
		Revision No.	: 00

Attachment 2: RFQ No. K19383

Quotation format

A. Price Quotation

<COMPANY LOGO>

**Quotation**

**No:**


Item No	Item Code	Description	Quantity		Price (IDR)	
			Order	Unit	Unit Price	Total
1	224234/	VALVE,SAFETY RELIEF, UL / FM, GLOBE TYPE PRESSURE RELIEF VALVE, ANSI 150#FLANGES, RATED PRESSURE : MIN 250PSI, SIZE : 6 INCH, MATERIAL: SUS 316 OR CF8M, FACE TO FACE : 508 MM	1,00	PC		
2	224235/	VALVE,SAFETY RELIEF, TYPE: CLOSED LIFT, BODY MATERIAL: SCS14A, PRESSURE RANGE: 1-2.0 MPA, END CONNECTION: THREADED IN AND OUT, SIZE: 3/4 INCH	5,00	PC		
		<b>TOTAL</b>				
		<b>VAT 11%</b>				
		<b>GRAND TOTAL</b>				

..... rupiah (Please mention the price in words)

Term and Conditions:

1. The above price are included delivery cost to warehouse of PT. KPJB
2. Please mention Certificate is required at the delivery time
3. Payment will be made by Telegraphic Transfer (T/T) within forty five (45) days after invoice received, attached with delivery or work completion report issued by PT.KPJB.
4. Please mention Bank Account that will be use for payment (including Bank Name, Bank Address)
5. Please mention Name of Director

Place, [Month] [Date] [Year]  
SIGN & COMPANY STAMP  
DUTY STAMP / MATERAI (10000)  
Name  
(Title)

	<b>PT. KOMIPO PEMBANGKITAN JAWA BALI</b>	Doc. Ref	: KPJB-0951-02
	<b>PLTU TANJUNG JATI B #UNIT 3&amp;4</b>	Form No.	: KPJB-0951-02-ZZ-FM-03
	<b>REQUEST FOR QUOTATION</b>	Design Div.	: Finance and Administration
		Revision No.	: 00

B. Unpriced Quotation

<COMPANY LOGO>

**Quotation**

**No:**


Item No	Item Code	Description	Quantity		Delivery Time
			Order	Unit	
1	224234/	VALVE,SAFETY RELIEF, UL / FM, GLOBE TYPE PRESSURE RELIEF VALVE, ANSI 150#FLANGES, RATED PRESSURE : MIN 250PSI, SIZE : 6 INCH, MATERIAL: SUS 316 OR CF8M, FACE TO FACE : 508 MM	1,00	PC	
2	224235/	VALVE,SAFETY RELIEF, TYPE: CLOSED LIFT, BODY MATERIAL: SCS14A, PRESSURE RANGE: 1-2.0 MPA, END CONNECTION: THREADED IN AND OUT, SIZE: 3/4 INCH	5,00	PC	

**Term and Conditions:**

1. The above price are included delivery cost to warehouse of PT. KPJB
2. Please mention Certificate is required at the delivery time
3. Payment will be made by Telegraphic Transfer (T/T) within forty five (45) days after invoice received, attached with delivery or work completion report issued by PT.KPJB.
4. Please mention Bank Account that will be use for payment (including Bank Name, Bank Address)
5. Please mention Name of Director

Place, [Month] [Date] [Year]  
SIGN & COMPANY STAMP

Name  
(Title)

	PT. KOMIPO PEMBANGKITAN JAWA BALI	Doc. Ref	: KPJB-0951-02
	PLTU TANJUNG JATI B #UNIT 3&4	Form No.	: KPJB-0951-02-ZZ-FM-03
	REQUEST FOR QUOTATION	Design Div.	: Finance and Administration
		Revision No.	: 00

Attachment 3: RFQ No. K19383

(KOP PERUSAHAAN/BADAN/LEMBAGA)

**PAKTA INTEGRITAS**

Saya yang bertanda tangan di bawah ini, dalam rangka Pengadaan ..... (*diisi Nama Pengadaan*) dengan nomor ..... (*diisi nomor RFQ/PR*), pada satuan kerja PT KPJB yang dalam hal ini mewakili PT PLN (Persero) Unit Induk Pembangkitan Tanjung Jati B Jepara dengan ini menyatakan bahwa saya:

- 1. Akan mentaati peraturan tentang Pedoman Pengadaan Barang/Jasa di Lingkungan PT KPJB dan PT PLN (Persero), dan peraturan perundang-undangan yang terkait dengan pengadaan;
- 2. Tidak akan melakukan persengkokolan/pengaturan/kerjasama diantara para Peserta Pengadaan/Jasa lain dan/atau Pengguna Barang/Jasa dan/atau Pelaksana Pengadaan yang dapat mengakibatkan terjadinya persaingan usaha tidak sehat;
- 3. Mendukung prinsip **4 NO's** yang dijunjung tinggi oleh PT KPJB dan PT PLN (Persero) yaitu:
  - a. **No Bribery** (tidak boleh ada suap menyuap dan pemerasan)
  - b. **No Kickback** (tidak boleh ada komisi, tanda terimakasih baik dalam bentuk uang dan dalam bentuk lainnya);
  - c. **No Gift** (tidak boleh ada hadiah atau gratifikasi yang bertentangan dengan peraturan
  - d. **No Luxirious Hospitality** (tidak boleh ada penyambutan dan jamuan yang berlebihan).
- 4. Tidak akan melakukan komunikasi yang mengarah dan/atau melakukan praktek Korupsi, Kolusi dan Nepotisme (KKN)
- 5. Akan melakukan proses pengadaan secara bersih dan transparan agar menghasilkan pekerjaan sesuai ketentuan peraturan perundang-undangan yang berlaku.

Apabila saya melanggar hal-hal yangtelah saya nyatakan dalam Pakta Integritas ini, saya bersedia dikenakan sanksi sesuai dengan ketentuan peraturan perundang-undangan yang berlaku.

\_\_\_\_\_ [Tempat], \_\_\_\_\_ [Tanggal]

[Tanda Tangan & Cap Perusahaan & Materai 10.000]

\_\_\_\_\_ [Nama Jelas]

\_\_\_\_\_ [Jabatan]

	PT. KOMIPO PEMBANGKITAN JAWA BALI	Doc. Ref	: KPJB-0951-02
	PLTU TANJUNG JATI B #UNIT 3&4	Form No.	: KPJB-0951-02-ZZ-FM-03
	REQUEST FOR QUOTATION	Design Div.	: Finance and Administration
		Revision No.	: 00

Attachment 4: RFQ No. K19383

(KOP PERUSAHAAN/BADAN/LEMBAGA)

### SURAT PERNYATAAN KEASLIAN DOKUMEN

Yang bertanda tangan di bawah ini :

Nama :

abatan :

Alamat :

Sehubungan dengan pekerjaan :

Judul Pekerjaan :

RFQ No. :


Menyatakan dengan sesungguhnya bahwa segala dokumen yang kami sampaikan adalah benar dan apabila dikemudian hari ditemukan bahwa dokumen – dokumen yang telah kami sampaikan tidak benar dan ada pemalsuan, maka kami bersedia dikenakan sanksi sesuai peraturan perundang – undangan yang berlaku.

\_\_\_\_\_ [Tempat], \_\_\_\_\_ [Tanggal]

[Tanda Tangan & Cap Perusahaan & Materai 10.000]

\_\_\_\_\_ [Nama Jelas]

\_\_\_\_\_ [Jabatan]

	<b>PT. KOMIPO PEMBANGKITAN JAWA BALI</b>	Doc. Ref	: KPJB-0951-02
	<b>PLTU TANJUNG JATI B #UNIT 3&amp;4</b>	Form No.	: KPJB-0951-02-ZZ-FM-03
	<b>REQUEST FOR QUOTATION</b>	Design Div.	: Finance and Administration
		Revision No.	: 00

Attachment 5: RFQ No. K19383

### Unprice Document Required

No.	Syarat Administrasi (Administration Requirement)
<b>A.</b>	
1	Asli Surat Penawaran (Original Unprice quotation) yang:
	1. Description sesuai permintaan
	2. Bertanggal (dated)
	3. Bertanda tangan dan Cap Perusahaan (Company stamped)
	4. Menyebutkan waktu pengiriman sampai gudang sesuai permintaan (Time Delivery)
2	Pengalaman Pekerjaan dengan total harga kontrak senilai minimal IDR 50.000.000 – <b>menyerahkan copy kontrak atau PO</b> (Work Experience for contract amount minimum IDR 50.000.000 – <b>submitting the copy of the contract or PO</b> )
3	Copy pembayaran pajak SSP (PPN) 3 bulan terakhir periode: June, July, August 2025 (Copy of 3 month payment tax period of: June, July, August 2025)
4	Original Pakta Integritas
5	Surat Pernyataan Keaslian Dokumen
6	Vendor participants must have registered CSMS Certificate (minimum: Low Risk Level) issued by PT. PLN (Persero) - submitting the copy of the document
<b>B.</b>	
1	Copy Surat Ijin Usaha Perusahaan – SIUP / BKPM (PMA) (copy of Business License )
2	Copy Surat Ijin Tempat Usaha – SITU / DOMISILI / HO (Copy of Domicile Certificate)
3	Copy Nomor Pokok Wajib Pajak - NPWP (Copy Tax ID number of company)
4	Copy Surat Pengukuhan Perusahaan Kena Pajak - SPPKP (Copy of Taxable Company Certificate)
5	Copy Tanda Daftar Perusahaan – TDP / NIB (Copy of Certificate Company Registration)
6	Copy Akte pendirian perusahaan/perubahan *jika ada (Deed of Incorporation)

**Note: Administration Requirement point B 1-6 is not required to be submitted if your company already registered in our SAP and the Company data submitted still valid until closing time. If any document not submitted by the suppliers or the submitted document do not meet the requirement, we will regard that the supplier fails and we will not open the price quotation document (price evaluation)**

*Catatan: Syarat Administrasi no. B 1-6 tidak perlu di kirimkan jika perusahaan anda sudah terdaftar di SAP kami dan data yang dahulu di kirimkan masih berlaku sampai dengan waktu penutupan bidding. Jika ada dokumen yang tidak diserahkan atau dokumen yang diserahkan tidak sesuai dengan persyaratan, kami akan menganggap bahwa supplier gagal dan kami tidak akan membuka dokumen penawaran harga (evaluasi harga).*



**PT. KOMIPO PEMBANGKITAN JAWA BALI  
PLTU TANJUNG JATI B #UNIT 3&4**

**REQUEST FOR QUOTATION**

Doc. Ref	: KPJB-0951-02
Form No.	: KPJB-0951-02-ZZ-FM-03
Design Div.	: Finance and Administration
Revision No.	: 00

TERMS AND CONDITION

Lampiran

PO NO :

Description :

**SYARAT - SYARAT DAN KONDISI**

**KETENTUAN UMUM**

Singkatan dan istilah umum :

"**Purchase Order/PO**" adalah Surat Pesanan Pembelian (*Purchase Order* atau *PO*).

"**ASET OPERATOR**" adalah PT Komipo Pembangkitan Jawa Bali (PT. KPJB)

"**PLN TJB**" adalah PT PLN (Persero) Unit Induk Pembangkitan Tanjung Jati B.

"**PPN**" adalah Pajak Pertambahan Nilai.

**1. SURAT MENYURAT**

Setiap surat menyurat harus menggunakan Kop Surat Perusahaan yang mencantumkan Nomor *Purchase Order/PO* , Nomor Surat Penawaran, Tanggal dan ditandatangani di atas meterai oleh Penyedia Barang/Jasa (oleh Direktur atau yang dikuasakan berdasarkan Anggaran Dasar Perusahaan), dan dialamatkan kepada: **ASET OPERATOR**, Procurement, Jepara.

Korespondensi antara **ASET OPERATOR** dan Penyedia Barang/Jasa dapat dilaksanakan melalui surat, faksimili, atau *e-mail* dan ditujukan kepada alamat masing-masing Pihak sebagaimana yang tercantum dalam *Purchase Order/PO*.

Salah satu Pihak dapat mengganti alamat, nomor telepon, faksimili dan/atau *E-mail* dengan memberikan pemberitahuan terlebih dahulu kepada Pihak lainnya.

**2. PROSES PENGADAAN**

Proses Pengadaan diadakan dengan sistem yang diputuskan oleh **ASET OPERATOR Procurement** dan **PLN TJB**, dimana prosedur yang berlaku yaitu sebagai berikut:

2.1 Penyedia Barang / Jasa yang diundang untuk Pengadaan adalah yang telah terdaftar di daftar Penyedia Barang/Jasa **ASET OPERATOR** dan telah disetujui oleh **PLN TJB** dengan diterbitkan "SAP CODE" oleh **PLN TJB**.

2.2 Menyerahkan Jaminan Penawaran untuk Surat Penawaran di atas Rp.500.000.000,- (Lima Ratus Juta Rupiah) dan/atau dipersyaratkan pada Undangan Pengadaan Barang / Jasa dengan nilai jaminan minimal 1% (satu persen) dan maksimal 3% (tiga persen) dari Harga Penawaran dari Penyedia Barang/Jasa termasuk PPN sesuai peraturan yang berlaku, kepada **ASET OPERATOR** dengan masa berlaku adalah 90 (Sembilan Puluh) hari kalender terhitung dari tanggal yang tertera di Surat Penawaran Harga. Jaminan Penawaran Harus diterbitkan oleh Bank sesuai dengan Daftar Penyedia Jaminan Terseleksi (DPJT) PLN yang telah disetujui oleh **ASET OPERATOR** dan/atau **PLN TJB**.

2.3 Penyedia Barang/Jasa wajib memenuhi persyaratan yang diminta oleh **ASET OPERATOR Procurement** dan tercantum dalam Surat Penawaran Harga, yaitu sebagai berikut:

2.3.1 Jadwal Pengiriman/pekerjaan yang diajukan dalam Surat Penawaran Harga adalah dalam hitungan "**HARI KALENDER atau TANGGAL yang disepakati**".

2.3.2 Sertifikat dan/atau dokumen lainnya yang dipersyaratkan dalam permintaan barang/jasa yang akan diserahkan, maka harus tercantum dalam Surat Penawaran Harga dan itu adalah "**SERTIFIKAT/DOKUMEN ASLI**", kecuali ada ketentuan dan persetujuan lain yang disepakati Para Pihak (Penyedia Barang/Jasa dan **ASET OPERATOR Procurement**).

2.3.3 Harga Yang ditawarkan adalah dalam "**RUPIAH**" sesuai dengan peraturan yang berlaku, kecuali ada ketentuan dan persetujuan lain yang disepakati Para Pihak (Penyedia Barang/Jasa dan **ASET OPERATOR Procurement**).

2.3.4 Surat Penawaran Harga yang diserahkan ke **ASET OPERATOR Procurement** harus menggunakan kop surat resmi perusahaan, bertanggal, bermeterai dan ditandatangani oleh Penyedia Barang/Jasa (oleh Direktur atau yang dikuasakan berdasarkan Anggaran Dasar Perusahaan).

2.3.5 Masa berlaku Surat Penawaran Harga adalah 90 (Sembilan Puluh) Hari Kalender sejak tanggal Surat Penawaran Harga dibuat.

2.3.6 Syarat dan Kondisi penyerahan barang/jasa adalah "**DDP Tanjung Jati B**" (*incoterms* 2000), kecuali ada ketentuan dan persetujuan lain yang disepakati Para Pihak (Penyedia Barang/Jasa dan **ASET OPERATOR Procurement**).

2.3.7 Syarat dan Kondisi Pembayaran adalah 45 (empat puluh lima) Hari Kalender sejak barang/atau bukti penyelesaian pekerjaan dan dokumen lainnya yang dipersyaratkan dalam *Purchase Order/PO* lengkap diterima oleh **ASET OPERATOR** dan **PLN TJB**.

2.3.8 Penyedia Barang/Jasa dipersyaratkan mencantumkan kesanggupan untuk menerbitkan "**Surat Pernyataan Jaminan/Warranty Letter**", yang menyatakan bahwa barang yang dikirimkan adalah Asli, Baru dan Tidak ada cacat. *Purchase Order/PO* lengkap diterima oleh **ASET OPERATOR** dan dapat digunakan, dan ditandatangani di atas meterai oleh Penyedia Barang/Jasa (oleh Direktur atau yang dikuasakan berdasarkan Anggaran Dasar Perusahaan). Jika dipersyaratkan dalam *PO*

2.4 Surat Penawaran Harga dan Dokumen pengadaan lainnya yang telah diterima oleh **ASET OPERATOR Procurement** adalah mutlak milik **ASET OPERATOR Procurement** dan keputusan yang dibuat oleh **ASET OPERATOR Procurement Komite** adalah mutlak dan tidak dapat diganggu gugat.

2.5 Adapun Syarat dan Ketentuan lainnya yang ditetapkan terpisah adalah satu kesatuan dari Syarat –Syarat dan Kondisi pada lampiran 2.

**3. PERSETUJUAN PURCHASE ORDER/PO**

Sebagai konfirmasi persetujuan Pesanan atau syarat-syarat *Purchase Order/PO*, Nomor Referensi Rekanan wajib menandatangani Surat *Purchase Order/PO* di atas meterai yang cukup pada kolom yang tersedia dan mengembalikan kepada Procurement **ASET OPERATOR**.

**3.1 PROSES PURCHASE ORDER/PO**

Proses *Purchase Order/PO* diberlakukan dalam tahap sebagai berikut:

3.1.1 *Purchase Order/PO* atas nama **PLN TJB** lebih besar dari Rp.500.000.000,- (Lima Ratus Juta Rupiah), maka Penyedia Barang/Jasa diwajibkan menyerahkan Jaminan Pelaksanaan ditujukan ke **PLN TJB**, bernilai minimal 5% (lima persen) dari total harga barang/ jasa yang tercantum dalam *Purchase Order/PO* termasuk PPN sesuai dengan peraturan yang berlaku.

3.1.2 *Purchase Order/PO* Asli yang telah lengkap ditandatangani oleh **ASET OPERATOR** atas sepengetahuan dan persetujuan **PLN TJB** terlebih dahulu, dan wajib ditandatangani di atas meterai oleh Penyedia Barang/Jasa (oleh Direktur atau yang dikuasakan berdasarkan Anggaran Dasar Perusahaan) dan dikembalikan kepada Procurement **ASET OPERATOR**.

3.1.3 *Aktivasi Surat Purchase Order/PO* adalah 7 (tujuh) Hari Kalender sejak *Purchase Order/PO* dikirimkan melalui surat tertulis dan/atau surat elektronik (*surel/email*) oleh Procurement **ASET OPERATOR**.



**PT. KOMIPO PEMBANGKITAN JAWA BALI**  
**PLTU TANJUNG JATI B #UNIT 3&4**

**REQUEST FOR QUOTATION**

Doc. Ref	: KPJB-0951-02
Form No.	: KPJB-0951-02-ZZ-FM-03
Design Div.	: Finance and Administration
Revision No.	: 00

- 3.1.4 *Jangka Waktu berlakunya Purchase Order/PO ditetapkan dalam Purchase Order/PO, pada kolom "Start Date" dan "End Date".*
- 3.1.5 *Pada ketentuan Pasal 3.1.1 dimana ASET OPERATOR akan mengirimkan surat "Appointment of awarded Supplier" melalui surat tertulis dan/atau Surat Elektronik (surel/email) kepada Penyedia Barang/Jasa, dan selambat-lambatnya dalam waktu 14 (empat belas) Hari Kalender setelah tanggal dikirimkan surat "Appointment of awarded Supplier", maka Jaminan Pelaksanaan harus diterima oleh Procurement ASET OPERATOR, apabila telah melewati jangka waktu yang telah ditetapkan dan pihak Penyedia Barang/Jasa belum memberikan Jaminan Pelaksanaan, maka ASET OPERATOR mempunyai hak membatalkan perikatan hukum (Purchase Order/PO) dengan Penyedia Barang/Jasa. Penyedia Barang/Jasa dianggap mengundurkan diri dan Jaminan Penawaran dicairkan tanpa syarat. Penyedia Barang/Jasa dianggap telah melakukan Wanprestasi dan akan dikenakan sanksi sesuai dengan peraturan yang berlaku di ASET OPERATOR dan PLN TJB.*
- 3.2 **ASET OPERATOR** dan Penyedia Barang/Jasa sepakat dalam hal **ASET OPERATOR** membatalkan *Purchase Order/PO* maka **ASET OPERATOR** dan **PLN TJB** tanpa terkecuali dibebaskan dari segala bentuk gugatan dan laporan hukum, sanksi, ganti rugi, penggantian biaya-biaya maupun ongkos-ongkos apapun sehingga Penyedia Barang/Jasa tidak memiliki hak dan wewenang untuk menuntut pertanggungjawaban apapun lagi dari **ASET OPERATOR** dan **PLN TJB**.
- 3.3 *Purchase Order/PO* dan Ketentuan lainnya yang ditetapkan terpisah adalah satu kesatuan dari Syarat –Syarat dan Kondisi lampiran 2.

**4. JANGKA WAKTU PELAKSANAAN**

Jangka Waktu Pelaksanaan adalah Jangka Waktu yang tertera dalam *Purchase Order/PO* sesuai pada ketentuan Pasal 3.1.4, kecuali adanya pengakhiran atau perpanjangan berdasarkan kesepakatan Para Pihak.

**5. PERPANJANGAN WAKTU PELAKSANAAN**

Setiap perpanjangan waktu pelaksanaan akan diterbitkan Amendemen *Purchase Order/PO* dengan Jangka Waktu yang disepakati Para Pihak.

**6. PERUBAHAN PURCHASE ORDER/PO (AMENDMENT PO)**

Setiap perubahan atas *Purchase Order/PO* mengenai Masa berlaku *Purchase Order/PO*, sebagaimana ketentuan pada Pasal 3.1.4 dan syarat-syarat dan kondisi lain hanya akan mengikat apabila disetujui dari **ASET OPERATOR** atas nama **PLN TJB** dengan diterbitkannya *Amendment PO* yang diterbitkan 2 (dua) rangkap yang masing - masing rangkap ditandatangani diatas meterai oleh **ASET OPERATOR** dan Penyedia Barang/Jasa.

**7. BARANG-BARANG**

7.1 Semua barang yang dipasang/disuplai harus sesuai dengan perincian yang tercantum dalam *Purchase Order/PO*.

7.2 Penyimpangan dari ketentuan-ketentuan di atas tidak diperkenankan tanpa persetujuan tertulis/tanpa *Amendment PO* dari **ASET OPERATOR**.

**8. KEMASAN**

Kemasan harus dibuat kuat (dalam wujud kayu atau karton) dan layak laut atau udara sesuai dengan standar yang berlaku bagi kemasan. Semua harga bahan kemasan telah termasuk dalam harga yang telah disetujui. Pada setiap kemasan harus dicantumkan nama barang.

**9. PEMERIKSAAN**

9.1 Pemeriksaan sebelum pengapalan: apabila pemeriksaan sebelum pengapalan diperlukan, maka **ASET OPERATOR** dan/atau **PLN TJB** akan melakukan pemeriksaan barang di tempat Penyedia Barang/Jasa atau tempat lain yang disetujui Para Pihak.

9.2 Barang akan diperiksa pada waktu penyerahan dilaksanakan setelah lengkap dengan dokumen yang dipersyaratkan pada *Purchase Order/PO*. Barang yang tidak memenuhi syarat-syarat yang ditentukan dalam *Purchase Order/PO* akan dikembalikan kepada Penyedia Barang/Jasa, dan semua biaya dan kerugian akan ditimbulkan menjadi risiko dan tanggung jawab Penyedia Barang/Jasa.

**10. SERTIFIKASI**

Sertifikat untuk barang (-barang) tertentu yang ditetapkan oleh **ASET OPERATOR** dan **PLN TJB** adalah sebagai berikut:

- Sertifikat Asal Usul Barang (*Certificate of Origin/COO*);
- Sertifikat dari Pabrikasi (*Certificate of Manufacture/COM*);
- Surat Keaslian Barang;
- Sertifikat Hasil Uji Pabrik (*Factory Acceptance Test Certificate*);
- Salinan Dokumen Impor Barang (*Copy Bill of Lading*);
- Sertifikat Analisa (*Certificate of Analysis/COA*);

ataupun dokumen-dokumen pendukung lainnya (sebagaimana dipersyaratkan khusus di *Purchase Order/PO*).

**11. PENYERAHAN**

11.1 Penyedia Barang/Jasa harus menyerahkan barang (-barang) dalam jangka waktu dan tempat sesuai dengan syarat-syarat yang telah ditentukan dalam *Purchase Order/PO*.

11.2 Dalam jangka waktu paling lambat 7 (tujuh) Hari Kalender sebelum pengiriman barang (-barang), Penyedia Barang/Jasa harus memberitahukan **ASET OPERATOR** mengenai jadwal pengiriman.

11.3 Waktu Penyerahan barang(-barang) dihitung efektif sejak 7 (tujuh) Hari Kalender sejak *Purchase Order/PO* dikirimkan melalui surat tertulis dan/atau Surat Elektronik (surel/ email) oleh Procurement **ASET OPERATOR** ditambah jangka waktu pengiriman yang tercantum pada *Purchase Order/PO* sebagaimana ketentuan pada Pasal 3.1.5 dan lengkap disertai dengan penyerahan dokumen pendukung yang dipersyaratkan dalam *Purchase Order/PO*.

**12. DENDA SANKSI**

12.1 Sanksi atas pencairan Jaminan Penawaran tanpa syarat apabila Penyedia Barang/Jasa membatalkan *Purchase Order/PO* secara sepihak, tanpa persetujuan **ASET OPERATOR** dan **PLN TJB**, sebagaimana ketentuan pada Pasal 2.2 dan Pasal 3.1.6. Penyedia Barang/Jasa dianggap telah melakukan Wanprestasi dan mendapatkan sanksi *blacklist* di lingkungan **ASET OPERATOR** dan **PLN TJB** minimal 2 (dua) tahun.

12.2 Denda atas keterlambatan menyelesaikan pekerjaan atau memasok Barang adalah setiap hari keterlambatan dikenakan 1/1000 (satu per seribu) dengan maksimal denda keterlambatan adalah 5% (lima persen) dari total nilai *Purchase Order/PO* belum termasuk PPN sesuai dengan peraturan yang berlaku dan/atau sama dengan maksimal keterlambatan pengiriman maksimal adalah 50 (lima puluh) Hari Kalender, kecuali ada kesepakatan lain antara Para Pihak. Serta melakukan pemotongan pembayaran kepada Penyedia Barang/Jasa dengan menggunakan nilai denda yang sudah ditetapkan **ASET OPERATOR** tersebut sebagai dasar pemotongan.

12.3 Batas maksimal Penyedia Barang/Jasa dalam keterlambatan adalah 3 (tiga) *Purchase Order/PO* dan Penyedia Barang/Jasa akan di tangguhkan ("suspend") atau tidak dapat turut serta dalam proses pengadaan berikutnya. Pemberian Penangguhan ("suspend") kepada Penyedia Barang/Jasa adalah hak mutlak **ASET OPERATOR** atas persetujuan **PLN TJB**, dan tanpa pemberitahuan resmi kepada Penyedia Barang/Jasa.

12.4 Penyedia Barang/Jasa tidak dapat membatalkan *Purchase Order/PO* sepihak kepada **ASET OPERATOR** dan/atau **PLN TJB**. Bila Penyedia Barang/Jasa tidak sanggup menyerahkan atau menyelesaikan pekerjaannya dalam waktu yang telah ditentukan, **ASET OPERATOR** dan/atau **PLN TJB** sebagaimana ketentuan pada Pasal 11.3, maka **ASET OPERATOR** memiliki hak dan wewenang penuh untuk:



**PT. KOMIPO PEMBANGKITAN JAWA BALI  
PLTU TANJUNG JATI B #UNIT 3&4**

**REQUEST FOR QUOTATION**

Doc. Ref	: KPJB-0951-02
Form No.	: KPJB-0951-02-ZZ-FM-03
Design Div.	: Finance and Administration
Revision No.	: 00

- 12.4.1 Mengenakan denda maksimal sebesar 5% (lima persen) dari Total Nilai pada *Purchase Order/PO* atau mencairkan Jaminan Pelaksanaan tanpa syarat;
- 12.4.2 Dan/ Atau memesan barang/ jasa tersebut kepada sumber lain dan bila ada kelebihan harga yang dibayarkan **ASET OPERATOR** maka Penyedia Barang/Jasa wajib menanggung kelebihan harga tersebut;
- 12.4.3 Penyedia Barang/Jasa dianggap telah melakukan Wanprestasi dan mendapatkan sanksi *black list* di lingkungan **ASET OPERATOR** dan PLN TJB minimal 2 (dua) tahun disertai dengan membatalkan atau mengakhiri PO beserta pengakhiran ikatan Kerjasama dengan Penyedia Barang/Jasa.
- 12.5 Denda atau Sanksi dapat diabaikan dan/atau dihilangkan apabila keterlambatan atas suatu Pengadaan Barang atau Jasa yang dianggap oleh **ASET OPERATOR** dan/ atau PLN TJB adalah dikategorikan sebagai suatu "*Force Majeure*" sebagaimana ketentuan pada Pasal 16.

**13. TAHAPAN SURAT PEMBERITAHUAN, PERINGATAN, DAN PEMUTUSAN PURCHASE ORDER/PO KARENA WANPRESTASI**

- 13.1 Peristiwa-peristiwa yang digolongkan sebagai Wanprestasi adalah:
- a. Peristiwa Wanprestasi yang mengakibatkan *Purchase Order/PO* berakhir tanpa melalui surat peringatan dari **ASET OPERATOR** terhadap Penyedia Barang/Jasa adalah sebagai berikut:
- Penyedia Barang/Jasa terbukti melakukan tindak pidana antara lain adanya pemalsuan surat/dokumen, praktek korupsi, penyuapan, pemberian gratifikasi, persekongkolan, kecurangan dan pemalsuan yang berkaitan dengan proses pengadaan, *Purchase Order/PO* dan/atau pelaksanaan Pekerjaan.
  - Penyedia Barang/Jasa terbukti melakukan pelanggaran atas peraturan internal **ASET OPERATOR** dan/atau PLN TJB terkait *fraud*.
  - Berdasarkan putusan Pengadilan yang telah mempunyai kekuatan hukum tetap, Penyedia Barang/Jasa dinyatakan dalam keadaan pailit, pembubaran, likuidasi atau diberikan penundaan pembayaran hutang yang menyebabkan Penyedia Barang/Jasa tidak dapat melakukan kewajibannya berdasarkan *Purchase Order/PO*.
  - Penyedia Barang/Jasa terbukti dikenakan Sanksi Daftar Hitam (*blacklist*) sebelum penandatanganan *Purchase Order/PO*.
  - Apabila Jaminan Penawaran dan/atau Jaminan Pelaksanaan yang diserahkan oleh Penyedia Barang/Jasa kepada **ASET OPERATOR** dan/atau PLN TJB selama jangka waktu *Purchase Order/PO* terbukti palsu/tidak benar.
  - Setiap pernyataan yang dibuat oleh Penyedia Barang/Jasa di dalam *Purchase Order/PO* yang berkaitan dengan proses pengadaan *Purchase Order/PO* dan/atau pelaksanaan Pekerjaan terbukti tidak sah dan/atau tidak dilaksanakan oleh Penyedia Barang/Jasa.
- b. Peristiwa Wanprestasi yang mengakibatkan *Purchase Order/PO* berakhir melalui surat peringatan dari **ASET OPERATOR** terhadap Penyedia Barang/Jasa adalah sebagai berikut:
- Penyedia Barang/Jasa mengalihkan Pekerjaan baik sebagian atau seluruhnya atau hak atau kewajiban yang diatur dalam *Purchase Order/PO* tanpa persetujuan tertulis dari **ASET OPERATOR**;
  - Apabila denda yang diatur dalam *Purchase Order/PO* tidak dibayar oleh Penyedia Barang/Jasa kepada **ASET OPERATOR**.
  - Apabila Penyedia Barang/Jasa tidak melakukan perpanjangan Jaminan Pelaksanaan sebagaimana diatur dalam *Purchase Order/PO*.
  - Penyedia Barang/Jasa tidak memenuhi baik sebagian atau seluruh kewajiban sesuai ketentuan yang diatur dalam *Purchase Order/PO*.
- 13.2 Dalam hal terjadi Peristiwa Wanprestasi oleh Penyedia Barang/Jasa sebagaimana dimaksud Pasal 13 ayat 13.1 butir b Syarat Umum *Purchase Order/PO*, **ASET OPERATOR** berhak mengakhiri *Purchase Order/PO* dengan memberikan surat peringatan, dengan ketentuan sebagai berikut:
- a. Surat Pemberitahuan (*Notification Letter*): dikirimkan secara tertulis dan/atau melalui *Email* ke Penyedia Barang/Jasa maksimal 14 (empat belas) Hari Kalender sebelum jangka waktu pengiriman jatuh tempo yang tertera pada *Purchase Order/PO*.
- b. Surat Peringatan Resmi (*Official Warning Letter*): dikirimkan secara tertulis dan/atau melalui *Email* ke Penyedia Barang/Jasa yang mengalami keterlambatan pengiriman dengan ketentuan sebagai berikut:
- Surat Peringatan Pertama (*Warning Letter 1*): 1- 10 hari setelah masa berlakunya *Purchase Order/PO* berakhir (*end date*), dan Penyedia Barang/Jasawajib merespon dalam waktu 10 hari setelah Surat Peringatan Pertama (*Warning Letter 1*) diterima.
  - Surat Peringatan Kedua (*Warning Letter 2*): 21- 30 hari setelah masa berlakunya *Purchase Order/PO* berakhir (*end date*), dan Penyedia Barang/Jasawajib merespon dalam waktu 10 hari setelah Surat Peringatan Kedua (*Warning Letter 2*) diterima.
  - Warning Letter 3* ((Surat Pengakhiran/Pemutusan (*Termination Letter*)): 51 hari setelah masa berlakunya *Purchase Order/PO* berakhir (*end date*).
- c. Surat Pengakhiran/Pemutusan (*Termination Letter*): dikirimkan secara tertulis dan/atau melalui *Email* ke Penyedia Barang/Jasa setelah 2 (dua) surat pada Pasal 13.2.a dan 13.2.b di atas dikirimkan dan tidak tercapainya kesepakatan antara Para Pihak dalam penyelesaian permasalahan yang dimaksud dalam jangka waktu masa berlakunya *Purchase Order/PO*, maka secara sepihak yaitu **ASET OPERATOR** atas persetujuan PLN TJB, akan membatalkan *Purchase Order/PO* dengan mengirimkan Surat Pemutusan (*Termination Letter*) kepada Penyedia Barang/Jasa.
- d. Apabila Penyedia Barang/Jasa tidak menyelesaikan pekerjaan serta tidak tercapainya kesepakatan antara Para Pihak dalam penyelesaian pekerjaan yang dimaksud dalam jangka waktu masa berlakunya *Purchase Order/PO* dalam waktu sebagaimana disebutkan pada Pasal 13 ayat 13.2 butir c, maka **ASET OPERATOR** berhak mencairkan Jaminan Pelaksanaan Penyedia Barang/Jasa pada periode berjalan, dan mengakhiri *Purchase Order/PO* secara sepihak.
- 13.3 Dalam hal Penyedia Barang/Jasa telah melakukan pemulihan atau perbaikan sebagaimana dimaksud pada bab ini, dan pemulihan atau perbaikan tersebut disetujui oleh **ASET OPERATOR** maka peringatan tertulis yang telah diterbitkan tersebut tidak akan diperhitungkan sebagai pemberian peringatan yang berkelanjutan atau tidak berlaku kumulatif pada pemberian peringatan berikutnya.
- 13.4 Atas setiap pengakhiran dari *Purchase Order/PO*, seluruh kewajiban-kewajiban masing-masing Pihak berdasarkan *Purchase Order/PO* wajib berhenti, kecuali:
- Sehubungan dengan kewajiban-kewajiban pembayaran yang ditimbulkan dari tindakan-tindakan yang diambil sebelum pengakhiran tersebut (termasuk namun tidak terbatas pada hak normatif Pekerja Penyedia Barang/Jasa);
  - Sebagaimana ditentukan lain dalam *Purchase Order/PO*;
  - Bahwa ketentuan terkait Jaminan Pelaksanaan akan tetap berlaku walaupun *Purchase Order/PO* telah diakhiri; dan/atau
  - Pengakhiran tersebut tidak akan mengurangi setiap hak atas ganti rugi atau setiap perbaikan lainnya yang mungkin dimiliki oleh masing-masing pihak berdasarkan *Purchase Order/PO*.
- 13.5 Dalam hal terjadi Peristiwa Wanprestasi Penyedia Barang/Jasa, maka Penyedia Barang/Jasa akan dikenakan hukuman/denda sesuai ketentuan pada *Purchase Order/PO*.
- 13.6 **ASET OPERATOR** akan memberlakukan hukuman daftar hitam (*blacklist*) bagi setiap pengakhiran *Purchase Order/PO* yang disebabkan karena wanprestasi Penyedia Barang/Jasa sebagaimana diatur lebih lanjut dalam ketentuan yang berlaku pada **ASET OPERATOR**.
- 13.7 Terhadap pengakhiran *Purchase Order/PO*, Para Pihak sepakat untuk tidak memberlakukan ketentuan Pasal 1266 Kitab Undang-Undang Hukum Perdata.
- 13.8 Akibat-akibat Pemutusan *Purchase Order/PO*:
- ASET OPERATOR** dan/atau PLN TJB dibebaskan dari segala tuntutan hutang-hutang Penyedia Barang/Jasa kepada pihak ketiga yang harus ditanggung oleh Penyedia Barang/Jasa;
  - ASET OPERATOR** dan Penyedia Barang/Jasa segera mengadakan pemeriksaan bersama yang dituangkan dalam Berita Acara Pemeriksaan Pekerjaan dan/atau *Good Receipt* (GR) dan/atau *Join Inspection* (JI) yang meliputi beberapa prestasi yang telah selesai dikerjakan oleh Penyedia Barang/Jasa. Apabila Penyedia Barang/Jasa tidak bersedia mengadakan pemeriksaan bersama, maka **ASET OPERATOR** akan mengadakan



PT. KOMIPO PEMBANGKITAN JAWA BALI

PLTU TANJUNG JATI B #UNIT 3&4

REQUEST FOR QUOTATION

Doc. Ref : KPJB-0951-02

Form No. : KPJB-0951-02-ZZ-FM-03

Design Div. : Finance and Administration

Revision No. : 00

- pemeriksaan terakhir dan hasilnya dianggap sebagai hasil pemeriksaan bersama;
- c. Penyedia Barang/Jasa hanya berhak mendapatkan pembayaran sesuai kemajuan pekerjaan yang telah dilaksanakan dan disetujui **ASET OPERATOR**. Peralatan dan bahan-bahan yang belum dipergunakan tidak termasuk dalam penilaian kemajuan pekerjaan;
  - d. **ASET OPERATOR** akan mengambil alih pekerjaan untuk diselesaikan dengan *Purchase Order/PO* lain atau dengan cara lain;

#### 14. HARGA

- 14.1 Harga yang tercantum dalam *Purchase Order/PO* ini adalah tetap, tidak berubah dan mengikat.
- 14.2 Bagi Pengusaha Kena Pajak ("PKP") harga yang tercantum dalam *Purchase Order/PO* tidak termasuk PPN sesuai dengan peraturan yang berlaku. PPN harus dinyatakan terpisah dari harga barang(-barang) yang dipesan.

#### 15. JAMINAN PENAWARAN DAN JAMINAN PELAKSANAAN

Jaminan dipersyaratkan untuk Pengadaan sebagai berikut :

- 15.1 Jaminan Penawaran adalah bernilai minimal 1% (satu persen) maksimal 3% (Tiga persen) dari Total Nilai Perkiraan Sendiri (HPS) atau Surat Penawaran Harga dari Penyedia Barang/Jasa termasuk PPN sesuai dengan peraturan yang berlaku, untuk nilai Penawaran lebih besar dari Rp.500.000.000,- (lima ratus juta rupiah), sebagaimana ketentuan pada Pasal 2.2 .
- 15.2 Jaminan Pelaksanaan adalah bernilai minimal 5% (lima persen) dari Total Nilai pada *Purchase Order/PO* termasuk PPN sesuai dengan peraturan yang berlaku untuk nilai Pembelian lebih besar dari Rp.500.000.000,- (lima ratus juta rupiah), sebagaimana ketentuan pada Pasal 3.1.1 di atas. Dengan ketentuan masa berlaku Jaminan Pelaksanaan adalah sebagaimana ketentuan pada Pasal 3.1.4 ditambah sekurang-kurangnya 50 (Lima Puluh Hari) Hari Kalender.
- 15.3 Jaminan yang disertakan harus mengikuti persyaratan yang diminta oleh **ASET OPERATOR** dan/atau **PLN TJB** dengan ketentuan sebagai berikut :
  - 15.3.1 Mengikuti format yang sudah dibakukan oleh **ASET OPERATOR** dan/ atau **PLN TJB**.
  - 15.3.2 Menggunakan mata uang dalam "Rupiah", kecuali ada ketentuan dan persetujuan lain yang disepakati Para Pihak (Penyedia Barang/ Jasa dan **ASET OPERATOR** Procurement).
  - 15.3.3 Harus diterbitkan oleh Bank sesuai dengan Daftar Penyedia Jaminan Terseleksi (DPJT) PLN yang telah disetujui oleh **ASET OPERATOR** dan/atau **PLN TJB**.
- 15.4 Jaminan Pelaksanaan diserahkan kepada **ASET OPERATOR** maksimal 14 (empat belas) Hari Kalender setelah "**Surat Penunjukan Pemenang / Appointment of Awarded Supplier**" dikirimkan melalui surat tertulis dan/atau Surat Elektronik (Surel/ Email) oleh **ASET OPERATOR** kepada Penyedia Barang/Jasa, sebagaimana ketentuan pada Pasal 3.1.5.
- 15.5 Asli dari Jaminan akan dikembalikan ke Penyedia Barang/Jasa apabila semua kewajiban dari Penyedia Barang/Jasa telah dinyatakan selesai oleh **ASET OPERATOR** atas persetujuan **PLN TJB**.
- 15.6 Jaminan dapat dimungkinkan untuk diperpanjang masa berlakunya atas permintaan dari **ASET OPERATOR** dan/atau **PLN TJB** kepada Penyedia Barang/Jasa.

#### 16. FORCE MAJEURE

- 16.1 Peristiwa, kejadian atau keadaan berikut ini adalah *Force Majeure*: Kehendak Tuhan (*Act of God*) meliputi namun tidak terbatas pada gempa bumi, dari banjir, epidemi, kebakaran, perang, huru-hara, pemogokan dan/atau pemberlakuan peraturan pemerintah yang mengatur atau berhubungan dengan pelaksanaan/ pengiriman di dalam *Purchase Order/PO*.
- 16.2 Dalam hal terjadi suatu peristiwa, kejadian atau keadaan *Force Majeure*, Penyedia Barang/Jasa wajib memberitahukan secara tertulis dan/atau email dengan melampirkan bukti-bukti dari instansi yang berwenang kepada **ASET OPERATOR** selambat-lambatnya 3 (tiga) hari sejak terjadinya suatu peristiwa, kejadian atau keadaan *Force Majeure*.
- 16.3 Dalam hal pemberitahuan sebagaimana ketentuan Pasal 16.2 di atas terlampaui atau tidak dilaksanakan maka Para Pihak sepakat bahwa kejadian tersebut bukan merupakan keadaan *Force Majeure*.
- 16.4 Baik Penyedia Barang/Jasa maupun **ASET OPERATOR** dan **PLN TJB** dibebaskan dari setiap dan semua tanggung jawab yang timbul sebagai akibat terjadinya suatu peristiwa, kejadian atau keadaan *Force Majeure*.

#### 17. TUNTUTAN DARI PIHAK KETIGA

Penyedia Barang/Jasa harus membebaskan dan melindungi **ASET OPERATOR** dan **PLN TJB** dari segala tuntutan dari pihak ketiga yang timbul atau akan timbul sehubungan dengan *Purchase Order/PO*.

#### 18. GARANSI (Apabila Dipersyaratkan di dalam *Purchase Order/PO*)

Penyedia Barang/Jasa menjamin ke **ASET OPERATOR** dan/ atau **PLN TJB**, bahwa barang-barang yang dikirim sesuai dengan spesifikasi yang disepakati sebagaimana ketentuan pada Pasal 2.3.8. Barang tidak cacat atau rusak material atau teknis, baru (bukan barang bekas pakai) dan digaransi oleh Pabrik dan/atau Penyedia Barang/Jasa. Garansi harus berlaku selama jangka waktu 18 (delapan belas) bulan sejak tanggal pengiriman barang atau 12 (dua belas) bulan sejak tanggal pemasangan atau operasi awal atas barang ("**Masa Garansi**"). Apapun yang terjadi terlebih dahulu dalam Masa Garansi, ditemukan kerusakan atau kecacatan barang, **ASET OPERATOR** berkewajiban untuk memberitahukan secara tertulis dan/atau melalui email atas hal tersebut kepada Penyedia Barang/Jasa. Dan dalam waktu 3 x 24 jam setelah diterimanya pemberitahuan tersebut, Penyedia Barang/Jasa wajib memperbaiki barang yang cacat atau rusak tersebut, dan apabila barang tidak bisa diperbaiki dalam jangka waktu paling lambat 30 (tiga puluh) Hari Kalender, maka Penyedia Barang/Jasa harus mengganti barang yang rusak tersebut dengan barang baru dengan kualitas dan spesifikasi yang sama tanpa ada penambahan biaya apapun dari **ASET OPERATOR**.

#### 19. TAGIHAN

Untuk melakukan penagihan, Penyedia Barang/Jasa harus memenuhi syarat-syarat penagihan dengan melengkapi dokumen-dokumen antara lain sebagai berikut:

- 19.1 Surat Permohonan Pembayaran: 1 (satu) rangkap Asli
- 19.2 Kwitansi : 3 (tiga) rangkap, 1 (satu) rangkap bermeterai cukup dan 2 (dua) rangkap lainnya tanpa meterai .
- 19.3 Invoice : 3 (tiga) rangkap, 1 (satu) rangkap bermeterai cukup dan 2 (dua) rangkap lainnya tanpa meterai.
- 19.4 Faktur Pajak : 2 (dua) rangkap.
- 19.5 Berita Acara Penyelesaian Pekerjaan (BAPK) dan/atau *Goods Receipt* dan/atau *Joint Inspection* : 1 (satu) rangkap Asli.
- 19.6 Berita Acara Serah Terima (BAST) barang/jasa/pekerjaan dan/atau *Minutes Of Verification* (MOV): 1 (satu) rangkap Asli.
- 19.7 NPWP dan SPPKP : 1 (satu) rangkap Copy.
- 19.8 Sertifikat Asal Barang dan/atau Sertifikat Manufaktur: 1 (satu) asli dan/atau 1 (satu) Copy (Apabila dipersyaratkan pada *Purchase Order/PO*).
- 19.9 Surat Jaminan/Garansi yang menyatakan masa garansi barang adalah 18 (delapan belas) bulan sejak pengiriman atau 12 (dua belas) bulan sejak instalasi : 1 (satu) asli dan 2 (dua) Copy (Apabila dipersyaratkan pada *Purchase Order/PO*).
- 19.10 Jaminan Pelaksanaan dan Surat Konfirmasi keabsahan Jaminan Pelaksanaan : 1 (satu) rangkap Copy (Apabila dipersyaratkan pada *Purchase Order/PO*).
- 19.11 SIUP/NIB dan SIUJK : 1 (satu) rangkap Copy (Apabila ada atau apabila dipersyaratkan pada *Purchase Order/PO*)



**PT. KOMIPO PEMBANGKITAN JAWA BALI**  
**PLTU TANJUNG JATI B #UNIT 3&4**

**REQUEST FOR QUOTATION**

Doc. Ref	: KPJB-0951-02
Form No.	: KPJB-0951-02-ZZ-FM-03
Design Div.	: Finance and Administration
Revision No.	: 00

19.12 Syarat-syarat lain yang belum tercantum sebagaimana poin-poin diatas namun dipersyaratkan khusus pada *Purchase Order* / *PO* wajib dipenuhi oleh Penyedia Barang/Jasa.

(Persyaratan penagihan terlampir di lampiran "Tata Cara Penagihan")

**20. PEMBAYARAN**

Kecuali ditentukan lain dalam *Purchase Order* / *PO* :

- 20.1 Pembayaran akan dilakukan pada 45 (empat puluh lima) Hari Kalender setelah barang/ Jasa dinyatakan diterima dengan Bukti Asli *Goods Receipt/ Completion Work*, dan dokumen-dokumen penagihan telah diterima dengan baik, lengkap dan benar.
- 20.2 Pembayaran akan dilakukan melalui bank transfer.

**21. LAIN - LAIN**

- 21.1 Syarat-syarat umum ini berlaku sah dan mengikat, kecuali ada ketentuan lain yang tertera pada *Purchase Order* / *PO*.
- 21.2 Bilamana **ASET OPERATOR** serta Penyedia Barang/Jasa menandatangani kesepakatan tambahan sebagai satu kesatuan dari *Purchase Order* / *PO* dan ternyata menimbulkan pertentangan dengan klausul-klausul di dalam *Purchase Order* / *PO* maka **ASET OPERATOR** dan Penyedia Barang/Jasa sepakat akan selalu menafsirkan dengan cara memilih, mematuhi dan menerapkan klausul yang lebih menguntungkan **ASET OPERATOR** semata.
- 21.3 **ASET OPERATOR** dan/atau **PLN TJB**, setiap saat memiliki hak eksklusif untuk melakukan evaluasi berkaitan dengan kinerja, kepatuhan atau hasil pelaksanaan kewajiban oleh Penyedia Barang/Jasa, dimana hasil evaluasi tersebut akan disampaikan kepada Penyedia Barang/Jasa dalam bentuk pernyataan tertulis.
- 21.4 Evaluasi tersebut dilakukan dalam rangka menjamin keberlangsungan PLTU Tanjung Jati B Jepara sehingga hasil evaluasi sebagaimana dimaksud menjadi dasar bagi **ASET OPERATOR** dan/atau **PLN TJB** untuk mengkaji ulang status serta jangka waktu *Purchase Order* / *PO* dan/atau penentuan status Penyedia Barang/Jasa dalam Daftar Hitam Penyedia Barang/Jasa **ASET OPERATOR** dan/atau **PLN TJB**.
- 21.5 *Purchase Order* / *PO* dibuat, diatur dan ditafsirkan sesuai dengan hukum Negara Republik Indonesia.
- 21.6 Jika terjadi perselisihan yang tidak mendapatkan solusi maka **ASET OPERATOR** dan Penyedia Barang/Jasa sepakat untuk dapat melakukan pengakhiran *Purchase Order* / *PO* dan tidak memberlakukan ketentuan Pasal 1266 Kitab Undang-undang Hukum Perdata.
- 21.7 Syarat-syarat dan kondisi ini dibuat dalam Bahasa Indonesia dan Bahasa Inggris. Dalam hal adanya inkonsistensi atau penafsiran yang berbeda antara versi Bahasa Indonesia dan versi Bahasa Inggris, versi Bahasa Indonesia dari Syarat-syarat dan kondisi ini akan berlaku dan versi Bahasa Inggris harus dianggap secara otomatis diubah (perubahan mana berlaku sejak tanggal ditandatangani versi bilingual ini) untuk menjadikan bagian yang relevan dari versi Bahasa Inggris sesuai dengan bagian yang relevan dari versi Bahasa Indonesia.
- 21.8 **ASET OPERATOR** berhak melakukan Audit di Waktu tertentu kepada rekanan Penyedia Barang/Jasa, Proses pengaudit dilakukan oleh **ASET OPERATOR** didampingi tim Auditor yang ditunjuk **ASET OPERATOR**.

**KETENTUAN MENYANGKUT LINGKUNGAN, KESEHATAN, DAN KESELAMATAN KERJA**

**1. STANDART KESELAMATAN UNTUK BAHAN BAHAN YANG BERACUN**

- 1.1 Penyedia Barang/Jasa harus memberikan daftar data keselamatan material - material (MSDS) untuk seluruh *chemical*, pelumas, lem, cairan, pembersih dan bahan bahan lainnya yang berpotensi beracun yang rekanan akan gunakan dalam pelaksanaan pekerjaan.
- 1.2 Penyedia Barang/Jasa harus mengikuti syarat - syarat untuk penyimpanan, penanganan dan pembuangan material termasuk syarat - syarat untuk Peralatan Perlindungan Personal dan peralatan Pernafasan (RPE) yang ditentukan oleh **ASET OPERATOR**.
- 1.3 Setiap Material yang mengandung zat - zat yang berpotensi beracun yang ada di *Site* yang tidak sesuai dengan persyaratan MSDS dan belum disetujui oleh **ASET OPERATOR**, harus segera dihilangkan atau dipindahkan dari *site* oleh Penyedia Barang/Jasa sampai persetujuan tersebut diperoleh.

**2. PURCHASE REQUISITION JASA/SERVICE**

- 2.1 Dokumen Analisa Kerja Aman (*Job Safety Analysis / JSA*) atau dokumen identifikasi bahaya lainnya yang terkait dengan Jasa.
- 2.2 Prosedur kerja aman / instruksi kerja dan/atau dokumen EHS lainnya yang terkait dengan Jasa.
- 2.3 Surat keterangan sehat dari dokter untuk personel yang terkait dengan jasa.
- 2.4 Foto *copy* Sertifikat kompetensi untuk personel yang terkait dengan jasa.
- 2.5 Foto *copy* Sertifikat Kelayakan atas Peralatan Angkat dan Angkut yang masih "VALID" yang terkait dengan Jasa.
- 2.6 Foto *copy* Surat Keterangan Catatan Kepolisian (SKCK) dan kartu identitas (Kartu Tanda Penduduk/KTP atau Paspor) masih berlaku untuk lampiran Formulir *Request ID Card*.
- 2.7 Foto *copy* Surat Ijin Mengemudi (SIM) yang masih berlaku untuk pengemudi mobil perusahaan untuk lampiran formulir "*Vehicle Gate Pass Request*".
- 2.8 Foto *copy* surat KIR yang masih berlaku untuk kendaraan operasional kategori tertentu untuk lampiran formulir "*Vehicle Gate Pass Request*".
- 2.9 Surat pernyataan dari Manajemen perusahaan bahwa akan mematuhi peraturan perundangan terkait dengan Lingkungan dan
- 2.10 Keselamatan, Kesehatan Kerja (LK3), salah satunya seperti berikut :
  - 2.10.1 Menyediakan Alat Pelindung Diri (APD) untuk seluruh karyawan yang standard dan sesuai
  - 2.10.2 Bertanggung jawab atas limbah/sampah yang dihasilkan oleh pekerjaan jasa tersebut serta selalu menjaga kerapian dan kebersihan area kerja.
  - 2.10.3 Membuat "Surat Pernyataan" bahwa perusahaan tidak mencemari lingkungan
  - 2.10.4 Melampirkan Sertifikat ISO 14001 dan Sertifikat PROPER yang dimiliki (apabila dipersyaratkan dalam RFQ & *Purchase Order* / *PO*)

**3. PURCHASE REQUISITION BARANG**

Menyediakan dokumen yang terkait dengan persyaratan Lingkungan, Keselamatan dan Kesehatan Kerja (LK3), seperti:

- 3.1 Lembar Data Keselamatan Bahan / LDKB (*Material Safety Data Sheet/MSDS*) untuk Bahan Beracun dan Berbahaya (B3), seperti: bahan kimia/resin/oli/grease/dll.
- 3.2 Petunjuk Pengoperasian secara aman (*Safety Operating Manual*) untuk peralatan/mesin/alat kerja/ dll.
- 3.3 Persyaratan penyimpanan serta penanganan secara manual.
- 3.4 Atau dokumen lainnya yang terkait dengan persyaratan dan perundangan Lingkungan, Keselamatan & Kesehatan Kerja (LK3).

**4. KETENTUAN MENYANGKUT KETENAGA KERJAAN**

Berikut persyaratan dari HRD yaitu sebagai berikut :

- 4.1 *Copy* sertifikat kepesertaan perusahaan di BPJS Ketenagakerjaan.
- 4.2 *Copy* kartu kepesertaan BPJS Ketenagakerjaan dari setiap karyawan yang dipekerjakan.
- 4.3 Ijin Operasional dari Disnaker Propinsi Jawa Tengah Cq. Disnaker Jepara Untuk pekerjaan yang di alih-daya kan (*Outsource*).
- 4.4 Surat Pemberitahuan ke Disnaker Jepara untuk pekerjaan jasa pemborongan.
- 4.5 *Copy* Perjanjian kerja antara perusahaan dengan masing-masing karyawan.